

# CHAMPION

**GLOBAL POWER EQUIPMENT** TM-MC

OWNER'S MANUAL & OPERATING INSTRUCTIONS

## Electric Start **DUAL FUEL INVERTER GENERATOR**

ENGLISH

SVENSKA

DEUTSCH

U.S. Patent No. D710,802



NORSK

SUOMEN KIELI

This manual covers the following models:

**73001I-DF (EU/SC)**

**SAVE THESE INSTRUCTIONS**  
Important safety instructions  
are included in this manual.

# INTRODUCTION

---

## Introduction

Congratulations on purchasing your inverter generator. Please follow these instructions and maintain it correctly.

## Portable Power Generator

This unit is a petrol engine driven AC generator used for supply electrical power.

## Accessories

CPE manufactures and supplies a series of accessories. See local dealer for more information.

## This Booklet

We reserve the right to change, alter or improve the product and this manual without prior notice.

---

Record the model and serial numbers as well as date and place of purchase for future reference. Have this information available when ordering parts and when making technical or warranty inquiries.

Champion Power Equipment Support	
Model Number	
Serial Number	
Date of Purchase	
Purchase Location	

Please familiarize yourself with the following symbols. The safety symbol and key words are safety warnings. Follow all safety messages to avoid accidents or injury.

## DANGER

DANGER indicates an imminently hazardous situation which, if not avoided, **will** result in death or serious injury.

## WARNING

WARNING indicates a potentially hazardous situation which, if not avoided, **could** result in death or serious injury.

## CAUTION

CAUTION indicates a potentially hazardous situation which, if not avoided, **may** result in minor or moderate injury.

## CAUTION

CAUTION used without the safety alert symbol indicates a potentially hazardous situation which, if not avoided, **may** result in property damage.

## NOTE

If you have questions regarding your generator, we can help. Please contact your local dealer.

# SAFETY RULES

## WARNING

Read this manual thoroughly before operating your generator. Failure to follow instructions could result in serious injury or death.

## WARNING

The engine exhaust from this product contains chemicals that are known to cause serious health problems and even death.

## DANGER

Generator exhaust contains carbon monoxide, a colourless, odourless, poison gas. Breathing carbon monoxide will cause nausea, dizziness, fainting or death. If you start to feel dizzy or weak, get to fresh air immediately.

Operate generator outdoors only in a well ventilated area.

DO NOT operate the generator inside any building, including garages, basements, crawlspaces and sheds, enclosure or compartment, including the generator compartment of a recreational vehicle. DO NOT allow exhaust fumes to enter a confined area through windows, doors, vents or other openings.

**DANGER CARBON MONOXIDE:** using a generator indoors **CAN KILL YOU IN MINUTES.**

## DANGER

Generator produces powerful voltage.

DO NOT touch bare wires or receptacles.

DO NOT use electrical cords that are worn, damaged or frayed.

DO NOT operate generator in wet weather.

DO NOT allow children or unqualified persons to operate or service the generator

Use a ground fault circuit interrupter (GFCI) in damp areas and areas containing conductive material such as metal decking.

Use approved transfer equipment to isolate generator from your electric utility and notify your utility company before connecting your generator to your power system.

## WARNING

Sparks can result in fire or electrical shock.

### **When servicing the generator:**

Disconnect the spark plug wire and place it where it cannot contact the plug.

DO NOT check for spark with the plug removed.

Use only approved spark plug testers.

## WARNING

Running engines produce heat. Severe burns can occur on contact.

Combustible material can catch fire on contact.

DO NOT touch hot surfaces.

Avoid contact with hot exhaust gases.

Allow equipment to cool before touching.

Maintain at least 3 ft. (91.4 cm) of clearance on all sides to ensure adequate cooling.

Maintain at least 5 ft. (1.5 m) of clearance from combustible materials.



## **WARNING**

### Medical and Life Support Uses.

In case of emergency, call emergency services.  
NEVER use this product to power life support devices or life support appliances.  
NEVER use this product to power medical devices or medical appliances.  
Inform your electricity provider immediately if you or anyone in your household depends on electrical equipment to live.  
Inform your electrical provider immediately if a loss of power would cause you or anyone in your household to experience a medical emergency.

## **WARNING**

Operation of this equipment may create sparks that can start fires around dry vegetation.

A spark arrester may be required. The operator should contact local fire agencies for laws or regulations relating to fire prevention requirements.

## **DANGER**

Rotating parts can entangle hands, feet, hair, clothing and/or accessories.  
Traumatic amputation or severe laceration can result.

Keep hands and feet away from rotating parts.  
Tie up long hair and remove jewelry.  
Operate equipment with guards in place.  
DO NOT wear loose-fitting clothing, dangling drawstrings or items that could become caught.

## **WARNING**

Rapid retraction of the starter cord will pull hand and arm towards the engine faster than you can let go. Unintentional startup can result in entanglement, traumatic amputation or laceration.  
Broken bones, fractures, bruises or sprains could result.

When starting engine, pull the starter cord slowly until resistance is felt and then pull rapidly to avoid kickback.  
DO NOT start or stop the engine with electrical devices plugged in.

## **CAUTION**

Exceeding the generator's running capacity can damage the generator and/or electrical devices connected to it.

DO NOT overload the generator.  
Start the generator and allow the engine to stabilize before connecting electrical loads.  
Connect electrical equipment in the off position, and then turn them on for operation.  
Turn electrical equipment off before stopping the generator.  
DO NOT tamper with the governed speed.  
DO NOT modify the generator in any way.

## **CAUTION**

Improper treatment or use of the generator can damage it, shorten its life and void your warranty.

Use the generator only for intended uses.  
Operate only on level surfaces.  
DO NOT expose generator to excessive moisture, dust, or dirt.  
DO NOT allow any material to block the cooling slots.  
If connected devices overheat, turn them off and disconnect them from the generator.  
DO NOT use the generator if:  
– Electrical output is lost  
– Equipment sparks, smokes or emits flames  
– Equipment vibrates excessively

# SAFETY RULES

## Fuel Safety

### **DANGER**

**PETROL, PETROL VAPORS AND LIQUID PETROLEUM GAS (LPG) ARE HIGHLY FLAMMABLE AND EXPLOSIVE.**

Fire or explosion can cause severe burns or death. Unintentional startup can result in entanglement, traumatic amputation or laceration.

#### **Petrol and Petrol Vapors (Petrol):**

- PETROL IS HIGHLY FLAMMABLE AND EXPLOSIVE.
- Petrol can cause a fire or explosion if ignited.
- Petrol is a liquid fuel but it's vapors can ignite.
- Petrol is a skin irritant and needs to be cleaned up immediately if spilled on skin or clothes.
- Petrol has a distinctive odor, this will help detect potential leaks quickly.
- In any petrol fire, flames should not be extinguished unless by doing so the fuel supply valve can be turned OFF. This is because if a fire is extinguished and a supply of fuel is not turned OFF, then an explosion hazard could be created.
- Petrol expands or contracts with ambient temperatures. Never fill the petrol tank to full capacity, as petrol needs room to expand if temperatures rise.

#### **Liquefied Petroleum Gas (Propane/LPG):**

- LPG (PROPANE) IS HIGHLY FLAMMABLE AND EXPLOSIVE.
- Flammable gas under pressure can cause a fire or explosion if ignited.
- LPG (propane) is heavier than air and can settle in low places while dissipating.
- LPG (propane) has a distinctive odor added to help detect potential leaks quickly.
- In any petroleum gas fire, flames should not be extinguished unless by doing so the fuel supply valve can be turned OFF. This is because if a fire is extinguished and a supply of fuel is not turned OFF, then an explosion hazard could be created.
- When exchanging LPG cylinders, be sure the cylinder valve is of the same type.
- Always keep the LPG cylinder in an upright position.
- LPG will burn skin if it comes in contact with it.

Keep any and all LPG away from skin at all times.

#### **When adding or removing Petrol:**

Turn the generator off and let it cool for at least two minutes before removing the fuel cap. Loosen the cap slowly to relieve pressure in the tank. Only fill or drain fuel outdoors in a well-ventilated area. DO NOT pump petrol directly into the generator at the petrol station. Use an approved container to transfer the fuel to the generator. DO NOT overfill the fuel tank. Always keep fuel away from sparks, open flames, pilot lights, heat and other sources of ignition. DO NOT light or smoke cigarettes.

#### **When starting the generator:**

DO NOT attempt to start a damaged generator. Make certain that the petrol cap, air filter, spark plug, fuel lines and exhaust system are properly in place. Allow spilled fuel to evaporate fully before attempting to start the engine. Make certain that the generator is resting firmly on level ground.

#### **When operating the generator:**

DO NOT move or tip the generator during operation. DO NOT tip the generator or allow fuel or oil to spill.

#### **When transporting or servicing the generator:**

Make certain that the fuel shutoff valve is in the off position and the fuel tank is empty. Make certain that a LPG cylinder is not attached to generator and is securely stowed away. Disconnect the spark plug wire.

#### **When storing the generator:**

Store away from sparks, open flames, pilot lights, heat and other sources of ignition. Do not store generator, petrol or LPG cylinder near furnances, water heaters, or any other appliances that produce heat or have automatic ignitions.

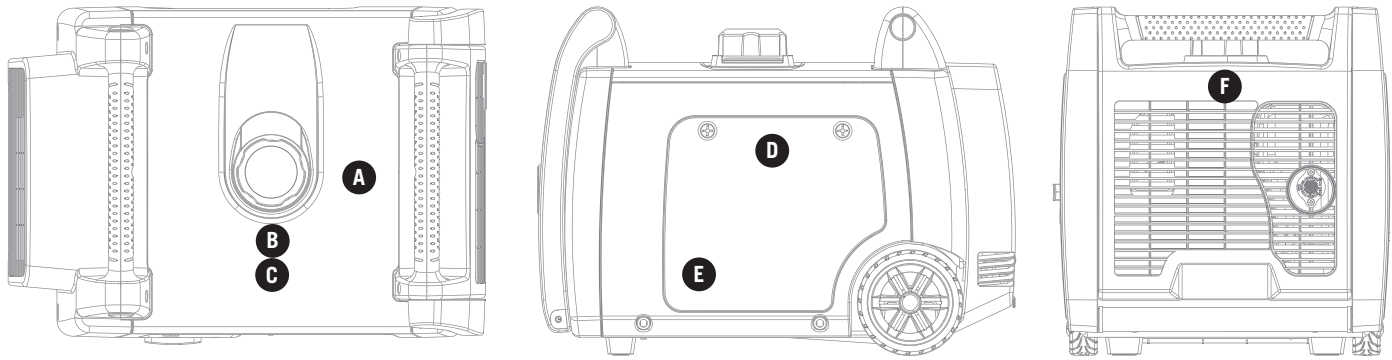
### **WARNING**

Never use a petrol container, LPG connector hose, petrol tank, LPG cylinder or any other fuel item that is damaged or appears damaged.

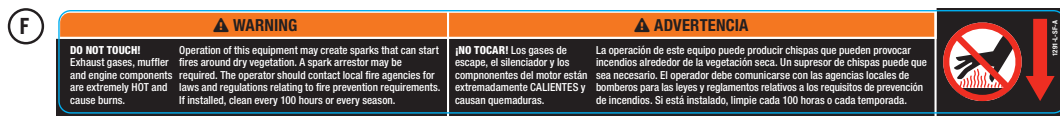
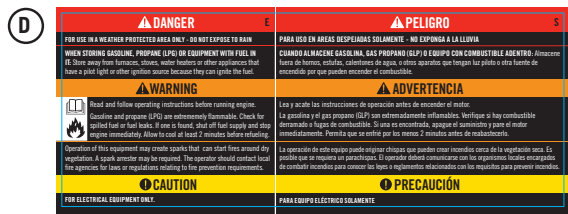
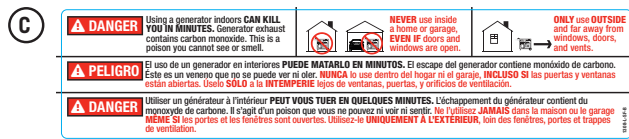
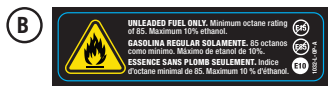
## Safety Label Locations

These labels warn you of potential hazards that can cause serious injury. Read them carefully.

If a label comes off or becomes hard to read, contact your local dealer's customer service department for possible replacement.



EN



# ASSEMBLY

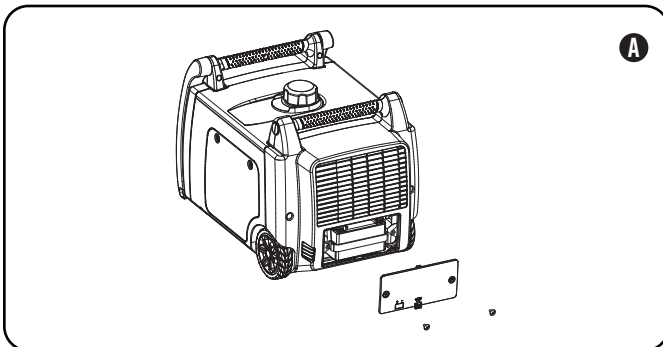
Your generator requires some assembly. This unit ships from our factory without oil. It must be properly serviced with fuel and oil before operation.

## Remove the Generator from the Shipping Carton

1. Set the shipping carton on a solid, flat surface.
2. Remove everything from the carton except the generator.
3. Using the carrying handles of the unit, carefully remove the generator from the box. (two people lifting is recommended)

## Connecting the Battery (Electric Start Models)

1. Using a screwdriver, remove the two (2) maintenance cover screws from the battery maintenance cover. (A)
2. Once the screws have been removed, the rubber pull-tab on the cover can be pulled out to help loosen and dislodge the maintenance cover. (A)
3. Remove the battery maintenance cover. (A)



4. Cut zip tie that is binding the battery cables together.
5. Using a screwdriver, unscrew the battery bolt in the red, positive (+) battery terminal.
6. Connect the red, positive (+) wire lead to the positive (+) terminal on the battery using the bolt.
7. Pull rubber sheath over battery cable connection and battery terminal.
8. Repeat steps 5-7 for the black, negative (-) battery wire lead and black, negative (-) battery terminal.

## Connecting the Battery Cont'd.

### NOTE

If the battery cables are not visible once the battery maintenance cover has been removed, please note that cables may be tucked up above the battery, not in plain view.

## Add Engine Oil

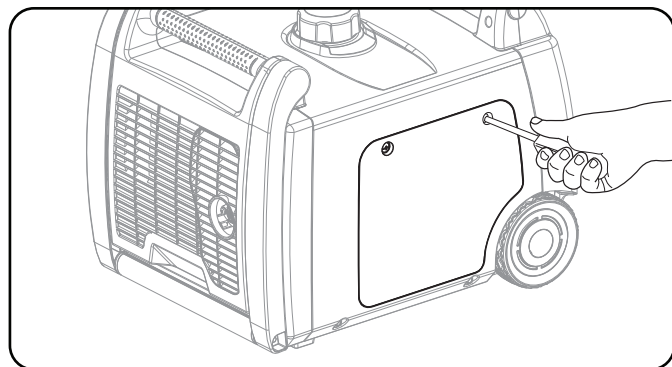
### CAUTION

DO NOT attempt to crank or start the engine before it has been properly filled with the recommended type and amount of oil. Damage to the generator as a result of failure to follow these instructions will void your warranty.

### NOTE

The recommended oil type is 10W-30 automotive oil.

1. Place the generator on a flat, level surface.
2. Loosen the cover screws and remove the maintenance cover.



3. Remove oil fill cap/dipstick to add oil.
4. Add oil and replace oil fill cap/dipstick. DO NOT OVERFILL.
5. Check engine oil level daily and add as needed.

### NOTE

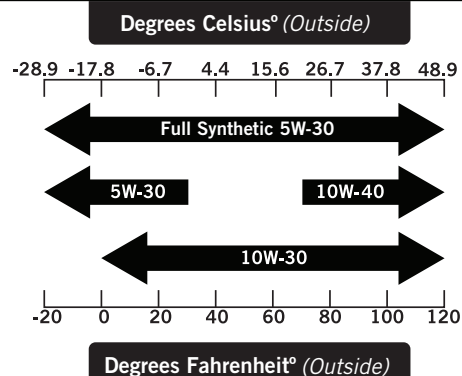
Once oil has been added, a visual check should show oil about 1-2 threads from running out of the fill hole.

If using the dipstick to check oil level, DO NOT screw in the dipstick while checking.

### NOTE

Check oil often during the break-in period. Refer to the Maintenance section for recommended service intervals.

## Add Engine Oil Cont'd.



### CAUTION

The engine is equipped with a low oil shut-off and will stop when the oil level in the crankcase falls below the threshold level.

EN

### NOTE

The generator rotor has a sealed, pre-lubricated ball bearing that requires no additional lubrication for the life of the bearing.

### NOTE

We consider the first 5 hours of run time to be the break-in period for the unit. During the break in period stay at or below 50% of the running watt rating and vary the load occasionally to allow stator windings to heat and cool. Adjusting the load will also cause engine speed to vary and help seat piston rings. After the 5 hour break-in period, change the oil.

### NOTE

Synthetic oil may be used after the 5 hour initial break-in period. Using synthetic oil does not increase the recommended oil change interval.

### NOTE

Weather will affect engine oil and engine performance. Change the type of engine oil used based on weather conditions to suit the engine needs.

# ASSEMBLY

## Add Fuel (Petrol)

1. Use clean, fresh, regular unleaded fuel with a minimum octane rating of 85 and an ethanol content of less than 10% by volume.
2. DO NOT mix oil with fuel.
3. Clean the area around the fuel cap.
4. Remove the fuel cap.
5. Slowly add fuel to the tank. DO NOT OVERFILL. Fuel can expand after filling. A minimum of 1/4 in. (6.4 mm) of space left in the tank is required for fuel expansion, more than 1/4 in. (6.4 mm) is recommended. Fuel can be forced out of the tank as a result of expansion if it is overfilled, and can affect the stable running condition of the product. When filling the tank, it is recommended to leave enough space for the fuel to expand.
6. Screw on the fuel cap and wipe away any spilled fuel.

### CAUTION

Use regular unleaded petrol with a minimum octane rating of 85.

Do not mix oil and petrol.

Fill tank to approximately 1/4 in. (6.4 mm) below the top of the tank to allow for fuel expansion.

DO NOT pump petrol directly into the generator at the petrol station. Use an approved container to transfer the fuel to the generator.

DO NOT fill fuel tank indoors.

DO NOT fill fuel tank when the engine is running or hot.

DO NOT overfill the fuel tank.

DO NOT light cigarettes or smoke when filling the fuel tank.

### WARNING

Pouring fuel too fast through the fuel screen may result in blow back of fuel at the operator while filling.

## Add Fuel Cont'd.

### NOTE

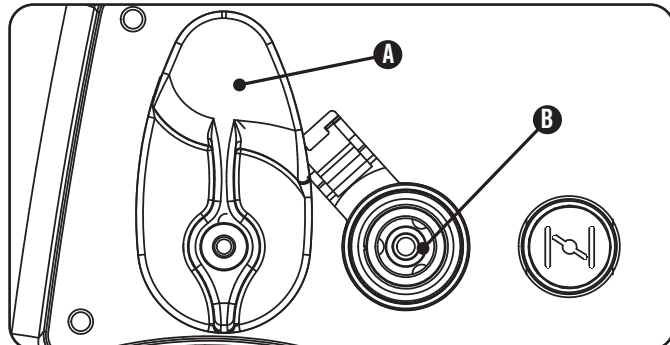
Our engines work well with 10% or less ethanol blend fuels. When using blended fuels there are some issues worth noting:

- Ethanol-petrol blends can absorb more water than petrol alone.
- These blends can eventually separate, leaving water or a watery goo in the tank, fuel valve and carburetor.
- With gravity-fed fuel supplies, this compromised fuel can be drawn into the carburetor and cause damage to the engine and/or potential hazards.
- There are only a few suppliers of fuel stabilizer that are formulated to work with ethanol blend fuels.
- Any damages or hazards caused by using improper fuel, improperly stored fuel, and/or improperly formulated stabilizers, are not covered by manufacture's warranty.

It is advisable to always shut off the fuel supply, run the engine to fuel starvation and drain the tank when the equipment is not in use for more than 30 days.

## Connecting the Propane (LPG) Cylinder

1. Make sure the fuel selector switch on the inverter is in the 12 o'clock (vertical) position. (A)
2. Using your fingers, slide the outer barrel back on the LPG quick connect hose fitting (B).
3. While the outer barrel is in the back position, insert the LPG hose (included) into the inlet and release the outer barrel. The barrel will automatically return and lock the hose in the inlet.
4. Remove the safety plug or cap from the cylinder valve.
5. Attach the other end of the hose to the LPG cylinder and hand tighten.
6. Check all connections for leaks by wetting the fittings with a solution of soap and water. Bubbles which appear or bubbles which grow indicate that a leak exists. If a leak exists at a fitting then turn off the gas valve at the tank and tighten the fitting. Turn the gas back on and recheck the fitting with the soap and water solution. If the leak continues or if the leak is not at a fitting then do not use the generator and contact customer service.



### NOTE

- Use only standard 20 or 30 pound capacity LP tanks with Type 1, right hand Acme threads.
- Verify the requalification date on the tank has not expired.
- All new cylinders must be purged of air and moisture prior to filling. Used cylinders that have not been plugged or kept closed must also be purged.
- The purging process should be done by a LPG supplier. (Cylinders from an exchange supplier should have been purged and filled properly already).
- Always position the cylinder so the connection between the valve and the gas inlet won't cause sharp bends or kinks in the hose.

## Connecting LPG Cylinder Cont'd.

### CAUTION

Do not allow children to tamper or play with the cylinder or hose connections.

### ! CAUTION

Use approved LPG cylinders equipped with an OPD (overfilling prevention device) valve. Always keep the cylinder in a vertical position with the valve on top and installed at ground level on a flat surface. Cylinders must not be installed near any heat source and should not be exposed to sun, rain, and dust. When transporting and storing, turn off the cylinder valve and fuel valve, and disconnect the cylinder. Plug the outlet, usually by a plastic protective cap, if one is available. Keep cylinders away from heat and ventilated when in a vehicle.

EN

### ! WARNING

If there is a strong smell of gas: Close off the gas supply at the cylinder. Use soapy water, which will produce a large bubble at the point of any leak, to check the hose, and connections on the cylinder valve and the generator. Do not smoke or light a cigarette, or check for leaks using a match, open flame source or lighter. Contact a qualified technician to inspect and repair the LPG system if a leak is found, before using the generator.

## Grounding

Your generator must be properly connected to an appropriate ground to help prevent electric shock.

### ! WARNING

Failure to properly ground the generator can result in electric shock.

A ground terminal connected to the frame of the generator has been provided on the power panel. For remote grounding, connect a length of heavy gauge (12 AWG minimum) copper wire between the generator ground terminal and a copper rod driven into the ground. We strongly recommend that you consult with a qualified electrician to ensure compliance with local electrical codes.



# OPERATION

## Generator Location

NEVER operate the generator inside any building, including garages, basements, crawlspaces and sheds, enclosure or compartment, including the generator compartment of a recreational vehicle. Please consult your local authority. In some areas, generators must be registered with the local utility. Generators used at construction sites may be subject to additional rules and regulations. Generators should be on a flat, level surface at all times (even while not in operation). Generators must have at least 5 ft. (1.5 m) of clearance from all combustible material. In addition to clearance from all combustible material, generators must also have at least 3 ft. (91.4 cm) of clearance on all sides to allow for adequate cooling, maintenance and servicing. Generators should never be started or operated in the back of a SUV, camper, trailer, in the bed of a truck (regular, flat or otherwise), under staircases/stairwells, next to walls or buildings, or in any other location that will not allow for adequate cooling of the generator and/or the muffler. DO NOT contain generators during operation. Allow generators to properly cool before transport or storage. Place the generator in a well-ventilated area. DO NOT place the generator near vents or intakes where exhaust fumes could be drawn into occupied or confined spaces. Carefully consider wind and air currents when positioning generator.

**Failure to follow proper safety precautions may void manufacturer's warranty.**

### WARNING

Do not operate or store the generator in rain, snow, or wet weather.

Using a generator or electrical appliance in wet conditions, such as rain or snow, or near a pool or sprinkler system, or when your hands are wet, could result in electrocution.

### WARNING

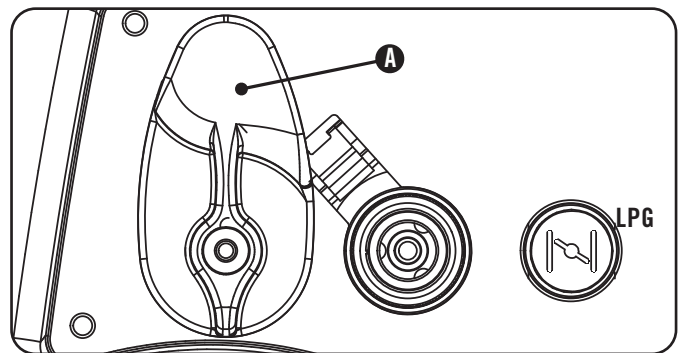
During operation the muffler and exhaust fumes produced will become hot. If adequate cooling and breathing space are not supplied, or if the generator is blocked or contained, temperatures can become extremely heated and may lead to fire.

## Grounding

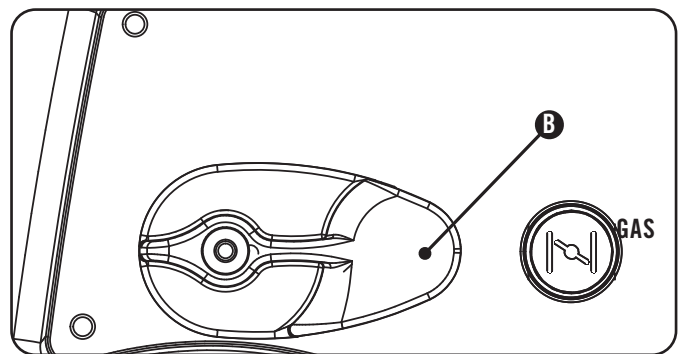
The generator system ground connects the frame to the ground terminals on the power panel. The system ground is connected to the AC neutral wire.

## Fuel Selector Switch

The fuel selector switch on the front panel of the inverter is designed to choose the desired fuel source—Petrol or LPG. To select the desired fuel source, simply rotate the selector switch to the fuel symbol on the panel. Turn the fuel selector switch to the 12 o'clock (vertical) position for LPG operation. (A)



Turn the fuel selector switch to the 3 o'clock (horizontal) position for petrol operation. (B)



### NOTE

When the fuel selector switch is in the 3 o'clock position, the petrol fuel valve is OPEN. To CLOSE the petrol fuel valve, turn the selector switch to the 12 o'clock position.



## Starting the Inverter

### CAUTION

If the ignition switch is held down in the "Start" position longer than 5 seconds it could damage the starter.

### NOTE

The supplied 12V 7AH battery does re-charge while the engine is running, but it is also recommended that the battery be fully charged at least once per month.

### NOTE

When the battery switch is in the "ON" position, the switch will light up if the battery is sending out a charge. If the switch does not light up while in the "ON" position, check that the battery connection is still good.

### NOTE

If the engine starts but does not continue to run make certain that the generator is on a flat, level surface. The engine is equipped with a low oil sensor that will prevent the engine from running when the oil level falls below a critical threshold.

## Petrol

### NOTE

The generator will NOT START with petrol without battery charge or an appropriate connection.

1. Make certain the generator is on a flat, level surface.
2. Disconnect all electrical loads from the generator. Never start or stop the generator with electrical devices plugged in or turned on.
3. Turn the fuel selector switch to the "Horizontal" position.
4. Pull the choke out to the "CHOKE" position.
5. Push the ignition switch to the "ON" position.
6. Push the battery switch to the "ON" position.
7. ELECTRIC START: Press and hold the ignition switch to the "START" position. Release as the engine begins to start. If the engine fails to start within five seconds, release the switch and wait at least ten seconds before attempting to start the engine again.
8. RECOIL START: Pull the starter cord slowly until resistance is felt and then pull rapidly.
9. Do not over-choke. Allow the engine to warm up several seconds before gradually pushing the choke to the "RUN" position..

### NOTE

Keep choke in "Choke" position for only 1 pull of the recoil starter. After first pull, push choke in for up to the next 3 pulls of the recoil starter. Too much choke leads to sparkplug fouling/engine flooding due to the lack of incoming air. This will cause the engine not to start.

# OPERATION

## LPG

1. Make certain the generator is on a flat, level surface.
2. Disconnect all electrical loads from the generator.  
Never start or stop the generator with electrical devices plugged in or turned on.
3. Turn the fuel selector switch to the "Vertical" position and connect LPG hose.
4. Fully open the LPG cylinder fuel knob.
5. Push the ignition switch to the "ON" position.
6. Push the battery switch to the "ON" position.
7. ELECTRIC START: Pull the choke to the "Choke" position.
8. Press and hold the ignition switch to the "START" position. Release as the engine begins to start. If the engine fails to start within five seconds, release the switch and wait at least ten seconds before attempting to start the engine again.
9. Do not over-choke. Allow the engine to warm up several seconds before gradually pushing the choke to the "RUN" position.
10. RECOIL START: Pull the choke to the "Choke" position.
11. PULL-TO-PRIME: Pull the starter cord slowly until resistance is felt and then pull rapidly. Pull with choke out 1-2 times until you feel a few combustion pulses that indicates that the engine momentarily started.
12. Push the choke in.
13. Pull the starter cord slowly until resistance is felt and then pull rapidly.
14. If engine fails to start in 1-pull with choke in the "RUN" position, then pull choke out and repeat the PULL-TO-PRIME step.

## Starting LPG Cont'd.

### NOTE

Observing frost on LPG containers and regulators is common during operation and normally is not an indication of a problem. As LPG vaporizes and travels from the tank to the generator engine it expands. The amount of frost that forms can be affected by the size of the container, the amount of fuel being used, the humidity of the air and other operating conditions. In unusual situations this frost may eventually restrict the flow of gas to the generator resulting in deteriorating performance. For example, if the tank temperature is reduced to a very low level then the rate at which the LPG vaporizes is also reduced and may not provide sufficient fuel flow to the engine. This is not an indication of a problem with the generator but only a problem with the flow of gas from the LPG container. If generator performance seems to be deteriorating at the same time that ice formation is observed on tank valve, hose or regulator then some actions may be taken to eliminate this symptom.

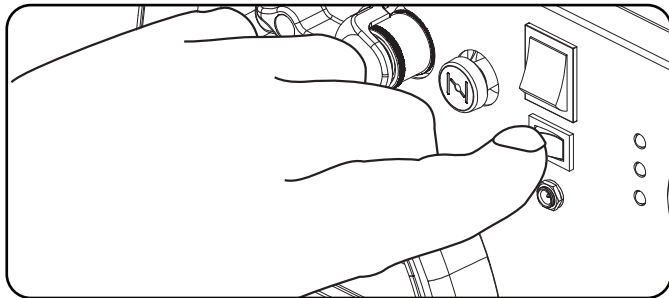
In these rare situations it can be helpful to reduce or eliminate the cold fuel system effects by doing one of the following:

- Exchanging fuel tanks to allow the first tank to warm up, repeating as necessary
- Placing the LPG container at the end of the generator near the handle, where engine fan air flows out from the generator. This air is slightly heated by flowing over the engine. The container should not be placed in the path of the muffler outlet.
- The container can be temporarily warmed by pouring warm water over the top of the tank.

## Economy Control Switch

The Economy Control switch can be activated in order to minimize fuel consumption and noise while operating the unit during times of **reduced electrical output**, allowing the engine speed to idle during periods of non-use.

The engine speed returns to normal when an electrical load is connected. When the economy switch is off, the engine runs at normal speed continuously.



### **WARNING**

For periods of high electrical load or momentary fluctuations, the Economy Control Switch should be turned OFF.

## 12V DC Outlet

The 12V DC outlet can be used with the supplied charge cable and USB charger and other commercially available 12V DC automotive style plugs. The DC output is unregulated and can damage some products. Confirm your accessory input voltage range is at least 12-24V DC. When using the DC outlet turn the Economy mode switch to the “OFF” position.

### **WARNING**

Do not operate a device while it is plugged in to the 12V DC outlet.

Prolonged exposure to engine exhaust can cause serious injury or death.

### **WARNING**

While charging a device do not place on the exhaust side of the generator. Extreme heat caused by exhaust can damage the device, and cause a potential fire hazard.

## Connecting Electrical Loads

1. Let the engine stabilize and warm up for a few minutes after starting
2. Plug in and turn on the desired 120 Volt AC single phase, 60 Hz electrical loads.
  - DO NOT connect 3-phase loads to the generator.
  - DO NOT connect 50 Hz loads to the generator.
  - DO NOT overload the generator.

### **NOTE**

Connecting a generator to your electric utility company's power lines or to another power source may be against the law. In addition this action, if done incorrectly, could damage your generator and appliances and could cause serious injury or even death to you or a utility worker who may be working on nearby power lines. If you plan to run a portable electric generator during an outage, please notify your electric utility company immediately and remember to plug your appliances directly into the generator. Do not plug the generator into any electric outlet in your home. Doing so could create a connection to the utility company power lines. You are responsible for ensuring that your generator's electricity does not feed back into the electric utility power lines.

If the generator will be connected to a building electrical system, consult your local utility company or a qualified electrician. Connections must isolate generator power from utility power and must comply with all applicable laws and codes.

## Parallel Operation

Two (2) Champion model 73001I-DF (EU) generators can be operated in parallel to increase the total available electrical power. A Champion model CPGPARKIT3K parallel kit (optional equipment) is required for parallel operation. For kit availability, call customer service at your local dealer.

Detailed instructions for parallel kit installation and operation of the connected generators are provided in the parallel kit owner's manual and operating instructions.

# OPERATION

## Do Not Overload Generator

### Capacity

Follow these simple steps to calculate the running and starting watts necessary for your purposes.

1. Select the electrical devices you plan on running at the same time.
2. Total the running watts of these items. This is the amount of power you need to keep your items running.
3. Identify the highest starting wattage of all devices identified in step 1. Add this number to the number calculated in step 2. Surge wattage is the extra burst of power needed to start some electric driven equipment. Following the steps listed under "Power Management" will guarantee that only one device will be starting at a time.

### Power Management

Use the following formula to convert voltage and amperage to watts:

$$\text{Volts} \times \text{Amps} = \text{Watts}$$

To prolong the life of your generator and attached devices, follow these steps to add electrical load:

1. Start the generator with no electrical load attached.
2. Allow the engine to run for several minutes to stabilize.
3. Plug in and turn on the first item. It is best to attach the item with the largest load first.
4. Allow the engine to stabilize.
5. Plug in and turn on the next item.
6. Allow the engine to stabilize.
7. Repeat steps 5-6 for each additional item.

#### **NOTE**

Never exceed the specified capacity when adding loads to the generator.

## Stopping the Engine

1. Turn off and unplug all electrical loads. Never start or stop the generator with electrical devices plugged in or turned on.
2. Let the generator run at no-load for several minutes to stabilize internal temperatures of the engine and generator.
3. Turn the Fuel Valve to the "OFF" position if operating by petrol.
4. Turn the LPG cylinder knob to the "CLOSE" or off position if operating by LPG.
5. Let the engine run until fuel starvation has stopped the engine. This usually takes a few minutes.
6. Press the ignition switch to the "OFF" position.
7. Turn battery switch to the "Off" Position.

**Important:** Always ensure that the fuel valve and the ignition switch are in the "OFF" position when the engine is not in use.

#### **NOTE**

When turning off the generator after LPG operation, make sure the LPG cylinder knob is in the fully closed position.

#### **NOTE**

If the engine will not be used for a period of two (2) weeks or longer, please see the Storage section for proper engine and fuel storage.

#### **NOTE**

Always turn the battery switch to the "OFF" position when unit is not in use, this will stop the battery from being drained. Follow the maintenance and storage instructions for the generator and battery when the unit will not be used for a period of 2 weeks or more.

## Operation at High Altitude

The density of air at high altitude is lower than at sea level. Engine power is reduced as the air mass and air-fuel ratio decrease. Engine power and generator output will be reduced approximately 3½% for every 1000 ft. of elevation above sea level. This is a natural trend and cannot be changed by adjusting the engine. At high altitudes increased exhaust emissions can also result due to the increased enrichment of the air fuel ratio. Other high altitude issues can include hard starting, increased fuel consumption and spark plug fouling.

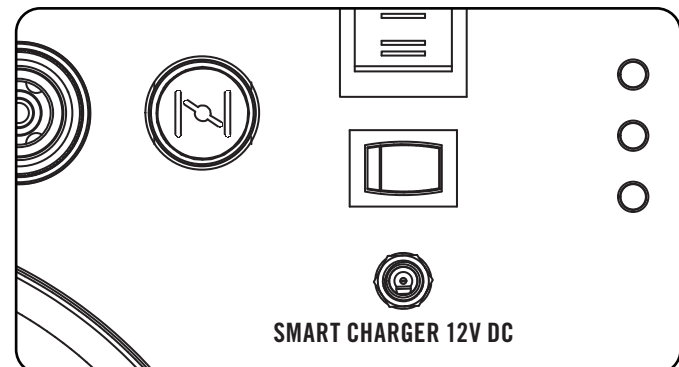
## Overload Operation

The overload indicator light will turn on when the rated load is exceeded. When the maximum load is reached, the LED will blink and cut power to the receptacles. To recover the power, shut down the engine, wait until the light turns off and restart the generator.

## Smart Charger

The smart charger (included) is a device that is used to charge the generator battery. The smart charger plugs into the generator, into the DC input on the front panel, and then into a household outlet power source. There is a light on the charger. If the battery is in need of a charge or charging then the red light will light up. If the battery is good and not in need of charging or has completed charging then the green light will light up. The smart charger is programmed not to charge or to stop charging when the light is green. This is a safety feature that will help prevent damage to the battery and generator.

EN



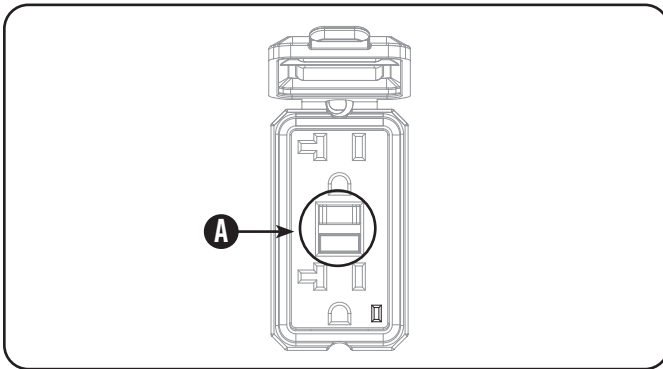
### NOTE

If the battery is completely dead, and won't hold a charge, then the smart charger can be plugged into a power source to enable power to the choke.

# OPERATION

## GFCI

Your generator is equipped with two (2) Ground Fault Circuit Interrupter (GFCI) duplexes. In the event of a ground fault, a GFCI trips automatically to stop the flow of electricity and prevent serious injury. The green indicating light on the receptacle will also turn off. Press the reset button located on the front of the receptacle to restore flow of electricity. (A) The green indicating light will also turn back on. GFCI does not protect against circuit overloads.



To ensure proper operation of the GFCI duplex, perform this test monthly:

1. With the generator running, plug a lamp into the GFCI receptacle. Turn the lamp on.
2. Press the “Test” button located on the front of the receptacle to trip the device. (A) This should immediately stop the flow of electricity and shut off the lamp. If the electricity is not stopped, do not use this receptacle until it has been serviced or replaced.
3. Press the “Reset” button located on the front of the receptacle to restore the flow of electricity. If the indicator light does not go out and come back on or if the GFCI cannot be reset then it must be replaced.

## WARNING

For the GFCI receptacles to work properly the neutral wire must be bonded to ground or to the generator frame. Your Champion generator comes with the neutral wire already bonded to the frame. If the bonding wire is removed then the GFCI receptacles will no longer function as designed. If the neutral bonding wire is removed to accommodate a transfer switch installation for connection to a house or building, then the transfer switch must not switch off the neutral connection to ground within the building. Champion Power Equipment recommends that you consult with a licensed, local electrician. Due to the variety of local codes, we cannot specifically advise you regarding modifications to the wiring of your portable generator.

# MAINTENANCE AND STORAGE

The owner/operator is responsible for all periodic maintenance.

## ⚠ WARNING

Never operate a damaged or defective generator.

## ⚠ WARNING

Tampering with the factory set governor will void your warranty.

## ⚠ WARNING

Improper maintenance will void your warranty.

## NOTE

Maintenance, replacement, or repair of emission control devices and systems may be performed by any non-road engine repair establishment or individual.

Complete all scheduled maintenance in a timely manner. Correct any issue before operating the generator.

## Engine Maintenance

To prevent accidental starting, remove and ground spark plug wire before performing any service.

### Oil

Change oil when the engine is warm. Refer to the oil specification to select the proper grade of oil for your operating environment.

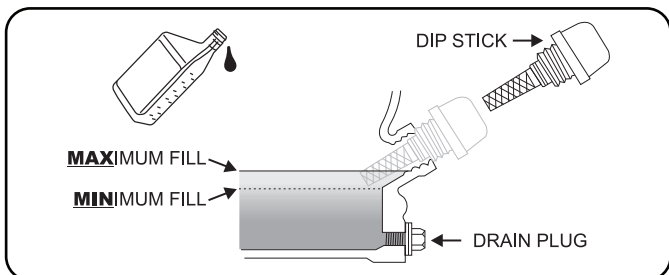
1. Set the generator on top of a work bench or table.
2. Loosen the cover screws and remove the maintenance cover.
3. Pop up the rubber maintenance plug, from below the drain bolt.
4. Remove the drain bolt.
5. Tilt the generator on its side and allow the oil to drain completely.
6. Replace the drain bolt.
7. Add standard engine oil and replace oil fill cap/dipstick. DO NOT OVERFILL.

### Oil Cont'd.

8. Reinstall the maintenance cover and tighten the cover screws.
9. Dispose of used oil at an approved waste management facility.

## NOTE

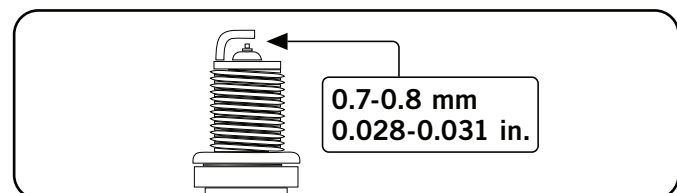
Once oil has been added, a visual check should show oil about 1-2 threads from running out of the fill hole. If using the dipstick to check oil level, DO NOT screw in the dipstick while checking.



EN

### Spark Plugs

1. Remove the spark plug cable from the spark plug.
2. Use a spark plug socket tool or socket (not included) to remove the plug.
3. Inspect the electrode on the plug. It must be clean and not worn to produce the spark required for ignition.
4. Make certain the spark plug gap is 0.7 - 0.8 mm or (0.028 - 0.031 in.).
5. Refer to the spark plug recommendation chart when



6. replacing the plug.
6. Carefully thread the plug into the engine.
7. Use the spark plug socket (not included) to firmly install the plug.
8. Attach the spark plug wire to the plug.

### 73001i-DF(EU)

OEM spark plug: NHSP F6RTC

Replacement spark plug: NGK BPR6ES or equivalent

Make certain the \*spark plug gap is 0.7 - 0.8 mm or (0.028 - 0.031 in.).

### Maintenance Valve Clearance

- Intake: 0.06 - 0.12 mm (0.002 - 0.005 in.)
- Exhaust: 0.08 - 0.14 mm (0.003 - 0.006 in.)

# MAINTENANCE AND STORAGE

## Air Filter

1. Remove the maintenance cover.
2. Locate the air filter plastic cover.
3. Unsnap the locking hinge on the cover.
4. Remove the old filter.
5. Place the new filter in the assembly.
6. Re-snap the hinge on the air filter cover.
7. Reinstall the maintenance cover and tighten the cover screw securely.

## Cleaning

### ⚠ CAUTION

**DO NOT** spray generator with water.

Water can contaminate the fuel system.

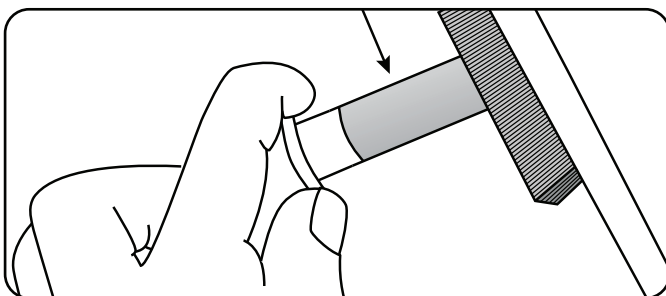
Use a damp cloth to clean exterior surfaces of the generator.

Use a soft bristle brush to remove dirt and oil.

Use an air compressor (25 PSI) to clear dirt and debris from the generator.

## Spark Arrester

1. Allow the engine to cool completely before servicing the spark arrester.
2. Remove the two screws holding the cover plate which retains the end of the spark arrester to the muffler.
3. Remove the spark arrester screen.
4. Carefully remove the carbon deposits from the spark arrester screen with a wire brush.
5. Replace the spark arrester if it is damaged.
6. Position the spark arrester in the muffler and attach with the two screws.



### ⚠ CAUTION

Failure to clean the spark arrester will result in degraded engine performance.

## Adjustments

The air-fuel mixture is not adjustable. Tampering with the governor can damage your generator and your electrical devices and will void your warranty.

## Maintenance Schedule

Follow the service intervals indicated in the following maintenance schedule.

Service your generator more frequently when operating in adverse conditions.

Every 8 hours or daily	
	Check oil level
	Clean around air intake and muffler
	Check hoses for leaks
First 5 hours	
	Change oil
Every 50 hours or every season	
	Clean air filter
	Change oil if operating under heavy load or in hot environments
Every 100 hours or every season	
	Change oil
	Clean/Adjust spark plug
	Check/Adjust valve clearance*
	Clean spark arrester
	Clean fuel tank and filter*
Every 250 hours	
	Clean combustion chamber*
Every 3 years	
	Replace fuel line and LPG hose

\*To be performed by knowledgeable, experienced owners or Champion Power Equipment certified dealers.



## Generator Battery

This product is equipped with an automatic battery charging circuit. The battery will receive charging voltage when the engine is running. The battery will maintain a proper charge if the unit is used on a regular basis (about once every two weeks). If it is used less frequently, the battery should be connected to a trickle charger (included) or battery maintainer to keep the battery properly charged. If the battery is not able to start the engine, it can be started by manually pulling the engine recoil cord. If the battery voltage is extremely low, the charging circuit may not be able to re-charge the battery. In this case, the battery must be connected to a standard automotive style battery charger for re-charging before it can be used.

## Charge the Battery

For a generator equipped with batteries for electric starting, proper battery maintenance and storage should be followed. An automatic battery charger (included) with automatic charging capability should be used to charge the battery. Maximum charging rate should not exceed 1.5 amps. Follow the instructions included with the battery charger. The battery should be fully charged at least once per month.

### NOTE

A Float Charger will maintain the battery condition over long storage periods.

## Disconnect the Battery

1. Remove the battery panel cover.
2. Remove the protective cover from the black/negative battery lead.
3. Disconnect the black/negative lead from the black/negative terminal on the battery and store the cap screw and nut.
4. Repeat steps 1-2 for the red/positive battery lead.
5. Store the battery in a cool, dry place.

## Generator Maintenance

Make certain that the generator is kept clean and stored properly. Only operate the unit on a flat, level surface in a clean, dry operating environment. DO NOT expose the unit to extreme conditions, excessive dust, dirt, moisture or corrosive vapours.

Use a damp cloth to clean exterior surfaces of the generator.

Use a soft bristle brush to remove dirt and oil.

Use an air compressor (25 PSI) to clear dirt and debris from the generator.

Inspect all air vents and cooling slots to ensure that they are clean and unobstructed.

### CAUTION

DO NOT use a garden hose to clean the generator.

Water can enter the generator through the cooling slots and damage the generator windings.

EN

# MAINTENANCE AND STORAGE

---

## Storage

The generator should be started at least once every 14 days and allowed to run for at least 20 minutes. For longer term storage, please follow these guidelines.

### Generator Storage

1. Add a properly formulated fuel stabilizer to the tank.
2. Be sure all appliances are disconnected from the generator.
3. Run the generator for a few minutes so the treated fuel cycles through the fuel system and carburetor.
4. Turn the fuel valve to the "Off" position.
5. Let the generator run until fuel starvation has stopped the engine. This usually takes a few minutes.
6. The generator needs to cool completely before cleaning and storage.
7. Remove the spark plug cap, then pull the recoil grip 3 times to drain the petrol from the carburetor jets.
8. Change the engine oil.
9. Remove the spark plug and pour about a tablespoon of oil into the cylinder. Crank the engine slowly to distribute the oil and lubricate the cylinder.
10. Reattach the spark plug.
11. Store the unit in a clean, dry place out of direct sunlight.

### **DANGER**

Generator exhaust contains odorless and colorless carbon monoxide gas.

To avoid accidental or unintended ignition of your electric start generator during periods of storage, the following precautions should be followed:

- When storing the generator for short periods of time make sure that the ignition switch, the fuel valve and the battery switch are set in the OFF position.
- When storing the generator for extended periods of time make sure that the ignition switch, the fuel valve and the battery switch are set in the the OFF position and the battery leads have been disconnected from the battery.

# TROUBLESHOOTING

Problem	Cause	Solution
Generator will not start	No fuel	Add fuel
	Faulty spark plug	Replace spark plug
	Unit loaded during start up	Remove load from unit
Generator will not start; Generator starts but runs roughly	Low oil level	Fill crankcase to the proper level
		Place generator on a flat, level surface
	Choke in the wrong position	Adjust choke
Generator will not start electrically	Generator battery is dead	Recharge generator battery
	Battery switch is in the "OFF" position	Turn battery switch to "ON" position
Generator shuts down during operation	Out of fuel	Fill fuel tank
	Low oil level	Fill crankcase to the proper level. Place generator on a flat, level surface
Generator cannot supply enough power or overheating	Generator is overloaded	Review load and adjust. See "Power Management"
	Insufficient ventilation	Check for air restriction. Move to a well ventilated area
No AC output	Cable not properly connected	Check all connections
	Connected device is defective	Replace defective device
	Circuit breaker is open	Reset circuit breaker
	Loose wiring	Inspect and tighten wiring connections
	Other	Contact the help line
Repeated circuit breaker tripping	Overload	Review load and adjust. See "Power Management"
	Faulty cords or device	Check for damaged, bare or frayed wires. Replace defective device

EN

# INTRODUKTION

---

## Introduktion

Grattis till att ha köpt denna invertergenerator. Vårda och ta hand om den korrekt.

## Portabel strömgenerator

Denna enhet är en bensinmotordriven växelströmgenerator som används för att generera elektrisk ström.

## Tillbehör

CPE tillverkar och tillhandahåller en mängd olika tillbehör. Se din lokala handlare för mer information.

## Denna broschyr

Vi förbehåller oss rätten att ändra eller förbättra produkten eller denna manual utan vidare förvarning.

---

Notera modell- och serienummer samt datum och inköpsställe för framtida behov. Ha denna information tillgänglig vid beställning av reservdelar och vid tekniska eller garantiförfrågningar.

Champion Power Equipment support
Modellnummer
Serienummer
Inköpsdatum
Inköpsplats

# MANUELLA KONVENTIONER

Vänligen gör dig bekant med följande symboler. Säkerhetssymbolen och nyckelorden är säkerhetsvarningar. Följ alla säkerhetsmeddelanden för att undvika olyckor eller personskador.

## DANGER

FARA anger en omedelbart farlig situation som, om den inte undviks, **kommer att** leda till död eller allvarlig personskada.

## WARNING

FARA anger en potentiellt farlig situation som, om den inte undviks, **kan** leda till död eller allvarlig personskada.

## CAUTION

FARA anger en potentiellt farlig situation som, om den inte undviks, **kan** leda till mindre eller måttliga personskador.

## CAUTION

WARNING utan symbolen för säkerhetsvarning anger en potentiellt farlig situation som, om den inte undviks, **kan** leda till skador på egendom.

## NOTE

Om du har frågor om din generator kan vi hjälpa dig. Vänligen kontakta din lokala handlare.

SV

# SÄKERHETSBESTÄMMELSER

## WARNING

Läs denna manual noggrant innan du använder din generator. Att avvika från instruktionerna kan leda till allvarliga skador eller död.

## WARNING

Avgaserna från den här produkten innehåller kemikalier som är dokumenterat skadliga för hälsan eller t.o.m. dödliga.

## DANGER

Generatoravgaser innehåller kolmonoxid som är en färglös, doftfri, giftig gas. Att andas in kolmonoxid kommer att orsaka illamående, yrsel, svimning eller död. Om du börjar känna dig yr eller svag, se till att få frisk luft omedelbart.

Använd generatormotorn utomhus och på en väl ventilerad plats.

ANVÄND INTE generatormotorn inomhus. Detta inkluderar garage, källare, kryputrymmen, förråd, inhägnader eller avdelningar samt generatorutrymmen i husbilar eller husvagnar.

LÅT INTE avgasångor tränga in i stängda utrymmen genom fönster, dörrar, ventiler eller andra öppningar.

**KOLMONOXIDVARNING:** att använda en generator inomhus **KAN DÖDA DIG PÅ ETT PAR MINUTER.**

## DANGER

Generatormotorn producerar kraftfull spänning.

RÖR INTE nakna sladdar eller kärl.

ANVÄND INTE elektriska sladdar som är slitna, skadade eller trasiga.

ANVÄND INTE generatormotorn i vått väder.

TILLÅT INTE att barn eller okvalificerade personer hanterar eller genomför underhåll på generatormotorn.

Använd en säkerhetsbrytare på fuktiga ställen eller på ställen med strömförande material såsom metallunderlag.

Använd godkänd överföringsutrustning för att isolera generatormotorn från dina elektriska verktyg och meddela ditt elbolag innan du ansluter din generator till elnätet.

## WARNING

Gnistor kan resultera i brand eller elektriska stötar.

### Vid underhåll av generatormotorn:

Koppla ifrån sladden till tändstiftet och placera den så att den inte kan komma i kontakt med tändstiftet.

Undersök INTE om det bildas gnistor när tändstiftet är borttaget.

Använd endast godkända testare av tändstift.

## WARNING

Att köra motorer som producerar hetta. Allvarliga skador kan uppstå vid kontakt.

Brännbart material kan fatta eld vid kontakt.

VIDRÖR INTE heta ytor.

Undvik kontakt med heta avgaser.

Låt utrustning svalna av innan den vidrörs.

Se till att hålla ett avstånd på minst 91,4 cm (ca 3 ft.) på alla sidor för att säkerställa tillräcklig avkyllning.

Se till att hålla ett avstånd på minst 1,5 meter (ca 5 ft.) från brännbart material.

## **WARNING**

Medicinsk och livsuppehållande användning.

Kontakta larmassistans omedelbart i händelse av en olycka.

ANVÄND ALDRIG den här produkten för att driva livsuppehållande enheter eller apparater.

ANVÄND ALDRIG den här produkten för att driva medicinska enheter eller apparater.

Informera din elleverantör omedelbart om någon i ditt hushåll är beroende av elektrisk utrustning för att överleva.

Informera din elleverantör omedelbart om någon i ditt hushåll skulle uppleva en medicinsk kris utan tillgänglig elektricitet.

## **WARNING**

Användning av den här utrustningen kan generera gnistor som kan starta brand i torr vegetation.

Ett gnistskydd kan krävas. Användaren bör kontakta den lokala brandskyddsmyndigheten beträffande gällande brandskyddsbestämmelser.

## **DANGER**

Roterande delar kan trassla in händer, fötter, hår, kläder och/eller accessoarer.

Traumatiska amputationer eller allvarliga skärsår kan uppstå.

Se till att hålla händer och fötter borta från roterande delar.

Sätt upp långt hår och ta bort smycken.

Använd utrustning med skydd på plats.

ANVÄND INTE löst sittande kläder, hängande snören eller andra saker som kan fastna eller ryckas in.

## **WARNING**

Den snabba rekylen av startsnöret kan slita med sig hand och arm mot motorn snabbare än du hinner släppa taget.

Oavsiktlig start kan resultera i intrassling, traumatisk amputation eller skärsår.

Brutna ben, frakturer, blåmärken eller stukningar kan bli resultatet.

När du ska starta motorn, dra startsnöret långsamt tills du känner motstånd och dra då snabbt för att undvika rekyl.

STARTA eller STANNA INTE motorn med några elektriska enheter anslutna.

## **CAUTION**

Att överstiga generatorns driftkapacitet kan skada generatoren och/eller de elektriska enheter som är kopplade till den.

ÖVERBELASTA INTE generatoren.

Starta generatoren och låt motorn stabiliseras innan du ansluter någon elektrisk belastning.

Anslut elektrisk utrustning när den är avstängd och sätt sedan på den efter anslutning.

Stäng av elektrisk utrustning innan du stänger av generatoren.

MIXTRA INTE med den reglerade hastigheten.

MODIFIERA INTE generatoren på något vis.

## **CAUTION**

Olämplig hantering eller användning av din generator kan skada den, förkorta dess livslängd och göra garantin ogiltig.

Använd endast generatoren på avsett sätt.

Använd endast på jämn och platt mark.

UTSÄTT INTE generatoren för överdriven fukt, damm eller smuts.

LÅT INTE något material blockera ventilationsöppningarna.

Om anslutna enheter överhettas ska de stängas av och kopplas bort från generatoren.

ANVÄND INTE generatoren om:

- Den inte alstrar någon elektricitet
- Utrustningen ger gnistor, rök eller eld
- Utrustningen vibrerar överdrivet

# SÄKERHETSBESTÄMMELSER

## Bränslesäkerhet

### DANGER

#### **BENSIN, BENSINÅNGOR OCH GASOL ÄR MYCKET BRANDFARLIGA OCH EXPLOSIVA.**

Brand eller explosion kan orsaka allvarliga brännskador eller död.

Oavsiktlig start kan resultera i intrassling, traumatisk amputation eller skärsår.

#### **Bensin och bensinångor:**

- BENSIN ÄR MYCKET BRANDFARLIG OCH EXPLOSIV.
- Bensin kan orsaka brand eller explosion vid antändning.
- Bensin är ett flytande bränsle men dess ångor kan antändas.
- Bensin är hudirriterande och måste tvättas bort omedelbart om den spillts på hud eller kläder.
- Bensin har en distinkt lukt, vilket hjälper till att upptäcka potentiella läckor snabbt.
- Vid bensinbrand får flammorna inte släckas om man inte först kan stänga AV bränsletillförselventilen. Detta beror på att det kan uppstå explosionsrisk om en brand släcks och bränsleförsörjningen inte är avstängd.
- Bensin expanderar eller dras ihop med omgivande temperaturer. Fyll aldrig bensintanken till full kapacitet, eftersom bensin behöver utrymme att expandera om temperaturen stiger.

#### **Gasol (propan/LPG):**

- GASOL (PROPAN) ÄR MYCKET BRANDFARLIG OCH EXPLOSIV.
- Brandfarlig gas under tryck kan orsaka brand eller explosion vid antändning.
- Gasol (propan) är tyngre än luft och kan sätta sig på låga ställen när den släpps ut.
- Gasol (propan) har getts en distinkt lukt, vilket hjälper till att upptäcka potentiella läckor snabbt.
- Vid petroleumgasbrand får flammorna inte släckas om man inte först kan stänga AV bränsletillförselventilen. Detta beror på att det kan uppstå explosionsrisk om en brand släcks och bränsleförsörjningen inte är avstängd.
- Kontrollera att cylinderventilen är av samma typ vid byte av gasolcylindrar.

- Håll alltid gasolcylindern i upprätt läge.
- Gasol bränner huden om den kommer i kontakt med den. Håll alltid gasol på borta från huden.

#### **Vid påfyllning eller tömning av petroleum:**

Stäng av generatorn och låt den svalna i minst två minuter innan du tar bort locket till bränslet. Lossa försiktigt på locket för att släppa ut trycket ur tanken. Fyll eller töm endast utomhus på en väl ventilerad plats. PUMPA INTE bensin direkt in i generatorn på bensinstationen. Använd en godkänd behållare för att fylla på bränslet i generatorn. ÖVERFYLL INTE bränsletanken. Se alltid till att hålla bränsle borta från gnistor, öppen eld, glöd, hetta eller andra antändningskällor. TÄND INTE eller rök cigaretter.

#### **Vid start av generatorn:**

Försök ALDRIG att starta en skadad generator. Se till att bensinlocket, luftfiltret, tändstiften, bränsleslangar och avgassystem sitter ordentligt på plats. Låt utspillt bränsle att dunsta bort ordentligt innan du försöker starta motorn. Se till att generatorn står stadigt på platt mark.

#### **Vid användning av generatorn:**

FLYTТА eller TIPPA INTE generatorn under användning. TIPPA INTE generatorn eller låt bränsle eller olja att spillas ut.

#### **Vid transport eller underhåll av generatorn:**

Se till att bränslets avstängningsventil är stängd och att bränsletanken är tom. Se till att en gasolcylinder inte är ansluten till generatorn och att den förvaras på ett säkert sätt. Koppla ifrån sladden till tändstiftet.

#### **Vid förvaring av generatorn:**

Förvara borta från gnistor, öppen eld, glöd, hetta eller andra antändningskällor. Förvara inte generator, bensin eller gasolcylinder nära ugnar, vattenvärmare eller andra apparater som producerar värme eller som tänds automatiskt.

### WARNING

Använd aldrig en bensinbehållare, gasolanslutningsslang, bensintank, gasolcylinder eller annat bränsleobjekt som är skadat eller ser skadat ut.

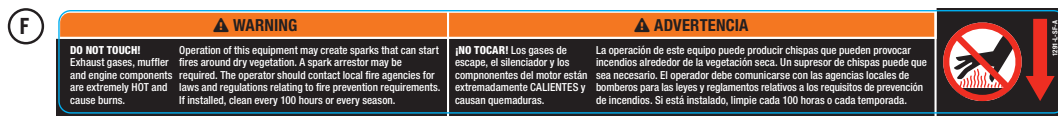
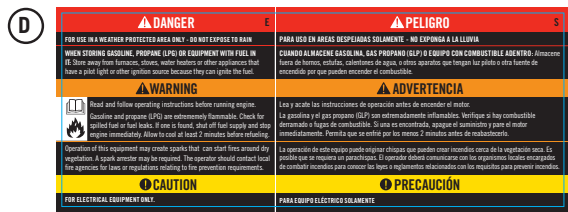
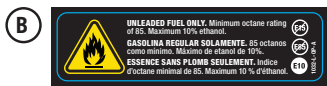
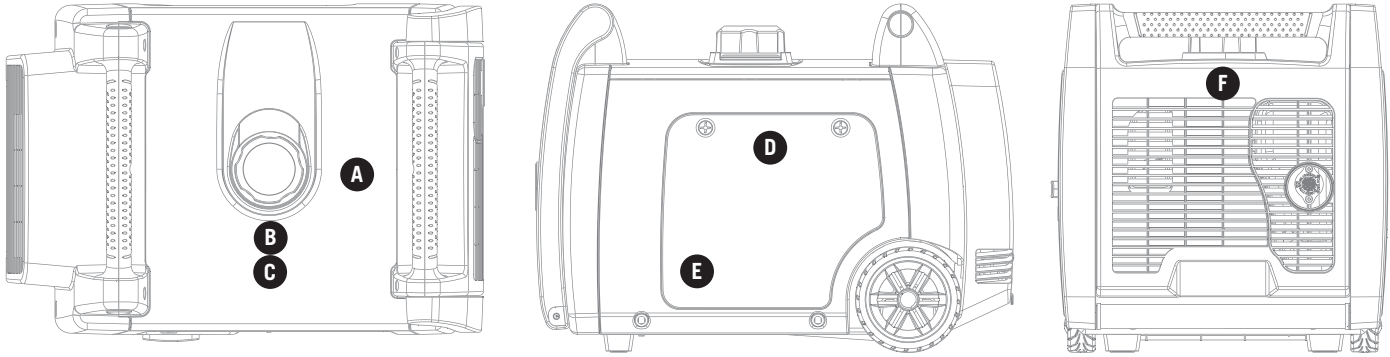


# SÄKERHETSBESTÄMMELSER

## Placering av säkerhetsdekalerna

Dessa dekaler varnar dig för potentiella faror som kan leda till allvarliga skador. Läs dem noga.

Om en dekal lossnar eller blir svår att läsa bör du kontakta din lokala återförsäljares kundservice för eventuellt byte.



SV

# MONTERING

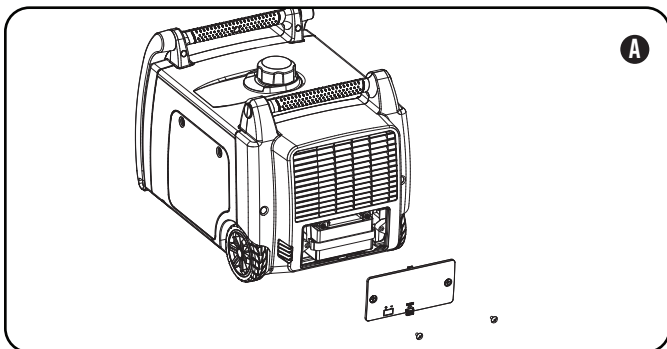
Din generator kräver en viss montering. Denna enhet levereras från vår fabrik utan olja. Den måste underhållas ordentligt med bränsle och olja innan den används.

## Ta bort generatorm från leveransförpackningen.

1. Placera leveransförpackningen på en stabil platt yta.
2. Ta bort allting från kartongen förutom generatorm.
3. Använd bärhandtagen på enheten för att försiktigt lyfta ut generatorm ur lådan. (Det rekommenderas att två personer lyfter.)

## Anslut batteriet (elektriska startmodeller)

1. Använd en skruvmejsel för att ta bort de två skruvarna från batteriets underhållsskydd. (A)
2. När skruvarna har tagits bort kan dragfliken av gummi på skyddet dras ut för att hjälpa till att lossa och lösgöra underhållsskyddet. (A)
3. Ta bort batteriets underhållsskydd. (A)
4. Klipp av buntbandet som håller ihop batteriets kablar.



5. Använd en skruvmejsel för att ta loss batteribulten på den röda plusterminalen (+) på batteriet.
6. Anslut den röda pluspolen (+) till den röda plusterminalen (+) på batteriet med hjälp av bulten.
7. Dra gummiskyddet över batterikabelns anslutning och batteriterminalen.
8. Upprepa steg 5-7 för den svarta minuspolen (-) och den svarta minusterminalen (-) på batteriet.

## Ansluta batteriet, forts.

### NOTE

Om batteriets kablar inte syns när batteriets underhållsskydd har tagits bort så kan det innebära att kablarna har fästs upp ovanför batteriet och inte är direkt synliga.

## Fyll på motorolja.

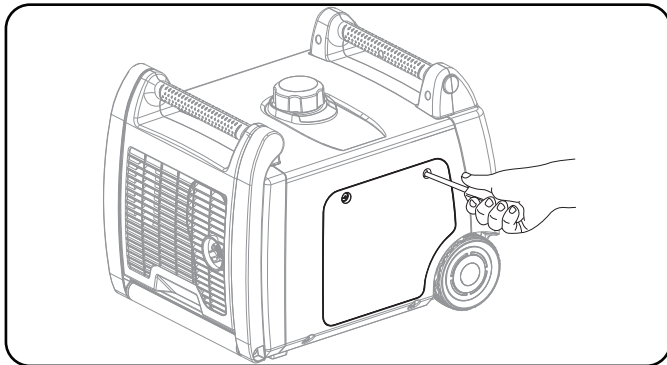
### ! CAUTION

FÖRSÖK INTE starta eller dra igång motorn innan den har fyllts på ordentligt med rekommenderad mängd och typ av olja. Skador på generatoren till följd av att dessa instruktioner inte har följts gör garantin ogiltig.

### NOTE

Den rekommenderade oljetypen är 10W-30 motorolja.

1. Placera generatoren på en platt jämn yta.
2. Lossa på skyddets skruvar och ta bort underhållsskyddet.



3. Ta bort oljelocket och oljestickan för att fylla på olja.
4. Fyll på olja och återställ oljestickan och oljelocket. ÖVERFYLL INTE.
5. Kontrollera oljenivåerna dagligen och fyll på vid behov.

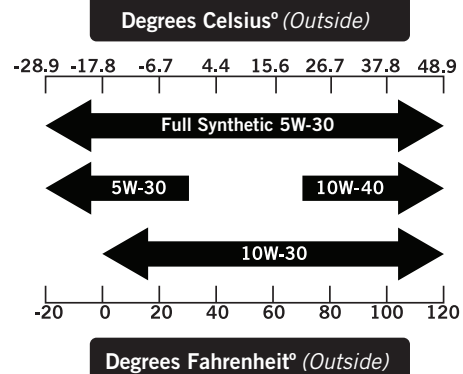
### NOTE

När oljan har fyllts på bör en avsyning visa olja upp till ca 1-2 gängor från att rinna ut ur påfyllningshålet. Om du använder en oljesticka för att kontrollera oljan ska du INTE skruva fast oljestickan när du gör kontrollen.

### NOTE

Kontrollera oljan ofta under inkörningsperioden. Se avsnittet om underhåll för rekommenderat underhållsintervall.

## Fyll på motolja, forts.



### CAUTION

Motorn är utrustad med en lågnivåavstängning och kommer att stanna när oljenivån i växellådan kommer under gränsvån.

### NOTE

Generators rotor har ett förseglat, smörjt kullager som inte kräver någon ytterligare smörjning under kullagrets hela livslängd.

### NOTE

Vi anser att de första fem körtimmarna är inkörningsperiod för enheten. Kör på eller under 50% av wattbelastningen under inkörningsperioden och variera belastningen då och då för att låta statorspiralerna hettas upp och svalna av. Att justera belastningen kommer också att låta motorhastigheten att variera, vilket hjälper kolringarna att sätta sig. Byt olja efter de första 5 timmarnas inkörningsperiod.

### NOTE

Syntetisk olja får användas efter de första 5 timmarnas inkörningsperiod. Använd av syntetisk olja förlänger inte det rekommenderade intervallet för byte av olja.

### NOTE

Vädret kommer att påverka motoroljan och dess funktion. Byt oljetyp för att anpassa till rådande väderlek och för att passa motorns behov.

# MONTERING

## Fyll på bränsle (bensin)

1. Använd rent, nytt, standard blyfritt bränsle med en lägsta oktanhalt på 85 och en etanolhalt på mindre än 10 % per volym.
2. **BLANDA INTE** olja och bränsle.
3. Rengör området runt bränslelocket.
4. Skruva av bränslelocket.
5. Fyll försiktigt på bränsle i tanken. **ÖVERFYLL INTE.** Bränsle kan expandera efter påfyllning. Minst 6,4 mm (¼ in.) av utrymmet i tanken krävs för expansion och mer än 6,4 mm (¼ in.) rekommenderas. Bränsle kan tvingas ut ur tanke som en följd av expansion om det överfylls och det kan påverka en jämn drift av produkten. När tanken fylls på rekommenderas att lämna tillräckligt med utrymme för bränslet att expandera.
6. Skruva på bränslelocket och torka bort eventuellt spillt bränsle.

### ! CAUTION

Använd vanlig oblyad bensin med en lägsta oktanhalt på 85.

Blanda inte olja och bensin.

Fyll upp tanken till ca 6,4 mm (¼ in.) från tankens överdel för att tillåta att bränslet expanderar.

**PUMPA INTE** bensin direkt in i generatoren på bensinstationen. Använd en godkänd behållare för att fylla på bränslet i generatoren.

**FYLL INTE** på bränsletanken inomhus.

**FYLL INTE** på bränsletanken när motorn är igång eller mycket varm.

**ÖVERFYLL INTE** bränsletanken.

**TÄND INTE** cigaretter eller rök när du fyller på bränsletanken.

### ! WARNING

Att fylla på bränslet för fort genom bränslesilen kan leda till att bränslet slår tillbaka på användaren under påfyllning.

## Fyll på bränsle, forts.

### NOTE

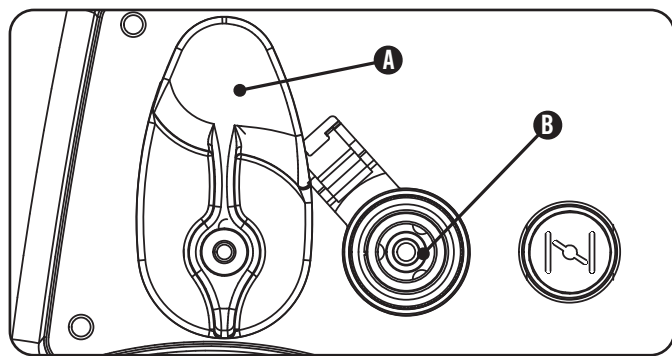
Våra motorer fungerar bra med 10 % eller mindre etanolblandat bränsle. Vid användning av bränsleblandningar är några saker värda att notera:

- Etanol- och bensinblandningar kan absorbera mer vatten än endast bensin.
- Dessa blandningar kan eventuellt separera och lämna vatten eller en vattenliknande gegga i tanken, bränsleventilen och förgasaren
- Med en bränsleförsörjning som matas genom gravitation kan detta försämrade bränsle dras in i förgasaren och orsaka skada på motorn och/eller orsaka potentiell fara.
- Det finns endast ett fåtal leverantörer av bränslestabilisatorer som kan hantera etanolblandat bränsle.
- Alla skador eller faror som uppkommer genom användning av olämpligt bränsle, dåligt förvarat bränsle och/eller dåligt fungerande stabilisatorer täcks inte av tillverkarens garanti.

Det rekommenderas att stänga av bränsletillförseln och sedan köra motorn tills bränslet helt tar slut och helt tömma tanken om utrustningen har stått oanvänd i mer än 30 dagar.

## Anslutning av propencylinder

1. Se till att bränsleväljaren på omkopplaren är i klockan 12-läge (vertikal) (A)
2. Skjut den yttre hylsan tillbaka på gasolsnabbkopplingsslangens beslag (B) med fingrarna.
3. När den yttre hylsan befinner sig i bakåtläge infogar du gasolslangen (ingår) i inloppet och släpper den yttre hylsan. Hylsan återvänder automatiskt och låser slangen i inloppet.
4. Ta bort säkerhetspluggen eller locket från cylinder-ventilen.
5. Anslut den andra änden av slangen till gasol-cylindern och dra åt den för hand.
6. Kontrollera alla anslutningar för läckage genom att applicera en lösning av tvål och vatten på beslagen. Bubblor som uppträder eller bubblor som växer indikerar att det finns en läcka. Om det finns en läcka vid ett beslag stänger du av gasventilen vid tanken och drar åt beslaget. Slå på gasen igen och kontrollera beslaget med tvål- och vattenlösning. Du får inte använda generatoren och kontakta kundtjänst om läckan finns kvar eller den inte finns vid ett beslag.



### NOTE

- Använd endast standardgasoltankar med 9 eller 13 kilos kapacitet med typ 1, Acme-gångor till höger.
- Verifiera att nykvalificeringsdatumet på tanken inte har förfallit.
- Alla nya cylindrar måste tömmas på luft och fukt före fyllning. Använda cylindrar som inte har täppts igen eller hållits stängda måste också rengöras.
- Tömningsprocessen måste utföras av en gasolleverantör. (Cylindrar från en bytesleverantör bör redan ha tömts och fyllts på korrekt).
- Placera alltid cylindern så att anslutningen mellan ventilen och gasinloppet inte orsakar tvära böjningar eller veck i slangen.

## Anslutning av gasolcylinder, forts.

### CAUTION

Låt inte barn manipulera eller leka med cylinder eller slanganslutningarna.

### ! CAUTION

Använd godkända gasolcylindrar utrustade med en OPD-ventil (överfyllningsskydd). Håll alltid cylindern i vertikalt läge med ventilen högst upp och installerad på marknivå på en plan yta. Cylindrar får inte installeras nära någon värmekälla och bör inte utsättas för sol, regn och damm. Stäng av cylinderventilen och bränsleventilen och koppla bort cylindern vid transport och lagring. Täpp igen utloppet, vanligtvis med ett plastlock, om finns. Håll cylindrar borta från värme och ventilerade när de är i ett fordon.

SV

### ! WARNING

Om det finns en stark lukt av gas: Stäng av gasförsörjningen på cylindern. Använd tvål-vatten för att kontrollera slangen och anslutningarna på cylinderventilen och generatoren och som kommer att producera en stor bubbla vid läckagepunkten. Rök inte eller tänd en cigarett. Kontrollera inte heller läckor med hjälp av en tändsticka, öppen eldkälla eller tändare. Kontakta en kvalificerad tekniker för att inspektera och reparera gasolsystemet vid eventuellt läckage innan generatoren används.

## Jordning

Den generator måste vara korrekt ansluten till lämplig jordning för att förhindra elektrisk chock.

### ! WARNING

Om generatoren inte jordas ordentligt kan det leda till elektrisk chock.

En jordningsterminal som är ansluten till ramen på generatoren finns på strömpanelen. För fjärrjordning, anslut en kraftig koppartråd (12 AWG minimum) mellan generatorns jordningsterminal och en kopparstång som körs ner i marken. Vi rekommenderar starkt att du talar med en kvalificerad elektriker för att säkerställa att detta tillvägagångssätt följer gällande lokala elektriska standarder.

# DRIFT

## Placering av generatorn

ANVÄND INTE generatorn inomhus. Detta inkluderar garage, källare, kryputrymmen, förråd, inhägnader eller avdelningar samt generatorutrymmen i husbilar eller husvagnar. Kontakta dina lokala myndigheter. I vissa områden måste generatorer registreras hos det lokala elbolaget. Generatorer som används på byggplatser kan lyda under ytterligare lokala bestämmelser. Generatorer ska alltid stå på en plan och jämn yta (även om de inte är i drift). Generatorer måste ha minst 1,5 m (5 ft) fritt avstånd från allt brännbart material. Generatorer måste även ha minst 91,4 cm (3 ft) fritt utrymme på alla sidor för att möjliggöra avkylning, underhåll och service.

Generatorer får aldrig startas eller användas bak på en SUV, husbil, släpvagn, på lastbilsflak (vanligt, platt eller på annat sätt), under trappor/trapphus, bredvid väggar eller byggnader eller på någon annan plats som inte möjliggör tillräcklig kylning av generatorn och/eller ljuddämparen. Stäng INTE IN generatorer under drift. Låt generatorer svalna ordentligt före transport eller förvaring.

Placera generatorn i ett välventilerat område. Placera INTE generatorn nära ventiler eller inlopp där avgaser kan dras in i upptagna eller begränsade utrymmen. Undersök noga hur vind- och luftströmmar rör sig när du placerar generatorn.

**Om korrekta säkerhetsåtgärder inte följs riskerar det att tillverkarens garanti blir ogiltig.**

### ⚠ WARNING

Använd eller förvara inte generatorn i regn, snö eller våt väderlek.

Att använda en generator eller elektrisk apparat i våta omständigheter såsom regn och snö eller i närheten av en pool eller ett sprinklersystem eller när dina händer är våta kan leda till dödlig elektrisk chock.

### ⚠ WARNING

Under användning kommer ljuddämparen och avgaserna att bli heta. Om tillräcklig avkylning och luftutrymme inte finns eller om generatorn är blockerad eller instängd kan temperaturerna bli extremt höga och leda till brand.

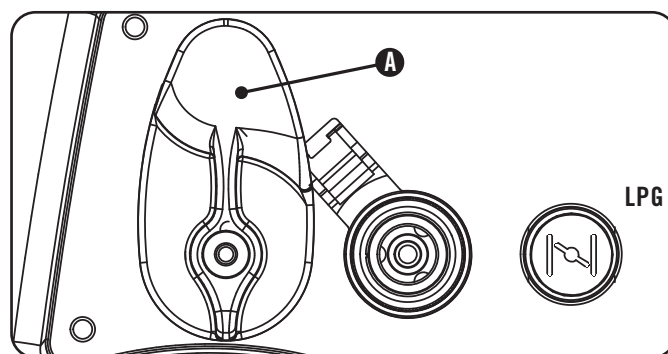
## Jordning

Generatorns jordningssystem ansluter ramen till jordterminalerna på strömpanelen. Jordningssystemet är anslutet till växelströmmens neutrala sladd.

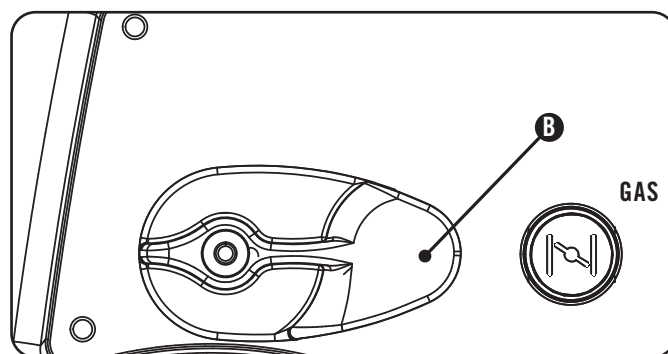
## Bränsleväljare

Bränsleväljaren på inverterarens framsida är utformad för att välja mellan önskad bränslekälla, bensin eller gasol. Vrid väljaren till bränslesymbolen på framsidan för att välja önskad bränslekälla. Vrid bränsleväljaren till klockan 12-läge (vertikalt) för gasol-drift. (A)

Vrid bränsleväljaren till klockan 3-läge (horisontellt) för



bensindrif. (B)



### NOTE

Bensinventilen är ÖPPEN när bränsleväljaren är i klockan 3-läge Vrid bränsleväljaren till klockan 12-läge för att STÄNGA bensinventilen.

## Att starta inverteraren

### CAUTION

Om tändningen hålls nere längre än 5 sekunder i läge "Start" kan det skada startaren.

### NOTE

Det bifogade 12V 7AH-batteriet laddas när motorn körs, men det rekommenderas också att batteriet laddas helt åtminstone en gång i månaden.

### NOTE

När batteriomkopplaren är i läge "ON" så tänds reglaget om batteriet skickar ut en laddning. Kontrollera att batteriet fortfarande är korrekt anslutet om reglaget inte tänds när batteriomkopplaren är i läge "ON".

### NOTE

Om motorn startar, men inte fortsätter att gå, se till att generatoren verkligen står på en platt jämn yta. Motorn är försedd med en sensor för låg oljenivå som förhindrar att motorn körs när oljenivån kommer under den kritiska nivån.

## Bensin

### NOTE

Generatoren startar INTE med bensin utan batteriladdning eller en korrekt anslutning.

1. Se till att generatoren är placerad på en platt jämn yta.
2. Koppla ifrån all elektrisk belastning från generatoren. Starta eller stanna aldrig generatoren med några elektriska enheter anslutna eller påslagna.
3. Vrid bränsleväljaren till "horisontellt" läge
4. Dra ut chokespaken till läge "CHOKE".
5. Tryck tändningen till läge "ON".
6. Tryck batteriomkopplaren till läge "ON".
7. ELEKTRISK START: Tryck ner och håll tändningen i läge "START". Släpp tändningen genast motorn startar. Om motorn inte startar inom fem sekunder, släpp tändningen och vänta i minst tio sekunder innan du försöker starta motorn på nytt.
8. START MED DRAGSNÖRE: Dra i startsnöret långsamt tills du känner motstånd och dra då snabbt.
9. Använd inte choken för mycket. Låt motorn värmas upp flera sekunder innan du trycker choken till läge "RUN".

### NOTE

Håll choken i läge "Choke" för endast en dragning med dragsnöret. Efter den första dragningen trycker du in choken i upp till de följande tre dragen med dragsnöret. För mycket choke leder till att tändstiften smutsas ner och motorn flödas på grund av bristen på inkommande luft. Det kommer att göra att motorn inte startar.



# DRIFT

## GASOL

1. Se till att generatormotorn är placerad på en platt jämn yta.
2. Koppla ifrån all elektrisk belastning från generatormotorn. Starta eller stanna aldrig generatormotorn med några elektriska enheter anslutna eller påslagna.
3. Vrid bränsleväljaren till vertikalt läge för och anslut gasolslangen.
4. Öppna gasolcylinderns knapp helt.
5. Tryck tändningen till läge "ON".
6. Tryck batteriomkopplaren till läge "ON".
7. ELEKTRISK START: Dra chokespaken till läge "Choke".
8. Tryck ner och håll tändningen i läge "START". Släpp tändningen genast motorn startar. Om motorn inte startar inom fem sekunder, släpp tändningen och vänta i minst tio sekunder innan du försöker starta motorn på nytt.
9. Använd inte choken för mycket. Låt motorn värmas upp flera sekunder innan du trycker choken till läge "RUN".
10. START MED DRAGSNÖRE: Dra chokespaken till läge "Choke".
11. PULL-TO-PRIME: Dra i startsnöret långsamt tills du känner motstånd och dra då snabbt. Dra 1-2 gånger med choken ut tills du känner ett antal förbränningsimpulser som indikerar att motorn startade tillfälligt.
12. Skjut in choken.
13. Dra i startsnöret långsamt tills du känner motstånd och dra då snabbt.
14. Om motorn inte startar efter 1 dragning med choken i "RUN", drar du ut choken och upprepar steget PULL-TO-PRIME.

## Starta gasol, forts.

### NOTE

Notera att frost på gasolbehållare och regulatorer är vanligt under drift och är normalt inte en indikation på ett problem. Gasol expanderar när den förångas och stiger från tanken till generatormotorn. Den mängd frost som bildas kan påverkas av behållarens storlek, mängden bränsle som används, luftfuktighet och andra driftsförhållanden. I ovanliga situationer kan frosten begränsa gasflödet till generatormotorn vilket resulterar i försämrad prestanda. Om tankens temperatur exempelvis sjunker till en mycket låg nivå, minskar också den hastighet vid vilken gasolen förångas, och kan inte ge tillräckligt med bränsle till motorn. Detta är inte en indikation på ett problem med generatormotorn, utan endast ett problem med gasflödet från gasolbehållaren. Om generatormotorns prestanda verkar försämrats samtidigt som isbildning upptäcks på tankventil, slang eller regulator, kan vissa åtgärder vidtas för att eliminera detta symptom.

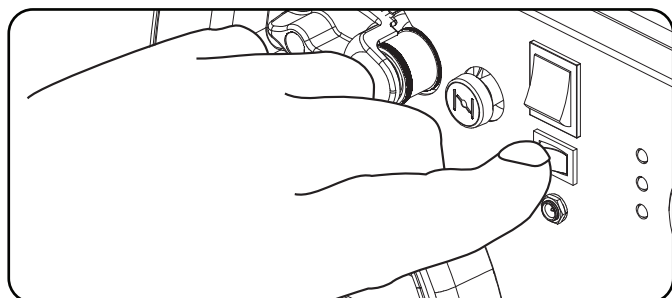
I dessa sällsynta situationer kan det vara till hjälp att minska eller eliminera effekterna av det kalla bränslesystemet genom att göra något av följande:

- Byta bränsletankar för att låta den första tanken värmas upp och upprepa vid behov
- Placera gasolbehållaren i slutet av generatormotorn nära handtaget, där luft från motorfläkten strömmar ut från generatormotorn. Denna luft upphettas en aning när den flödar över motorn. Behållaren får inte placeras i ljuddämparens utloppsväg.
- Behållaren kan värmas tillfälligt genom att hålla varmt vatten över tankens ovansida.



## Omkopplare för ekonomikontroll

Omkopplaren för ekonomikontroll kan aktiveras för att minimera bränsleförbrukning och buller när du använder enheten vid **minskad elektrisk utgång**. Detta tillåter att motorns hastighet går i viloläge när enheten inte används. Motorns hastighet återgår till det normala när en elektrisk belastning är ansluten. När omkopplaren för ekonomikontroll stängs av körs generatoren konstant i normal hastighet.



### ⚠ WARNING

Under perioder med hög elektrisk belastning eller tillfälliga strömvariationer bör omkopplaren för ekonomikontroll stängas AV.

## 12 V likströmsuttag

Det 12 V likströmsuttaget kan användas tillsammans med laddningskabeln och USB-laddaren och andra vanliga bilkontakter för 12V likström. Likströmsuttaget är oreglerat och kan skada vissa produkter. Bekräfta att ditt tillbehör inkommande spänningsområde är minst 12-24 V likström. Stäng av ekonomiläget när du använder likströmsuttaget.

### ⚠ WARNING

Använd inte enheten när den är inkopplad till ett 12V likströmsuttag.

Långvarig exponering för motoravgaser kan orsaka allvarliga skador och död.

### ⚠ WARNING

När en enhet laddas ska den inte placeras på den sidan där avgaserna kommer ut ur generatoren. Extrem hetta som orsakas av avgaser kan skada enheten och utgöra en möjlig brandrisk.

## Att ansluta elektrisk belastning

- Låt motorn stabiliseras och värmas upp i några minuter efter start.
- Koppla in och starta de önskade 240 volts, AC enkelfas, 50 Hz elektriska belastningarna.
  - ANSLUT INTE trefas belastningar till generatoren.
  - ANSLUT INTE några 60 Hz-belastningar till generatoren.
  - ÖVERBELASTA INTE generatoren.

### NOTE

Att ansluta en generator till ditt elnät eller till någon annan kraftkälla kan strida mot lagen. Förutom detta kan det, om det görs felaktigt, skada din generator och dina apparater och dessutom orsaka allvarlig skada eller t.o.m. död för dig eller eventuella elektriker eller andra som arbetar på närliggande kraftledning. Om du tänker köra en portabel elektrisk generator under ett strömavbrott, vänligen meddela ditt elbolag omedelbart och kom ihåg att koppla in dina apparater direkt till generatoren. Koppla inte in generatoren i något uttag i ditt hem. Att göra detta kan skapa en koppling till elbolagets kraftledningar. Du är ansvarig att se till att din generators elektricitet inte kopplas tillbaks in i elbolagets kraftledningar.

Om generatoren ska kopplas till en byggnads elektriska system ska du rådfråga ditt lokala elbolag eller en kvalificerad elektriker. Anslutningar måste isolera generatorkraften från kraften i elnätet och måste dessutom följa alla gällande lagar och regler.

## Parallell användning

Två (2) Champion-generatorer av modell 73001I-DF (EU) kan användas parallellt för att öka den totala mängden ström. Ett Champion-parallellpaket av modell CPGPARKIT3K (extra utrustning) krävs för parallell användning. Kontakta kundtjänst eller din lokala handlare för pakettillgänglighet.

Detaljerade instruktioner för installation av parallellpaket och drift av de anslutna generatorerna finns i parallellpaketets ägarmanual och bruksanvisning.

# DRIFT

## Överbelasta inte generatoren

### Kapacitet

Följ dessa enkla steg för att räkna ut vilken mängd watt som krävs för drift och start av de enheter du vill köra.

1. Välj de elektriska enheter som du tänker köra samtidigt.
2. Lägg ihop watt-talen för dessa enheter. Detta är den mängd watt som du behöver för att hålla dina enheter igång.
3. Notera det högsta watt-talet av de enheter som du valde i steg 1. Lägg till detta tal till summan du fick ihop i steg 2. Spänningsökning (extra watt) är den extra effekt som behövs för att starta vissa elektriskt drivna komponenter. Följ stegen i stycket "Strömhantering" för att säkerställa att endast en enhet i taget startas.

### Strömhantering

Använd följande formel för att konvertera volt och ampere till watt:

$$\text{Volt} \times \text{Ampere} = \text{Watt}$$

Följ dessa steg för att förlänga livslängden på din generator och på inkopplade enheter när du ökar på den elektriska belastningen:

1. Starta generatoren utan någon elektrisk belastning inkopplad.
2. Låt motorn köras i några minuter för att stabiliseras.
3. Koppla in och starta den första enheten. Det är bäst att koppla på den enhet som har högst belastning först.
4. Låt motorn stabilisera sig.
5. Koppla in och starta nästa enhet.
6. Låt motorn stabilisera sig.
7. Upprepa steg 5-6 för varje extra enhet.

### NOTE

Överskrid aldrig den angivna kapaciteten när du lägger till fler belastande källor till generatoren.

## Att stänga av motorn

1. Stäng av och koppla ur alla elektriska belastningar. Starta eller stanna aldrig generatoren med några elektriska enheter anslutna eller påslagna.
2. Låt generatoren köras utan belastning i några minuter för att stabilisera den interna temperaturen på motorn och generatoren.
3. Vrid bränsleventilen till läge "OFF" om generatoren drivs med bensin.
4. Vrid gasolcylinderknoppen till läge "CLOSE" eller "av" om generatoren drivs med gasol.
5. Låt motorn köras tills bristen på bränsle stoppar motorn. Detta tar vanligtvis några minuter.
6. Vrid tändningen till läge "OFF".
7. Vrid batteriomkopplaren till läge "OFF".

**Viktigt:** Se alltid till att bränsleventilen och tändningen är i läge "OFF" när motorn inte används.

### NOTE

När du stänger av generatoren efter gasoldrift, kontrollera att gasolcylinderknoppen är i helt stängt läge.

### NOTE

Om motorn inte ska användas under period på två (2) veckor eller längre, vänligen se stycket "Förvaring" för korrekt förvaring av motor och bränsle.

### NOTE

När enheten inte används, ställ alltid batteriomkopplaren till läge "OFF". Detta förhindrar att batteriet laddas ur. Följ instruktionerna i avsnittet "Underhåll och förvaring" för generatoren och batteriet när enheten inte ska användas på 2 veckor eller mer.

## Drift vid hög höjd

Lufttätheten vid hög höjd är lägre än vid havsnivån. Motoreffekten minskar när luftmassan och luftbränsleförhållandet minskar. Motoreffekten och generatorns effekt minskar cirka 3½ % för varje 300 meters (1 000 ft) höjd över havet. Detta är ett naturligt förlopp och kan inte ändras genom motorjustering. Vid höga höjder kan även avgasutsläppen öka på grund av ökad anrikning av luftbränsleförhållandet. Andra effekter av hög höjd kan vara svår start, ökad bränsleförbrukning och nedsmutsade tändstift.

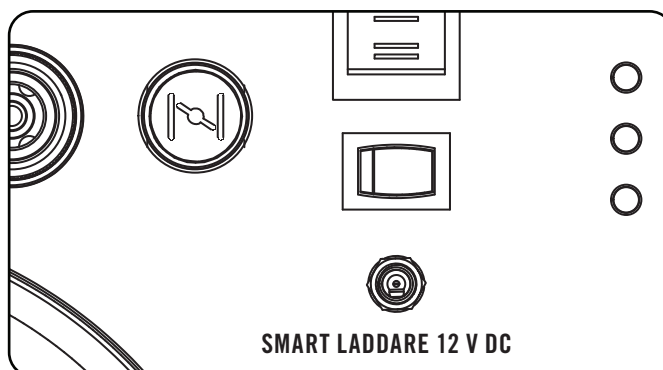
## Hantering vid överbelastning

Indikatorlampan för överbelastning tänds när den tillåtna belastningen överskrids. När den maximala belastningen har uppnåtts blinkar LED-lampan och strömmen bryts till de anslutna enheterna. För att återfå strömmen, stäng av motorn och vänta tills lampan slocknar och starta sen om generatorn.

## Smart Charger

Den smarta laddaren (ingår) är en enhet som används för att ladda generatorbatteriet. Den smarta laddaren kopplas in i generatorn via likströmsingången på framsidan, och sedan till ett hushålls uttagsströmkälla. Det finns en lampa på laddaren. Den röda lampan lyser om batteriet behöver laddning eller laddas. Den gröna lampan lyser om batteriet är fulladdat och inte behöver laddas eller laddningen har slutförts. Den smarta laddaren är programmerad att inte ladda eller att sluta ladda när lampan lyser grön. Detta är en säkerhetsfunktion som hjälper till att förhindra skador på batteriet och generatorn.

SV



### NOTE

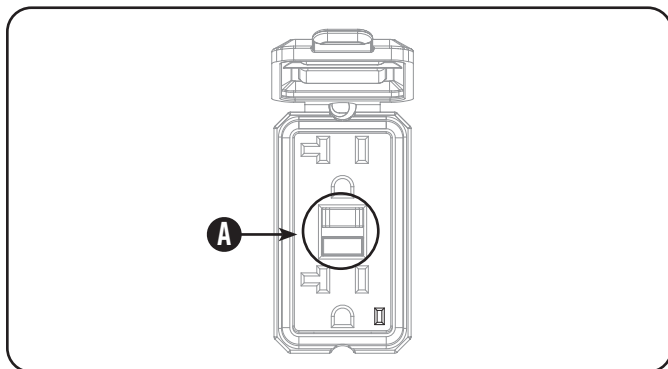
Om batteriet är helt dött kan den smarta laddaren anslutas till en strömkälla för att möjliggöra ström till choken.

# DRIFT

## GFCI

Din generator är utrustad med två (2) duplex för säkerhetsbrytare (GFCI). I händelse av jordfel utlöses en GFCI automatiskt för att stoppa elflödet och förhindra allvarlig skada. Den gröna indikeringslampan på uttaget slås också av. Tryck på återställningsknappen som finns på framsidan av uttaget för att återställa flödet av el. (A) Det gröna indikatorlampan tänds också. GFCI skyddar inte mot överbelastning av kretsar.

Utför detta test varje månad för att säkerställa korrekt funktion av den dubbla GFCI:



1. Anslut en lampa till GFCI-uttaget när generatoren är igång. Tänd lampan.
2. Tryck på testknappen som finns på framsidan av uttaget för att utlösa enheten. (A) Detta ska omedelbart stoppa elflödet och släcka lampan. Om elen inte bryts får du inte använda detta uttag förrän det har reparerats eller bytts.
3. Tryck på återställningsknappen som finns på framsidan av uttaget för att återställa flödet av el. Om indikatorlampan inte slocknar och tänds igen eller om GFCI inte kan återställas måste den bytas ut.

## WARNING

För att GFCI-uttagen ska fungera korrekt måste den neutrala tråden fästas till marken eller till generatorramen. Din Champion-generator levereras med den neutrala tråden redan fäst till ramen. Om bondtråden tagits bort fungerar inte GFCI-uttagen längre som de är ämnade. Om den neutrala bondtråden tas bort för att rymma en överkopplingsbrytarinstallation för anslutning till ett hus eller byggnad, får överkopplingsbrytaren inte stänga av den neutrala anslutningen till marken i byggnaden. Champion Power Equipment rekommenderar att du samråder med en licensierad lokal elektriker. På grund av de olika lokala koderna kan vi inte specifikt ge dig råd om ändringar i ledningsdragen hos din bärbara generator.

Ägaren/användaren är ansvarig för allt periodiskt underhåll.

## ⚠ WARNING

Använd eller kör aldrig en skadad eller trasig generator.

## ⚠ WARNING

Att mixra med den fabriksinställda regulatören kommer att göra att garantin blir ogiltig.

## ⚠ WARNING

Olämpligt underhåll kommer att göra att garantin blir ogiltig.

## NOTE

Underhåll, byte av delar eller reparation av avgaskontrollanordningar kan göras av valfri reparationsverkstad eller individ.

Genomför allt underhåll på utsatt tid. Rätta till alla problem innan generatören används.

## Motorunderhåll

För att förebygga oavsiktlig start av motorn, ta bort och jorda sladden till tändstiftet innan underhåll genomförs.

## Olja

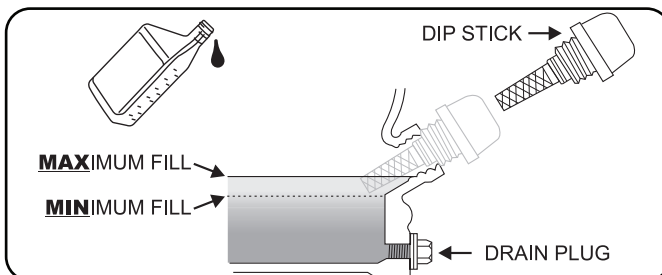
Byt olja när motorn är varm. Se oljespecifikationen för att välja rätt oljekvalitet för din användningsmiljö.

1. Ställ generatören ovanpå en arbetsbänk eller ett bord.
2. Lossa på skyddets skruvar och ta bort underhållsskyddet.
3. Öppna underhållspluggen av gummi från bottenbulten
4. Avlägsna bottenbulten.
5. Luta generatören på sidan och låt oljan tömmas helt.
6. Sätt tillbaka bottenbulten.
7. Fyll på standard motorolja och sätt tillbaka oljestickan och oljelocket. ÖVERFYLL INTE.
8. Sätt tillbaka underhållslocket och dra åt lockets skruvar.
9. Kassera använd olja på en godkänd avfallshanteringsstation.

Olja, forts.

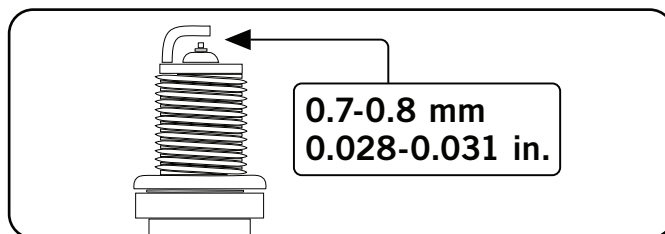
## NOTE

När oljan har fyllts på bör en avsyning visa olja upp till ca 1-2 gängor från att rinna ut ur påfyllningshålet. Om du använder en oljesticka för att kontrollera oljan ska du INTE skruva fast oljestickan när du gör kontrollen.



## Tändstift

1. Ta bort sladden till tändstiftet.
2. Använd ett tändstiftsverktyg (ingår inte) för att ta bort tändstiftet.
3. Kontrollera elektroden på tändstiftet. Den måste vara ren och inte sliten för att producera den gnista som krävs för tändning.
4. Kontrollera att tändstiftets mellanrum är 0,7-0,8 mm eller (0,028-0,031 in.).
5. Se diagrammet över rekommenderade tändstift vid byte av tändstift.



6. Sätt försiktigt tillbaka tändstiftet i motorn.
7. Använd ett tändstiftsverktyg (ingår inte) för att installera tändstiftet ordentligt.
8. Fäst sladden till tändstiftet.

## 73001i-DF(EU)

OEM-Tändstift: NHSP F6RTC

Utbyteständstift: NGK BPR6ES eller motsvarande

Säkerställ att tändstiftets gap är 0,7-0,8 mm (0,028 – 0,031 in.)

## Underhåll av ventilspel

- Inloppsventil: 0,06 – 0,12 mm (0,002 – 0,005 in.)

- Avgasventil: 0,08 – 0,14 mm (0,003 – 0,006 in.)

# UNDERHÅLL OCH FÖRVARING

## Luftfilter

1. Ta bort underhållsskyddet.
2. Lokalisera luftfiltrets plastlock.
3. Öppna lockets låsningsgångjärn.
4. Ta bort det gamla filtret.
5. Sätt det nya filtret på plats.
6. Sätt tillbaka gångjärnet på luftfilterlocket.
7. Sätt tillbaka underhållslocket och dra åt lockets skruvar.

## Rengöring

### ! CAUTION

Spruta INTE generatoren med vatten

Vatten kan kontaminera bränslesystemet.

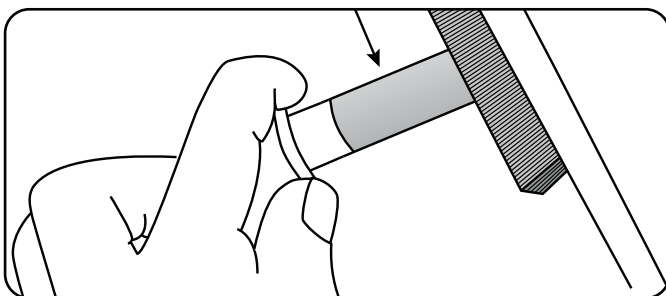
Använd en fuktig trasa för att rengöra utsidan på generatoren.

Använd en mjuk borste för att ta bort smuts och olja.

Använd en luftkompressor (25 PSI) för att ta bort smuts och skräp från generatoren.

## Gnistskydd

1. Låt motorn svalna helt innan du genomför underhåll på gnistskyddet.
2. Ta bort de två skruvarna som håller fast täckplåten som i sin tur håller fast gnistskyddet vid ljuddämparen.
3. Ta bort gnistskyddets skärm.
4. Ta försiktigt bort kolrester från gnistskyddets skärm med en stålborste.
5. Ersätt gnistskyddet om det är skadat.
6. Fäst gnistskyddet vid ljuddämparen med de två skruvarna.



### ! CAUTION

Att inte rengöra gnistskyddet gör att motorns prestanda minskar.

## Justeringar

Luft-bränsleblandningen är inte justerbar. Att mixtra med regulatoren kan skada din generator och dina elektriska apparater och gör garantin ogiltig.

## Underhållsschema

Följ de underhållsintervall som anges i följande underhållsschema.

Genomför underhåll på din generator oftare om den används i ogynnsamma förhållanden.

Var åttonde timme eller dagligen	
	Kontrollera oljenivå
	Rengör runt luftintag och ljuddämpare
	Kontrollera slangar för läckage
De första fem timmarna	
	Byt olja
Var 50:e timme eller varje säsong	
	Rengör luftfilter
	Byt olja om generatoren ska köras under tung belastning eller i het miljö.
Var 100:e timme eller varje säsong	
	Byt olja
	Rengör/justera tändstift
	Kontrollera/justera ventilavstånd*
	Rengör gnistskydd
	Rengör bränsletank och filter*
Var 250:e timme	
	Rengör förbränningskammare*
Vart tredje år	
	Byt bränsleslang och gasolslang

\*Ska utföras av kunniga, erfarna ägare eller av Champion Power Equipment-certifierade återförsäljare.

## Generatorbatteri

Denna produkt är utrustad med en automatisk batteriladdningsenhet. Batteriet laddas när motorn körs. Batteriet behåller bibehåller en lagom laddning om enheten används regelbundet (minst en gång varannan vecka). Om enheten används mindre ofta bör batteriet anslutas till en batteriladdare (ingår) för att hålla batteriet lämpligt laddat. Om batteriet inte klarar av att starta motorn så kan den startas med hjälp av dragsnöret. Om batteriets spänning är extremt låg finns risk att laddningsenheten inte klarar att ladda batteriet. Om så är fallet måste batteriet anslutas till en konventionell batteriladdare för att laddas innan det kan användas.

## Ladda batteriet

För generatorer som är utrustade med batterier för elektrisk start måste korrekt batteriunderhåll och batteriförvaring ske. En automatisk batteriladdare (ingår) med automatisk underhållsladdning bör användas för att ladda batteriet. Maximal laddningsstyrka bör inte överstiga 1,5 ampere. Följ de instruktioner som följer med batteriladdaren. Batteriet bör laddas fullt minst en gång i månaden.

### NOTE

En underhållsladdare kommer att bibehålla batteriet i gott skick under långa förvaringsperioder.

## Koppla ifrån batteriet

1. Ta bort batteriets panelskydd.
2. Ta bort det skyddande höljet från den svarta minuspoolen (-).
3. Koppla ifrån den svarta minuspolen (-) från den svarta minusterminalen (-) på batteriet och spara/förvara locksruven och låsbrickan.
4. Upprepa steg 1-2 för den röda pluspoolen (+).
5. Förvara batteriet på en sval torr plats.

## Generatorunderhåll

Se till att generatorm hålls ren och att den förvaras på lämpligt sätt. Använd endast enheten på en platt jämn yta i en ren, torr användningsmiljö. UTSÄTT INTE enheten för extrema omständigheter, överdrivet damm, smuts, fukt eller frätande ångor.

Använd en fuktig trasa för att rengöra utsidan på generatorm.

Använd en mjuk borste för att ta bort smuts och olja.

Använd en luftkompressor (25 PSI) för att ta bort smuts och skräp från generatorm.

Inspektera alla luftventiler och avkylningsslitsar för att säkerställa att de är rena och obehindrade.

### ! CAUTION

ANVÄND INTE en trädgårdsslang för att rengöra generatorm.

Vatten kan komma in i generatorm via avkylningsslitsarna och skada generatorms spiraler.

SV

# UNDERHÅLL OCH FÖRVARING

## Förvaring

Generatoren bör startas minst en gång var 14:e dag och köras i minst 20 minuter.

För längre tids förvaring, vänligen följ dessa riktlinjer.

## Generatorförvaring

1. Fyll på en lämplig bränslestabilisator i tanken.
2. Se till att alla apparater är frånkopplade från generatoren.
3. Kör generatoren ett par gånger så att det behandlade bränslet cirkulerar i bränslesystemet och förgasaren.
4. Vrid bränsleventilen till läge "OFF".
5. Låt motorn köras tills bristen på bränsle stoppar motorn. Detta tar vanligtvis några minuter.
6. Generatoren behöver kylas ned helt innan rengöring och förvaring.
7. Ta bort tändstiftslocket och dra sedan i dragsnöret tre gånger för att tömma förgasarmunstyckena på bränsle.
8. Byt motoroljan.
9. Ta bort tändstiftet och häll i ca. en matsked olja i cylindern. Veva motorn försiktigt för att distribuera oljan och smörja cylindern.
10. Sätt tillbaks tändstiftet.
11. Förvara enheten på en ren, torr plats och inte i direkt solljus.

### DANGER

Generatoravgaser innehåller kolmonoxid som är en färglös, doftfri, giftig gas.

För att undvika oavsiktlig tändning av din elektriska startgenerator under förvaringsperioder bör följande förebyggande åtgärder tas:

- Se till att tändningen, bränsleventilen och batteriets omkopplare är i läge "OFF" när generatoren ska förvaras under kortare perioder.
- Se till att tändningen, bränsleventilen och batteriets omkopplare är i läge "OFF" och att batteriets poler har kopplats bort från batteriet när generatoren ska förvaras under en längre tid.



Problem	Orsak	Lösning
Generatoren startar inte	Inget bränsle	Fyll på bränsle
	Felaktigt tändstift	Byt ut tändstiftet
	Enheten var belastad under uppstart	Ta bort belastningen från enheten
Generatoren startar inte, Generatoren startar men går ojämnt	Låg oljenivå	Fyll på vevhuset till lämplig nivå Placera generatoren på en platt jämn yta
	Choken står i fel läge.	Justera choken.
	Sladden till tändstiftet är lös	Fäst sladden till tändstiftet
Generatoren startar inte elektriskt	Generatorbatteriet är dött	Ladda upp generatorbatteriet
	Batteriomkopplaren står i läge "OFF"	Vrid batteriomkopplaren till läge "ON".
Generatoren stängs av under drift	Slut på bränsle	Fyll på bränsletanken
	Låg oljenivå	Fyll på vevhuset till lämplig nivå Placera generatoren på en platt jämn yta
Generatoren alstrar inte tillräckligt med ström eller överhettas	Generatoren är överbelastad	Kontrollera belastningen och justera. Se "Strömhantering"
	Otillräcklig ventilation	Kontrollera om luften hindras. Flytta generatoren till en väl ventilerad plats.
Ingen växelströmförsörjning	Sladdar inte korrekt anslutna	Kontrollera alla anslutningar
	Ansluten enhet fungerar inte	Byt ut den anslutna enheten
	Strömbrytaren är öppen	Återställ strömbrytaren
	Lösa kablar	Kontrollera och sätt fast kabelanslutningar
	Övrigt	Kontakta hjälplinjen
Strömbrytaren utlöses upprepade gånger	Överbelastning	Kontrollera belastningen och justera. Se "Strömhantering"
	Felaktiga sladdar eller enhet	Kontrollera efter skadade, öppna eller fransiga sladdar. Byt ut den anslutna enheten

# EINLEITUNG

---

## Einführung

Herzlichen Glückwunsch zum Kauf Ihres Stromerzeugers. Bitte und pflegen Sie korrekt.

## Mobiler Stromerzeuger

Dieses Gerät ist ein benzinbetriebener Wechselstromgenerator, der zur Stromversorgung verwendet wird.

## Zubehör

CPE produziert und liefert eine Reihe von Zubehörteilen. Weitere Informationen erhalten Sie beim lokalen Händler.

## Diese Broschüre

Wir behalten uns das Recht vor, das Produkt und dieses Handbuch ohne vorherige Ankündigung zu ändern, zu modifizieren oder zu verbessern.

---

Notieren Sie sich die Modell- und Seriennummern sowie Datum und Ort des Kaufs zur späteren Verwendung. Halten Sie diese Informationen bei der Bestellung von Teilen und bei technischen und/oder Garantieforderungen bereit.

Champion Power Equipment Support	
Modellnummer	
Seriennummer	
Kaufdatum	
Kaufort	
Für die Ölart siehe Abschnitt "Motoröl hinzufügen". Für die Kraftstoffart siehe Abschnitt "Kraftstoff hinzufügen".	

Bitte machen Sie sich mit den folgenden Symbolen vertraut. Das Sicherheitssymbol und die Schlüsselwörter sind Sicherheitshinweise. Befolgen Sie alle Sicherheitshinweise, um Unfälle und/ oder Verletzungen zu vermeiden.

## **GEFAHR**

GEFAHR weist auf eine unmittelbar drohenden Gefahr hin, die, wenn sie nicht vermieden wird, zum Tod oder zu schweren Verletzungen führt.

## **WARNUNG**

WARNUNG weist auf eine potenziell gefährliche Situation hin, die, wenn sie nicht vermieden wird, zu Tod oder schweren Verletzungen führen kann.

## **VORSICHT**

VORSICHT weist auf eine potenziell gefährliche Situation hin, die, wenn sie nicht vermieden wird, zu leichten oder mittleren Verletzungen führen kann.

## **VORSICHT**

VORSICHT, die ohne das Sicherheitswarnsymbol verwendet wird, weist auf eine potenziell gefährliche Situation hin, die, wenn sie nicht vermieden wird, zu Sachschäden führen kann.

## **HINWEIS**

Wenn Sie Fragen zu Ihrem Generator haben, können wir Ihnen helfen. Bitte wenden Sie sich an Ihren Händler vor Ort.

# SICHERHEITSVORSCHRIFTEN

## **WARNUNG**

Lesen Sie diese Anleitung sorgfältig durch, bevor Sie Ihren Generator in Betrieb nehmen. Die Nichtbeachtung der Anweisungen kann zu schweren Verletzungen oder zum Tod führen.

## **WARNUNG**

Der Motorabgas aus diesem Produkt enthalten Chemikalien, von denen bekannt ist, dass sie schwerwiegende Gesundheitsprobleme und sogar den Tod verursachen.

## **GEFAHR**

Das Abgas des Generators enthält Kohlenmonoxid, ein farbloses, geruchloses Giftgas. Das Einatmen von Kohlenmonoxid verursacht Übelkeit, Schwindel, Ohnmacht oder Tod. Wenn Sie sich schwindelig oder schwach fühlen, gehen Sie sofort an die frische Luft.

Betreiben Sie den Generator im Freien nur in einem gut belüfteten Bereich. Betreiben Sie den Generator NICHT in einem Gebäude, einschließlich Garagen, Kellern und Schuppen, einem Gehäuse oder Abteil, einschließlich des Stauraums eines Wohnmobils. Lassen Sie KEINE Abgase durch Fenster, Türen, Lüftungsschlitze oder andere Öffnungen gelangen.

**GEFAHR CARBON MONOXID: Die Verwendung eines Generators in Innenräumen kann Sie in wenigen Minuten töten.**

## **GEFAHR**

Der Generator erzeugt eine starke Spannung.

Berühren Sie KEINE blanken Drähte oder Buchsen. Verwenden Sie KEINE Stromkabel, die abgenutzt, beschädigt oder ausgefranst sind.

Betreiben Sie den Generator NICHT bei nassem Wetter.

Lassen Sie KEINE Kinder oder nicht qualifizierte Personen den Generator bedienen oder warten.

Verwenden Sie einen Fehlerstromschutzschalter (FI) in Feuchträumen und Bereichen, die leitfähiges Material enthalten, wie z. B. Metallböden.

Verwenden Sie zugelassene Transfer-Geräte, um den Generator ins Stromnetz integrieren.

Informieren Sie Ihr Versorgungsunternehmen, bevor Sie den Generator an Ihr Stromnetz anschließen.

## **WARNUNG**

Funken können zu Bränden oder Stromschlägen führen.

### **Bei der Wartung des Generators:**

Ziehen Sie das Zündkerzenkabel ab und legen Sie es dort ab, wo es die Kerze nicht berühren kann.

Überprüfen Sie NICHT bei gezogener Kerze auf Zündung. Verwenden Sie nur zugelassene Zündkerzenprüfgeräte.

## **WARNUNG**

Laufende Motoren erzeugen Wärme. Bei Kontakt können schwere Verbrennungen auftreten. Brennbar Materialien können bei Kontakt Feuer fangen.

Berühren Sie KEINE heißen Oberflächen.

Vermeiden Sie den Kontakt mit heißen Abgasen.

Lassen Sie das Gerät vor dem Berühren abkühlen. Halten Sie einen Abstand von 91,4 cm (3 ft.) auf allen Seiten ein, um eine ausreichende Kühlung zu gewährleisten.

Halten Sie einen Abstand von mindestens 1,5m (5 ft.) zu brennbaren Materialien ein.

## **WARNUNG**

Das schnelle Einziehen des Starterseils zieht Hand und Arm schneller zum Motor, als Sie loslassen können, was zu schweren Verletzungen führen kann.

Beim Anlassen des Motors das Starterseil langsam ziehen, bis ein Widerstand spürbar ist, und dann schnell ziehen, um Rückschläge zu vermeiden. Starten oder stoppen Sie den Motor NICHT, wenn elektrische Geräte angeschlossen sind.

## **VORSICHT**

Eine Überschreitung der Betriebskapazität des Generators kann den Generator und/oder die daran angeschlossenen elektrischen Geräte beschädigen.

Überlasten Sie den Generator NICHT. Starten Sie den Generator und lassen Sie den Motor sich stabilisieren, bevor Sie elektrische Verbraucher anschließen. Schließen Sie die elektrischen Geräte in der Aus-Stellung an und schalten Sie sie dann zur Bedienung ein. Schalten Sie die elektrischen Geräte aus, bevor Sie den Generator stoppen. Manipulieren Sie NICHT die regulierte Geschwindigkeit. Nehmen Sie KEINE Modifikationen am Gerät vor.

## **GEFAHR**

Rotierende Teile können Hände, Füße, Haare, Kleidung und/oder Accessoires verwickeln. Dies kann zu einer traumatischen Amputation oder schweren Platzwunden führen

Halten Sie Hände und Füße von rotierenden Teilen fern. Binden Sie lange Haare zusammen und entfernen Sie Schmuck. Betreiben Sie das Gerät mit installierten Schutzvorrichtungen. Tragen Sie KEINE lose sitzende Kleidung, baumelnde Kordeln oder Gegenstände, die sich verfangen könnten.

## **VORSICHT**

Unsachgemäße Behandlung oder Verwendung des Generators kann ihn beschädigen, seine Lebensdauer verkürzen und zum Erlöschen der Garantie führen.

Verwenden Sie den Generator nur für den bestimmungsgemäßen Gebrauch. Betreiben Sie das Gerät nur auf ebenen Flächen. Setzen Sie den Generator NICHT übermäßiger Feuchtigkeit, Staub oder Schmutz aus. Lassen Sie kein Material die Kühlschlitze blockieren. Wenn sich angeschlossene Geräte überhitzen, schalten Sie sie aus und trennen Sie sie vom Generator.

Verwenden Sie den Generator NICHT, wenn:

- Elektrische Leistung verloren geht
- Equipment Funken erzeugt, raucht oder brennt
- Equipment übermäßig vibriert

## **WARNUNG**

Der Betrieb dieses Geräts kann Funken erzeugen, die in der Umgebung von trockener Vegetation Brände auslösen können.

Gegebenenfalls ist eine Funkensperre erforderlich. Der Betreiber sollte sich für Gesetze oder Vorschriften in Bezug auf Brandschutzanforderungen an die örtlichen Brandschutzbehörden wenden.

## **WARNUNG**

Medizinische und lebenserhaltende Anwendungen.

Rufen Sie im Notfall sofort den Notfalldienst an. Verwenden Sie dieses Produkt NIEMALS zur Stromversorgung von lebenserhaltenden Geräten oder lebenserhaltenden Geräten. Verwenden Sie dieses Produkt NIEMALS zur Stromversorgung von Medizinprodukten oder medizinischen Geräten. Informieren Sie sofort Ihren Stromversorger, wenn Sie oder jemand in Ihrem Haushalt auf elektrische Geräte zum Leben angewiesen ist. Informieren Sie sofort Ihren Stromversorger, wenn ein Stromausfall dazu führen würde, dass Sie oder jemand in Ihrem Haushalt einen medizinischen Notfall erleidet.

# SICHERHEITSVORSCHRIFTEN

## Kraftstoffsicherheit

### **GEFAHR**

#### **BENZIN, BENZINDÄMPFE UND FLÜSSIGGAS (LPG) SIND HOCHENTZÜNDLICH UND EXPLOSIV.**

Feuer oder Explosion kann zu schweren Verbrennungen oder zum Tod führen. Eine unbeabsichtigte Inbetriebnahme kann zu traumatischen Amputationen oder Schnittwunden führen.

#### **Benzin und Benzindämpfe (Benzin):**

- BENZIN IST HOCHENTZÜNDLICH UND EXPLOSIV.
- Benzin kann bei Entzündung einen Brand oder eine Explosion verursachen.
- Benzin ist ein flüssiger Kraftstoff, aber seine Dämpfe können sich entzünden.
- Benzin ist ein hautreizendes Mittel und muss sofort gereinigt werden, wenn es auf Haut oder Kleidung verschüttet wird.
- Benzin hat einen ausgeprägten Geruch, der dazu beiträgt, mögliche Undichtigkeiten schnell zu erkennen.
- Bei einem Benzinbrand sollten die Flammen nicht gelöscht werden, es sei denn, das Kraftstoffversorgungsventil kann dadurch ausgeschaltet werden. Denn wenn ein Feuer gelöscht wird und eine Kraftstoffzufuhr nicht abgeschaltet wird, kann eine Explosionsgefahr entstehen. -
- Benzin dehnt sich aus oder zieht sich mit den Umgebungstemperaturen zusammen. Füllen Sie den Kraftstofftank niemals bis zur vollen Kapazität, da der Kraftstoff bei steigenden Temperaturen Platz zum Ausdehnen benötigt.

#### **Flüssiges Propangas:**

- FLPG (PROPAN) IST HOCHENTZÜNDLICH UND EXPLOSIV.
- Entzündbares Gas unter Druck kann bei Entzündung einen Brand oder eine Explosion verursachen.
- LPG (Propan) ist schwerer als Luft und kann sich an niedrigen Stellen absetzen, während es sich auflöst.
- LPG (Propan) hat einen ausgeprägten Geruch, der dazu beiträgt, mögliche Lecks schnell zu erkennen.
- Bei einem Propangasbrand sollten die Flammen nicht gelöscht werden, es sei denn, dadurch kann das Kraftstoffversorgungsventil ausgeschaltet werden. Denn wenn ein Feuer gelöscht wird und eine Kraftstoffzufuhr nicht abgeschaltet wird, kann eine Explosionsgefahr entstehen.
- Beim Austausch von Flüssiggasflaschen ist darauf

zu achten, dass das Flaschenventil vom gleichen Typ ist. Halten Sie den LPG-Zylinder immer in aufrechter Position.

- LPG verbrennt die Haut, wenn es mit ihr in Berührung kommt. Halten Sie LPG jederzeit von der Haut fern.

#### **Beim Hinzufügen oder Entfernen von Kraftstoff:**

Schalten Sie den Generator aus und lassen Sie ihn mindestens zwei Minuten abkühlen, bevor Sie den Tankdeckel entfernen. Lösen Sie die Kappe langsam, um den Druck im Tank abzubauen.

Füllen oder entleeren Sie Kraftstoff nur im Freien in einem gut belüfteten Bereich. Füllen Sie KEIN Benzin direkt in den Generator an der Tankstelle. Verwenden Sie einen zugelassenen Behälter, um den Kraftstoff zum Generator zu transportieren. Den Kraftstofftank NICHT überfüllen. Halten Sie den Kraftstoff immer fern von Funken, offenen Flammen, Kontrollleuchten, Hitze und anderen Zündquellen. Zünden oder rauchen Sie keine Zigaretten.

#### **Beim Starten des Generators:**

Versuchen Sie NICHT, einen beschädigten Generator zu starten. Vergewissern Sie sich, dass Tankdeckel, Luftfilter, Zündkerze, Kraftstoffleitungen und Abgassystem ordnungsgemäß angebracht sind. Lassen Sie verschütteten Kraftstoff vollständig verdunsten, bevor Sie versuchen, den Motor zu starten. Achten Sie darauf, dass der Generator fest auf ebenem Boden steht.

#### **Beim Betrieb des Generators:**

Bewegen oder kippen Sie den Generator während des Betriebs NICHT. Den Generator NICHT kippen oder Kraftstoff oder ÖL auslaufen lassen.

#### **Beim Transport oder Wartung des Generators:**

Vergewissern Sie sich, dass sich das Kraftstoffabsperrentil in der Aus-Stellung befindet und der Kraftstofftank leer ist. Ziehen Sie das Zündkerzenkabel ab.

#### **Bei der Lagerung des Generators:**

Lagern Sie das Gerät fernab von Funken, offenen Flammen, Kontrollleuchten, Hitze und anderen Zündquellen.

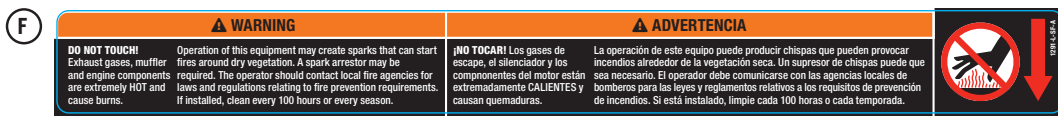
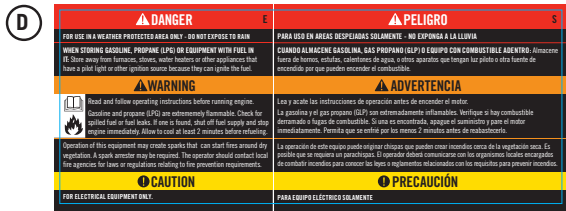
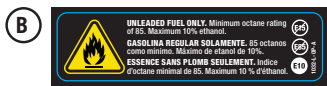
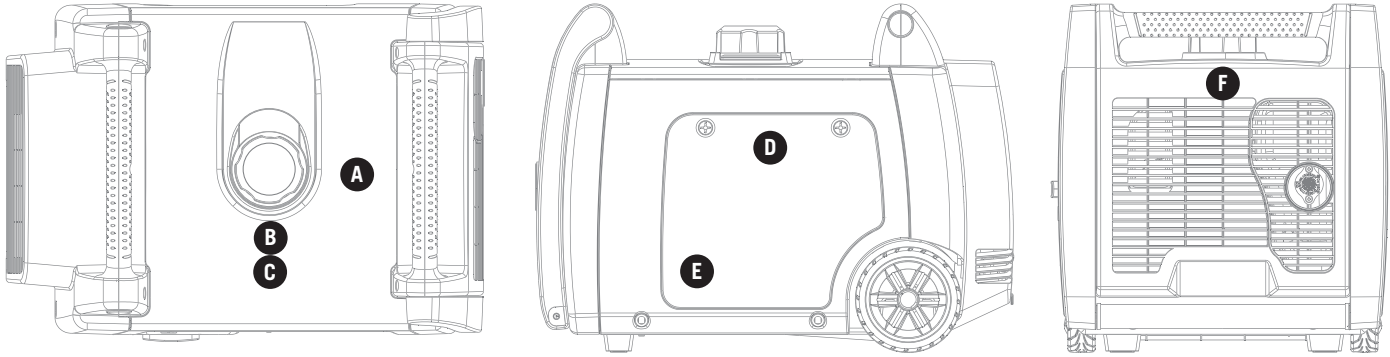
### **WARNUNG**

Verwenden Sie niemals einen Benzinbehälter, einen LPG-Anschlussschlauch, einen Benzintank, eine LPG-Flasche oder einen anderen Kraftstoffbehälter, der beschädigt ist oder beschädigt erscheint.

# SICHERHEITSVORSCHRIFTEN

## Positionen der Sicherheitsaufkleber

Diese Etiketten warnen Sie vor möglichen Gefahren, die zu schweren Verletzungen führen können. Lesen Sie sie sorgfältig durch. Wenn sich ein Etikett löst oder schwer lesbar wird, wenden Sie sich an den Kundendienst Ihres Händlers vor Ort, um einen möglichen Ersatz zu erhalten.



DE

# INBETRIEBNAHME

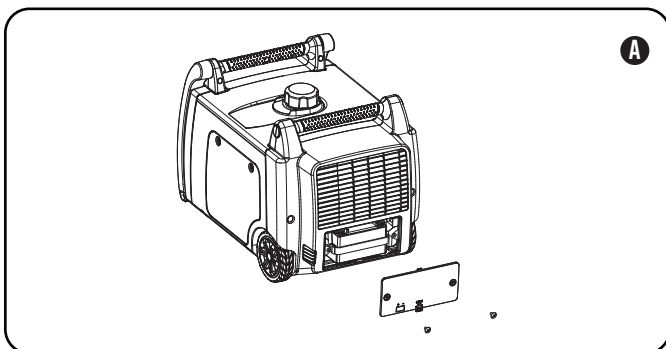
Ihr Generator benötigt eine gewisse Montage. Dieses Gerät wird ab Werk ohne Öl ausgeliefert. Vor dem Betrieb muss das Gerät ordnungsgemäß mit Kraftstoff und Öl versorgt werden.

## Entfernen Sie den Generator aus dem Versandkarton

1. Stellen Sie den Versandkarton auf eine feste, ebene Fläche.
2. Entfernen Sie alles aus dem Karton mit Ausnahme des Generators.
3. Entfernen Sie den Generator vorsichtig mit den Tragegriffen des Gerätes aus der Box. (es wird empfohlen, dass zwei Personen anheben)

## Anschluss der Batterie (Elektrostartmodelle)

1. Entfernen Sie mit einem Schraubendreher die beiden (2) Schrauben der Batteriefachabdeckung.
2. Nach dem Entfernen der Schrauben kann an der Gummizuglasche gezogen werden, um die Batteriefachabdeckung zu lösen und zu entfernen. (A)
3. Entfernen Sie die Batteriefachabdeckung. (A)



4. Trennen Sie den Kabelbinder, der die Batteriekabel miteinander verbindet.
5. Lösen Sie mit einem Schraubendreher die Batterieschraube in der roten, positiven (+) Batterieklemme.
6. Schließen Sie das rote, positive (+) Kabel mit der Schraube an den positiven (+) Pol der Batterie an.
7. Gummimantel über die Verbindung des Batteriekabels und der Batterieklemme ziehen.
8. Wiederholen Sie die Schritte 5-7 für das schwarze Batteriekabel negativen (-) und den schwarzen, negativen (-) Batterieanschluss.

## Anschließen des Batterieanschlusses (Fortsetzung).

### HINWEIS

Wenn die Batteriekabel nach dem Entfernen der Batterie-Wartungsabdeckung nicht sichtbar sind, beachten Sie bitte, dass die Kabel außerhalb Ihres Sichtbereichs über der Batterie verstaut sein können



## Motoröl hinzufügen

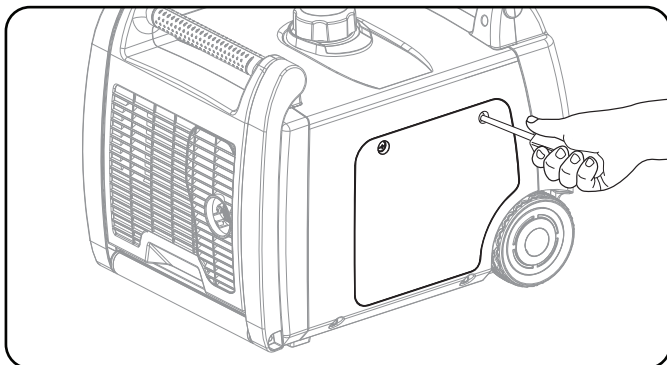
### ! VORSICHT

Versuchen Sie NICHT, den Motor zu kurbeln oder zu starten, bevor er nicht ordnungsgemäß mit der empfohlenen Art und Menge an Öl gefüllt wurde. Schäden am Generator, die durch Nichtbeachtung dieser Anweisungen verursacht werden, führen zum Erlöschen der Garantie.

### HINWEIS

Die empfohlene Ölsorte ist 10W-30 Automobilöl.

1. Stellen Sie den Generator auf einen flachen, ebenen Untergrund.
2. Lösen Sie die Abdeckungsschrauben und entfernen Sie die Wartungsabdeckung.



3. Öleinfülldeckel/Messstab entfernen, um Öl hinzuzufügen.
4. Öl nachfüllen und Öleinfülldeckel/Messstab wieder einsetzen. NICHT ÜBERFÜLLEN.
5. Den Motorölstand täglich überprüfen und bei Bedarf nachfüllen.

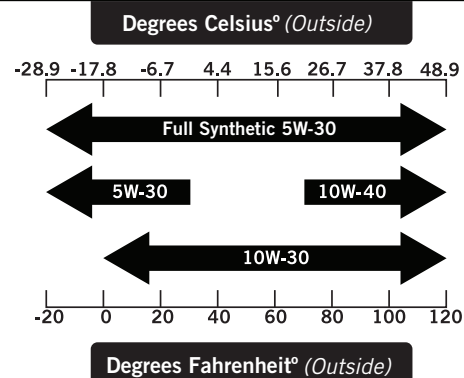
### HINWEIS

Nach dem Einfüllen des Öls sollte eine Sichtkontrolle zeigen, dass das Öl ca. 1-2 Gewindegänge aus der Einfüllöffnung ausläuft. Wenn Sie den Ölmesstab zur Ölstandskontrolle verwenden, schrauben Sie den Ölmesstab während der Kontrolle NICHT ein.

### HINWEIS

Überprüfen Sie das Öl regelmäßig während der Einlaufphase. Empfohlene Wartungsintervalle finden Sie im Abschnitt **Wartung**.

## Motoröl hinzufügen Fortsetzung



### VORSICHT

Der Motor ist mit einer Niedrig-Öl-Abschaltung ausgestattet und stoppt, wenn der Ölstand im Kurbelgehäuse den Schwellenwert unterschreitet.

### HINWEIS

Der Generatorrotor verfügt über ein abgedichtetes, vorgeschmiertes Kugellager, das während der gesamten Lebensdauer des Lagers keine zusätzliche Schmierung benötigt.

### HINWEIS

Wir betrachten die ersten 5 Stunden der Betriebszeit als Einlaufzeit für das Gerät. Während der Einlaufzeit bleiben Sie bei oder unter 50% der Betriebsleistung und variieren Sie die Last gelegentlich, damit die Statorwicklungen heizen und kühlen können. Das Anpassen der Last führt auch dazu, dass sich die Motordrehzahl ändert und die Kolbenringe sich setzen können. Nach der 5-stündigen Einlaufzeit das Öl wechseln.

### HINWEIS

Das Wetter wird sich auf das Motoröl und die Motorleistung auswirken. Ändern Sie die Art des verwendeten Motoröls je nach Wetterlage entsprechend den Anforderungen des Motors.

### HINWEIS

Synthetisches Öl kann nach der anfänglichen Einarbeitungszeit von 5 Stunden verwendet werden. Die Verwendung von synthetischem Öl verlängert nicht das empfohlene Ölwechselintervall.

# INBETRIEBNAHME

## Kraftstoff hinzufügen

1. Verwenden Sie sauberen, frischen, regelmäßigen bleifreien Kraftstoff mit einem Oktanzahl von mindestens 85 und einem Ethanolgehalt von weniger als 10 Vol.-%.
2. Mischen Sie KEIN ÖL mit Kraftstoff.
3. Reinigen Sie den Bereich um den Tankdeckel.
4. Entfernen Sie den Tankdeckel.
5. Geben Sie den Kraftstoff langsam in den Tank. NICHT ÜBERFÜLLEN. Der Kraftstoff kann sich nach dem Befüllen ausdehnen. Ein Minimum von 1/4 Zoll. (6,4 mm) des im Tank verbleibenden Raums für die Kraftstoffausdehnung wird benötigt, mehr als 1/4 Zoll.(6,4 mm) wird empfohlen. Bei Überfüllung kann Kraftstoff durch Expansion aus dem Tank gedrückt werden und den stabilen Betriebszustand des Produkts beeinträchtigen. Beim Befüllen des Tanks wird empfohlen, genügend Platz für die Ausdehnung des Kraftstoffs zu lassen.
6. Schrauben Sie den Tankdeckel wieder auf und wischen Sie ggf. verschütteten Kraftstoff ab.

### ! VORSICHT

Verwenden Sie bleifreies Normalbenzin mit einer Oktanzahl von mindestens 85.

Mischen Sie kein Öl und Benzin. Füllen Sie den Tank auf ca. 1/4 Zoll. (6,4 mm) unter der Oberseite des Tanks, um eine Kraftstoffausdehnung zu ermöglichen. Pumpen Sie KEIN Benzin direkt in den Generator an der Tankstelle. Verwenden Sie einen zugelassenen Behälter, um den Kraftstoff zum Generator zu transportieren. Füllen Sie den Kraftstofftank NICHT im Innenbereich. Den Kraftstofftank NICHT füllen, wenn der Motor läuft oder heiß ist. Den Kraftstofftank NICHT überfüllen. Beim Befüllen des Kraftstofftanks KEINE Zigaretten anzünden oder rauchen.

### ! WARNUNG

Wenn Sie den Kraftstoff zu schnell durch das Kraftstoffsieb gießen, kann es beim Befüllen zu einem Rückschlag in Richtung des Bedieners kommen..

## Kraftstoff hinzufügen (Fortsetzung)

### ! HINWEIS

Unsere Motoren funktionieren gut mit 10% oder weniger Ethanolmischkraftstoffen. Bei der Verwendung von Mischbrennstoffen gibt es einige Besonderheiten zu beachten::

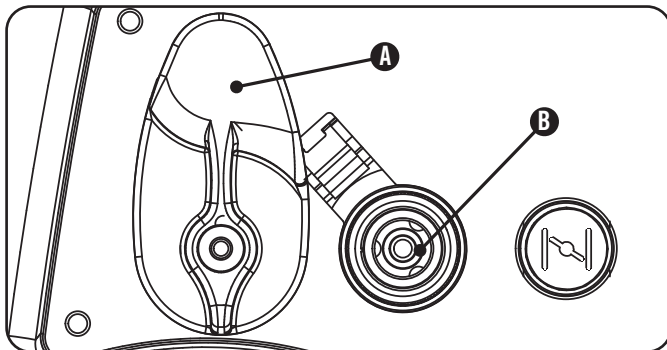
- EEthanol-Benzin-Gemische können mehr Wasser aufnehmen als Benzin allein.
- Diese Mischungen können sich schließlich trennen und Wasser oder einen wässrigen Schmiere im Tank, Kraftstoffventil und Vergaser zurücklassen.
- Bei schwerkraftgespeisten Kraftstoffzuführungen kann dieser gefährdete Kraftstoff in den Vergaser gesaugt werden und zu Schäden am Motor und/oder möglichen Gefahren führen.
- Es gibt nur wenige Anbieter von Kraftstoffstabilisatoren, die für den Einsatz mit Ethanolmischkraftstoffen entwickelt wurden.
- Jegliche Schäden oder Gefahren, die durch die Verwendung von unsachgemäßem Kraftstoff, unsachgemäß gelagertem Kraftstoff und/oder anderen Materialien verursacht werden.oder falsch formulierte Stabilisatoren, fallen nicht unter die Herstellergarantie.

Es ist ratsam, die Kraftstoffzufuhr immer abzuschalten, den Motor auf Kraftstoffmangel einzustellen und den Tank zu entleeren, wenn das Gerät länger als 30 Tage nicht benutzt wird.

## Anschluss des Propan-(LPG)-Zylinders

1. Vergewissern Sie sich, dass sich der Brennstoffwahlschalter am Inverter in der 12-Uhr-Position (vertikal) befindet. (A)
2. Schieben Sie den Außenzylinder mit den Fingern wieder auf die LPG-Schnellanschluss-Schlaucharmatur (B).
3. Während sich der Außenzylinder in der hinteren Position befindet, stecken Sie den LPG-Schlauch (mitgeliefert) in den Einlass und lassen Sie den Außenzylinder los. Der Lauf kehrt automatisch zurück und verriegelt den Schlauch im Einlass.
4. Entfernen Sie den Sicherheitsstopfen oder die Kappe vom Flaschenventil.

5. Befestigen Sie das andere Ende des Schlauchs an der LPG-Flasche und ziehen Sie es handfest an
6. Überprüfen Sie alle Anschlüsse auf Dichtheit, indem Sie die Armaturen mit einer Lösung aus Seife und Wasser benetzen. Auftretende Blasen oder wachsende Blasen zeigen an, dass ein Leck vorliegt. Wenn an einer Armatur ein Leck vorliegt, schalten Sie das Gasventil am Tank aus und ziehen Sie die Armatur fest. Schalten Sie das Gas wieder ein und überprüfen Sie die Armatur erneut mit der Seifen- und Wasserlösung. Wenn das Leck weiter besteht oder wenn sich das Leck nicht an einer Armatur befindet, verwenden Sie den Generator nicht und wenden Sie sich an den Kundendienst.



## HINWEIS

- Verwenden Sie nur Standard-Tanks.
- Überprüfen Sie, ob das Datum der Wiederholungsprüfung am Tank noch nicht abgelaufen ist.
- Alle neuen Flaschen müssen vor dem Befüllen von Luft und Feuchtigkeit befreit werden. Gebrauchte Zylinder, die nicht verschlossen oder geschlossen gehalten wurden, müssen ebenfalls gespült werden.
- Der Spülvorgang sollte von einem Flüssiggaslieferanten durchgeführt werden. (Flaschen von einem Tauschlieferanten sollten bereits gespült und ordnungsgemäß befüllt worden sein).
- Positionieren Sie den Zylinder immer so, dass die Verbindung zwischen dem Ventil und dem Gaseinlass keine starken Biegungen oder Knicke im Schlauch verursacht.

## VORSICHT

Lassen Sie Kinder nicht an den Flaschen- oder Schlauchanschlüssen manipulieren oder spielen.

## Anschluss LPG-Flasche Fortsetzung

### ! VORSICHT

Verwenden Sie zugelassene Flüssiggasflaschen, die mit einem OPD-Ventil (Überfüllsicherung) ausgestattet sind. Halten Sie den Zylinder immer in einer vertikalen Position mit dem Ventil nach oben und installieren Sie ihn ebenerdig auf einer ebenen Fläche. Die Zylinder dürfen nicht in der Nähe von Wärmequellen installiert werden und dürfen keiner Sonne, keinem Regen und Staub ausgesetzt sein. Schalten Sie beim Transport und bei der Lagerung das Flaschenventil und das Kraftstoffventil aus und trennen Sie die Flasche. Schrauben Sie die Kunststoff-Verschlusskappe an. Halten Sie die Flasche im Fahrzeug von Hitze und Lüftung fern.

### ! WARNUNG

Wenn es einen starken Geruch von Gas gibt: Sperren Sie die Gaszufuhr an der Flasche ab. Verwenden Sie Seifenwasser, um das Leck zu orten. Überprüfen Sie Schlauch und die Anschlüsse am Flaschenventil und am Generator. Rauchen oder entzünden Sie keine Zigarette und überprüfen Sie sie nicht mit einem Streichholz, einer offenen Flamme oder einem Feuerzeug auf Undichtigkeiten. Wenden Sie sich vor der Verwendung des Generators an einen qualifizierten Techniker, um das LPG-System zu überprüfen und zu reparieren, wenn ein Leck festgestellt wird.

DE

## Erdung

Ihr Generator muss ordnungsgemäß an eine geeignete Erdung angeschlossen sein, um einen elektrischen Schlag zu vermeiden.

### ! WARNUNG

Eine unzureichende Erdung des Generators kann zu einem elektrischen Schlag führen.

Eine Erdungsklemme, die mit dem Rahmen des Generators verbunden ist, ist auf dem Fronpanel vorgesehen. Für die Fernerdung verbinden Sie einen Kupferdraht mit einer Länge von schwerem Durchmesser (mindestens 12 AWG) zwischen dem Generator- Masseanschluss und einer in die Erde eingetriebenen Kupferstange. Wir empfehlen dringend, dass Sie sich an einen qualifizierten Elektriker wenden, um die Einhaltung der örtlichen Vorschriften zu gewährleisten.

# BETRIEB

## Standort des Generators

Betreiben Sie den Generator niemals in einem Gebäude! (Siehe Abschnitt Sicherheitshinweise). In einigen Bereichen müssen Generatoren beim örtlichen Versorgungsunternehmen registriert werden. Generatoren, die auf Baustellen eingesetzt werden, können den örtlichen Vorschriften und Vorschriften unterliegen. Das Gerät auf einem flachen, ebenen Untergrund aufstellen. Der Generator muss einen Mindestabstand von 1,5 m (5 ft) zu allen brennbaren Materialien aufweisen. Darüber hinaus müssen sie auf allen Seiten einen Freiraum von mindestens 91,4 cm (3 ft) gewährleisten, um eine ausreichende Kühlung, Wartung und Instandhaltung zu ermöglichen. Generatoren sollten niemals an einem Ort gestartet oder betrieben werden, der eine ausreichende Kühlung des Generators und/oder des Auspuffs nicht zulässt. Lassen Sie die Generatoren vor der Lagerung oder dem Transport abkühlen. Stellen Sie den Generator nicht in der Nähe von Lüftungsschlitzen oder Einlässen auf. Bei der Aufstellung des Generators sind Wind- und Luftströme sorgfältig zu berücksichtigen.

**Bei Nichtbeachtung der entsprechenden Sicherheitsvorkehrungen kann die Herstellergarantie erlöschen.**

### **WARNUNG**

Betreiben oder lagern Sie den Generator nicht bei Regen, Schnee oder Nässe.

Die Verwendung eines Generators oder eines elektrischen Geräts bei nassen Bedingungen, wie Regen oder Schnee, oder in der Nähe eines Beckens oder einer Sprinkleranlage, oder wenn Ihre Hände nass sind, kann zu einem Stromschlag führen.

### **WARNUNG**

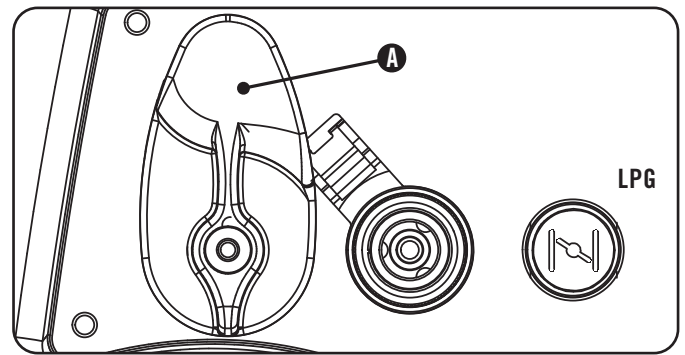
Während des Betriebs werden der Schalldämpfer und die entstehenden Abgase heiß. Werden keine ausreichenden Kühl- und Atemräume zur Verfügung gestellt, oder ist der Generator blockiert oder eingedämmt, können sich die Temperaturen stark erwärmen und zu Bränden führen.

## Erdung

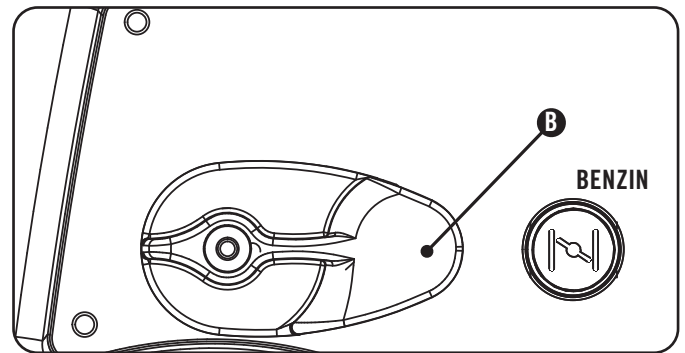
Die Masse des Generatorsystems verbindet den Rahmen mit den Erdungsklemmen auf dem Bedienfeld. Die Systemmasse ist mit dem AC-Neutralleiter verbunden.

## Kraftstoffwahlschalter

Der Kraftstoffwahlschalter auf der Vorderseite des Wechselrichters dient zur Auswahl der gewünschten Kraftstoffquelle - Benzin oder Flüssiggas. Um die gewünschte Kraftstoffquelle auszuwählen, drehen Sie einfach den Wahlschalter auf das Kraftstoffsymbol auf dem Bedienfeld. Den Kraftstoffwahlschalter auf die 12-Uhr-Position (vertikal) für den LPG-Betrieb stellen. (A)



Den Kraftstoffwahlschalter für den Benzinbetrieb auf die 3-Uhr-Position (horizontal) stellen. (B)



### **HINWEIS**

Wenn sich der Kraftstoffwahlschalter in der 3-Uhr-Stellung befindet, ist das Kraftstoffventil geöffnet. Um das Benzinventil zu schließen, drehen Sie den Wahlschalter auf die 12-Uhr-Position.

## Starten des Inverters

### VORSICHT

Wenn der Zündschalter länger als 5 Sekunden in der Position "Start" gedrückt gehalten wird, kann der Anlasser beschädigt werden.

### HINWEIS

Die mitgelieferte 12V 7AH-Batterie lädt sich bei laufendem Motor wieder auf, aber es wird auch empfohlen, die Batterie mindestens einmal im Monat vollständig aufzuladen.

### HINWEIS

Wenn sich der Batterieschalter in der Position "ON" befindet, leuchtet der Schalter auf, wenn die Batterie eine Ladung abgibt. Wenn der Schalter in der Position "ON" nicht leuchtet, überprüfen Sie, ob der Batterieanschluss in Ordnung ist.

### HINWEIS

Wenn der Motor startet, aber nicht weiterläuft, stellen Sie sicher, dass sich der Generator auf einer ebenen, ebenen Fläche befindet. Der Motor ist mit einem Ölmangel-Sensor ausgestattet, der verhindert, dass der Motor läuft, wenn der Ölstand einen kritischen Schwellenwert unterschreitet..

## Benzin

### HINWEIS

Der Generator startet mit Benzin NICHT ohne Batterieladung oder einen entsprechenden Anschluss.

1. Vergewissern Sie sich, dass sich der Generator auf einem flachen, ebenen Untergrund befindet.
2. Trennen Sie alle elektrischen Verbraucher vom Generator. Starten oder stoppen Sie den Generator niemals, wenn elektrische Geräte angeschlossen oder eingeschaltet sind.
3. Stellen Sie den Kraftstoffwahlschalter auf die Position "Horizontal".
4. Ziehen Sie den Choke in die Position "CHOKE".
5. Drücken Sie den Zündschalter in die Position "ON".
6. Drücken Sie den Batterieschalter in die Position "ON".
7. ELEKTRISCHER START: Drücken und halten Sie den Zündschalter in die Position "START". Loslassen, wenn der Motor zu starten beginnt. Wenn der Motor innerhalb von fünf Sekunden nicht startet, lassen Sie den Schalter los und warten Sie mindestens zehn Sekunden, bevor Sie versuchen, den Motor erneut zu starten.
8. Seilzugstart: Ziehen Sie das Starterseil langsam, bis ein Widerstand spürbar ist, und ziehen Sie dann schnell.
9. Nicht zu viel Choke geben. Lassen Sie den Motor einige Sekunden warmlaufen, bevor Sie die Choke allmählich in die Position "RUN" drücken.

### HINWEIS

Halten Sie die Choke in der Position "Choke" nur für 1 Zug des Seilzugstarters. Nach dem ersten Zug schieben Sie die Choke für die nächsten drei Züge des Seilzugstarters ein. Zu viel Choke führt zu Zündkerzenverschmutzung / Motorüberflutung aufgrund des Fehlens von Zuluft. Dadurch wird der Motor nicht gestartet.



## GAS

1. Vergewissern Sie sich, dass sich der Generator auf einem flachen, ebenen Untergrund befindet.
2. Trennen Sie alle elektrischen Verbraucher vom Generator. Starten oder stoppen Sie den Generator niemals, wenn elektrische Geräte angeschlossen oder eingeschaltet sind.
3. Den Kraftstoffwahlschalter auf die Position "Vertikal" stellen und den Flüssiggasschlauch anschließen.
4. Den LPG-Zylinder-Kraftstoffknopf vollständig öffnen.
5. Drücken Sie den Zündschalter in die Position "ON".
6. Drücken Sie den Batterieschalter in die Position "ON".
7. ELEKTRISCHER START: Ziehen Sie die Drossel in die Position "Drossel".
8. Halten Sie den Zündschalter in die Position "START". Loslassen, wenn der Motor zu starten beginnt. Wenn der Motor innerhalb von fünf Sekunden nicht startet, lassen Sie den Schalter los und warten Sie mindestens zehn Sekunden, bevor Sie versuchen, den Motor erneut zu starten.
9. Nicht zu stark würgen. Lassen Sie den Motor einige Sekunden warmlaufen, bevor Sie die Choke allmählich in die Position "RUN" drücken.
10. RECOIL START: Ziehen Sie die Drossel in die Position "Choke".
11. PULL-TO-PRIME: Ziehen Sie das Starterseil langsam, bis ein Widerstand spürbar wird, und ziehen Sie dann schnell. Ziehen Sie 1-2 mal mit Choke heraus, bis Sie einige Verbrennungsimpulse spüren, die anzeigen, dass der Motor kurzzeitig gestartet ist.
12. Drücken Sie die Drosselklappe hinein.
13. Ziehen Sie das Starterseil langsam bis zum spürbaren Widerstand und ziehen Sie dann schnell.
14. Wenn der Motor nicht in 1-Zug mit Choke in der Mitte startet. Position "RUN", dann Choke herausziehen und den Schritt PULL-TO-PRIME wiederholen.

## Starten Gas Fortsetzung.



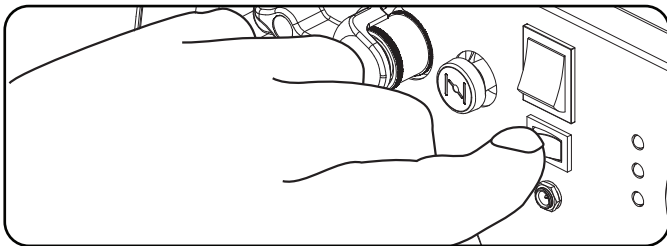
### HINWEIS

Die Beobachtung von Frost an Flüssiggasbehältern und -reglern ist während des Betriebs üblich und stellt in der Regel keinen Hinweis auf ein Problem dar. Wenn Flüssiggas verdampft und vom Tank zum Generatormotor transportiert wird, dehnt es sich aus. Die sich bildende Frostmenge kann durch die Größe des Behälters, die verwendete Kraftstoffmenge, die Luftfeuchtigkeit und andere Betriebsbedingungen beeinflusst werden. In ungewöhnlichen Situationen kann dieser Frost den Gasstrom zum Generator einschränken, was zu einer Verschlechterung der Leistung führen kann. Zum Beispiel, wenn die Tanktemperatur reduziert wird, auf ein sehr niedriges Niveau, dann wird auch die Verdampfungsrates des LPG reduziert und sorgt möglicherweise nicht für einen ausreichenden Kraftstofffluss zum Motor. Dies ist kein Hinweis auf ein Problem mit dem Generator, sondern nur ein Problem mit dem Gasstrom aus dem Flüssiggasbehälter. Wenn sich die Generatorleistung zu verschlechtern scheint und gleichzeitig die Eisbildung am Tankklappe, Schlauch oder Regler beobachtet wird, können einige Maßnahmen ergriffen werden, um dieses Symptom zu beseitigen. In diesen seltenen Situationen kann es hilfreich sein, die Auswirkungen des Kaltkraftstoffsystems zu reduzieren oder zu beseitigen, indem Sie eine der folgenden Maßnahmen ergreifen:

- Austausch der Kraftstofftanks, damit sich der erste Tank aufwärmen kann, bei Bedarf wiederholen.
- Platzieren des LPG-Behälters am Ende des Generators in der Nähe des Griffs, wo die Luft des Motorgebläses aus dem Generator austritt. Diese Luft wird durch das Überströmen des Motors leicht erwärmt. Der Behälter sollte nicht in den Weg des Schalldämpferauslasses gestellt werden.
- Der Behälter kann vorübergehend erwärmt werden, indem warmes Wasser über die Oberseite des Tanks gegossen wird.

## Economy-Steuerschalter

Der Economy Control-Schalter kann aktiviert werden, um den Kraftstoffverbrauch und die Geräusentwicklung beim Betrieb des Geräts in Zeiten reduzierter elektrischer Leistung zu minimieren, so dass die Motordrehzahl in Zeiten der Nichtbenutzung im Leerlauf laufen kann. Die Motordrehzahl kehrt zur Normalität zurück, wenn eine elektrische Last angeschlossen ist. Wenn der Sparschalter ausgeschaltet ist, läuft der Motor mit normaler Geschwindigkeit kontinuierlich.



### **! WARNUNG**

Für Zeiten mit hoher elektrischer Last oder kurzzeitigen Schwankungen sollte der Economy-Steuerschalter ausgeschaltet werden.

## 12V DC Steckdose

Die 12V DC-Steckdose kann mit dem mitgelieferten Ladekabel und dem USB-Ladegerät und anderen handelsüblichen 12V DC Automotive-Steckern verwendet werden. Der DC-Ausgang ist unreguliert und kann einige Produkte beschädigen. Vergewissern Sie sich, dass Ihr Zubehör-Eingangsspannungsbereich mindestens 12-24V DC beträgt. Wenn Sie die DC-Steckdose verwenden, stellen Sie den Economy-Modus-Schalter auf die Position "OFF".

### **! WARNUNG**

Betreiben Sie ein Gerät nicht, während es an die 12V DC-Steckdose angeschlossen ist.

Längere Einwirkung von Motorabgasen kann zu schweren Verletzungen oder zum Tod führen.

### **! WARNUNG**

Platzieren Sie ein Gerät während des Ladevorgangs nicht auf der Abgasseite des Generators. Extreme Hitze, die durch Abgase verursacht wird, kann das Gerät beschädigen und eine potenzielle Brandgefahr darstellen.

## Anschließen von elektrischen Verbrauchern

1. Lassen Sie den Motor nach dem Start für einige Minuten stabilisieren und erwärmen.
2. Stecken Sie die gewünschten, einphasigen 230V 50Hz Verbraucher ein und schalten Sie sie ein.
  - Schließen Sie KEINE 3-phasigen Lasten an den Generator an.
  - Schließen Sie KEINE 60 Hz Lasten an den Generator an
  - Den Generator NICHT überlasten.

### **HINWEIS**

Der Anschluss eines Generators an die Stromleitungen Ihres Energieversorgungsunternehmens oder an eine andere Stromquelle kann rechtswidrig sein. Hinzu kommt, dass bei unsachgemäßer Anwendung der Generator sowie angeschlossene Geräte beschädigt werden können. Des Weiteren kann dies zu schweren Verletzungen oder sogar zum Tod für Sie oder einen Elektriker führen, der an nahegelegenen Stromleitungen arbeitet. Wenn Sie planen, einen tragbaren Stromerzeuger während eines Stromausfalls zu betreiben, benachrichtigen Sie bitte sofort Ihr Energieversorgungsunternehmen und denken Sie daran, Ihre Geräte direkt an den Generator anzuschließen. Schließen Sie den Generator nicht an eine Steckdose in Ihrem Haus an. Auf diese Weise könnte eine Verbindung zum Energieversorger hergestellt werden. Sie sind dafür verantwortlich, dass der Strom Ihres Generators nicht in die Stromleitungen der Elektrizitätswerke zurückgespeist wird. Wenn der Generator an eine gebäudetechnische Anlage angeschlossen wird, wenden Sie sich an Ihr örtliches Versorgungsunternehmen oder einen qualifizierten Elektriker. Die Anschlüsse müssen die Generatorleistung von der Netzleistung trennen und alle geltenden Gesetze und Vorschriften einhalten.

DE

## Parallelbetrieb

Zwei (2) Champion-Modell 730011-DF (EU) Generatoren können parallel betrieben werden, um die verfügbare elektrische Gesamtleistung zu erhöhen. Für den Parallelbetrieb ist ein Parallelkit CPGPARKIT3K des Champion-Modells (Sonderausstattung) erforderlich. Für die Verfügbarkeit des Kits wenden Sie sich bitte an den Kundendienst Ihres örtlichen Händlers. Detaillierte Anweisungen zur Installation und zum Betrieb der angeschlossenen Generatoren finden Sie in der Betriebsanleitung und in der Betriebsanleitung des Parallel-Kits.

# BETRIEB

## Generator nicht überlasten

### Kapazität

Befolgen Sie diese einfachen Schritte, um die für Ihre Zwecke erforderlichen Lauf- und Startwerte zu berechnen.

1. Wählen Sie die elektrischen Geräte aus, die Sie gleichzeitig betreiben möchten.
2. Addieren Sie die Laufleistung in Watt dieser Geräte. Diese Wattleistung wird benötigt um die Verbraucher am laufen zu halten.
3. Identifizieren Sie die höchste Anlaufleistung aller in Schritt 1 genannten Geräte. Fügen Sie diese Zahl zu der in Schritt 2 berechneten Summe hinzu. Die Spitzenleistung ist der zusätzliche Leistungsschub, der benötigt wird, um einige elektrisch betriebene Geräte zu starten. Wenn Sie die unter "Power Management" aufgeführten Schritte ausführen, wird sichergestellt, dass jeweils nur ein Gerät gestartet wird.

### Energie Management

Verwenden Sie die folgende Formel, um Spannung und Stromstärke in Watt umzuwandeln:

$$\text{Volt} \times \text{Ampere} = \text{Watt}$$

Um die Lebensdauer Ihres Generators und der angeschlossenen Geräte zu verlängern, führen Sie diese Schritte aus, um elektrische Verbraucher hinzuzufügen:

1. Starten Sie den Generator ohne angeschlossene elektrische Last.
2. Lassen Sie den Motor einige Minuten laufen, um sich zu stabilisieren.
3. Schließen Sie den Verbraucher mit der höchsten elektrischen Last zuerst an.
4. Lassen Sie den Motor stabilisieren.
5. Schließen Sie den nächsten Verbraucher an
6. Lassen Sie den Motor stabilisieren.
7. Wiederholen Sie die Schritte 5-6 für jede weiteren Verbraucher.

### HINWEIS

Überschreiten Sie niemals die angegebene Kapazität, wenn Sie dem Generator Lasten hinzufügen.

## Abstellen des Motors

1. Schalten Sie alle elektrischen Verbraucher aus und ziehen Sie den Netzstecker. Starten oder stoppen Sie den Generator niemals, wenn elektrische Geräte angeschlossen oder eingeschaltet sind.
2. Lassen Sie den Generator einige Minuten im Leerlauf laufen, um die Innentemperaturen von Motor und Generator zu stabilisieren.
3. Drehen Sie das Kraftstoffventil in die Position "OFF".
4. Lassen Sie den Motor laufen, bis der Kraftstoffmangel den Motor gestoppt hat. Dies dauert in der Regel einige Minuten.
5. Drehen Sie den Zündschalter in die Position "OFF".
6. Drehen Sie (wenn vorhanden) den Batterieschalter auf die Position "OFF".

**Wichtig:** Stellen Sie immer sicher, dass sich das Kraftstoffventil, der Zündschalter und der Batterieschalter in der Position "AUS" befinden, wenn der Motor nicht in Betrieb ist.

### HINWEIS

Wenn Sie den Generator nach dem LPG-Betrieb ausschalten, stellen Sie sicher, dass sich der LPG-Zylinderknopf in der vollständig geschlossenen Position befindet.

### HINWEIS

Wenn der Motor für einen Zeitraum von zwei (2) Wochen oder länger nicht benutzt wird, lesen Sie bitte im Abschnitt Lagerung nach, wie Sie den Motor und den Kraftstoff ordnungsgemäß lagern können.

### HINWEIS

Drehen Sie den Batterieschalter immer auf die Position "AUS", wenn das Gerät nicht verwendet wird, da dies verhindert, dass der Akku entleert wird. Befolgen Sie die Wartungs- und Lagerungsanweisungen für den Generator und die Batterie, wenn das Gerät für einen Zeitraum von 2 Wochen oder mehr nicht benutzt wird.



## Betrieb in großer Höhe

Die Dichte der Luft in großer Höhe ist geringer als auf Meereshöhe. Die Motorleistung wird reduziert, wenn die Luftmasse und das Luft-Kraftstoff-Verhältnis abnehmen. Die Motorleistung und die Generatorleistung werden um ca. 3½% pro 1000 ft. Höhe über dem Meeresspiegel reduziert. Dies ist ein natürlicher Trend und kann durch Einstellen des Motors nicht geändert werden. In großen Höhen können auch erhöhte Abgasemissionen durch die erhöhte Anreicherung des Luft-Kraftstoff-Verhältnisses entstehen. Andere Probleme in großer Höhe können Kaltstart, erhöhter Kraftstoffverbrauch und Verschmutzung der Zündkerze sein.

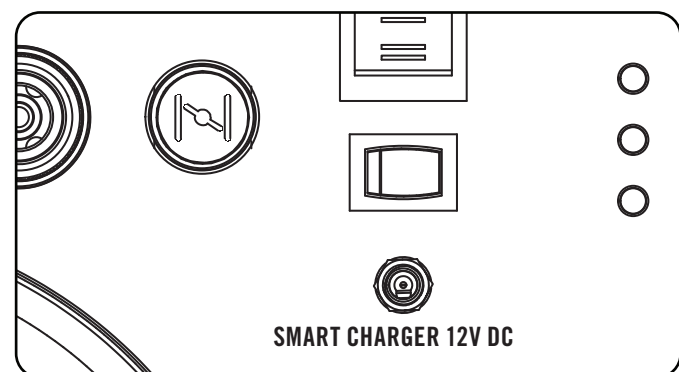
## Überlastbetrieb

Die Überlastanzeige leuchtet auf, wenn die Nennlast überschritten wird. Wenn die maximale Last erreicht ist, blinkt die LED und unterbricht die Stromversorgung zu den Steckdosen. Um die Leistung wiederherzustellen, schalten Sie den Motor ab, warten Sie, bis das Licht erlischt und starten Sie den Generator neu.

## Intelligentes Ladegerät

Das mitgelieferte intelligente Ladegerät ist ein Gerät, mit dem die Generatorbatterie aufgeladen wird. Das intelligente Ladegerät wird an den Generator, an den DC-Eingang auf der Vorderseite und dann an eine Haushaltssteckdose angeschlossen. Das Ladegerät leuchtet auf. Wenn der Akku aufgeladen oder aufgeladen werden muss, leuchtet das rote Licht auf. Wenn der Akku gut ist und nicht aufgeladen werden muss oder den Ladevorgang abgeschlossen hat, leuchtet das grüne Licht auf. Das intelligente Ladegerät ist so programmiert, dass es nicht lädt oder den Ladevorgang stoppt, wenn die Lampe grün leuchtet. Dies ist eine Sicherheitsfunktion, die dazu beiträgt, Schäden an Batterie und Generator zu vermeiden.

DE



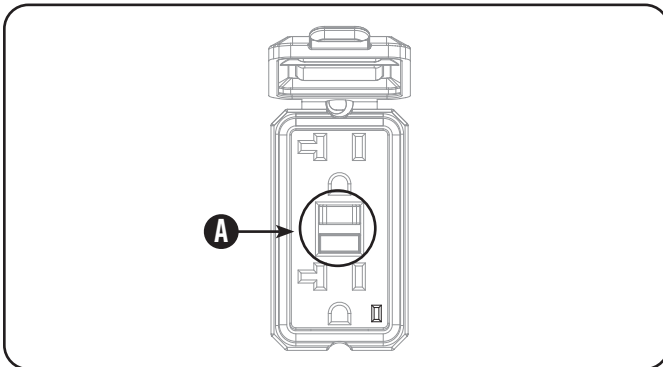
### HINWEIS

Wenn der Akku vollständig leer ist und keine Ladung hält, kann das intelligente Ladegerät an eine Stromquelle angeschlossen werden, um die Stromversorgung der Drossel zu ermöglichen.

# BETRIEB

## GFCI

Ihr Generator ist mit zwei (2) Duplexen des FISchutzschalters (GFCI) ausgestattet. Im Falle eines Erdschlusses löst ein GFCI automatisch aus, um den Stromfluss zu stoppen und schwere Verletzungen zu vermeiden. Die grüne Anzeileuchte an der Buchse erlischt ebenfalls. Drücken Sie den Rückstellknopf an der Vorderseite der Steckdose, um den Stromfluss wiederherzustellen. (A) Die grüne Kontrollleuchte leuchtet ebenfalls wieder auf. GFCI schützt nicht vor Stromkreisüberlastungen.



Um den ordnungsgemäßen Betrieb des GFCI-Duplexes zu gewährleisten, führen Sie diesen Test monatlich durch:

1. Stecken Sie bei laufendem Generator eine Lampe in die GFCI-Buchse. Schalten Sie die Lampe ein.
2. Drücken Sie die Taste "Test" auf der Vorderseite der Buchse, um das Gerät auszuschalten. (A) Dies sollte den Stromfluss sofort stoppen und die Lampe ausschalten. Wenn der Strom nicht unterbrochen wird, verwenden Sie diese Steckdose erst, wenn sie gewartet oder ersetzt wurde.
3. Drücken Sie die Taste "Reset" an der Vorderseite der Steckdose, um den Stromfluss wiederherzustellen. Wenn die Kontrollleuchte nicht erlischt und wieder leuchtet oder wenn der GFCI nicht zurückgesetzt werden kann, muss sie ausgetauscht werden.

## ! WARNUNG

Damit die GFCI-Buchsen ordnungsgemäß funktionieren, muss der Neutraleiter mit der Erde oder dem Generatorrahmen verbunden werden. Ihr Champion-Generator wird mit dem Neutraleiter geliefert, der bereits mit dem Rahmen verbunden ist. Wenn der Bonddraht entfernt wird, funktionieren die GFCI-Buchsen nicht mehr wie vorgesehen. Wenn der Neutraleiter zur Aufnahme einer Transferschalterinstallation für den Anschluss an ein Haus entfernt wird, oder Gebäude, dann darf der Umschalter die neutrale Verbindung zur Erde innerhalb des Gebäudes nicht ausschalten. Champion Power Equipment empfiehlt, dass Sie sich an einen zugelassenen, lokalen Elektriker wenden. Aufgrund der Vielzahl der örtlichen Vorschriften können wir Sie nicht ausdrücklich über Änderungen in der Verkabelung Ihres tragbaren Generators beraten.

Der Eigentümer/Betreiber ist für alle regelmäßigen Wartungsarbeiten verantwortlich.

## ! WARNUNG

Betreiben Sie niemals einen beschädigten oder defekten Generator.

## ! WARNUNG

Manipulationen am werkseitig eingestellten Regler führen zum Erlöschen der Garantie.

## ! WARNUNG

Unsachgemäße Wartung führt zum Erlöschen der Garantie.

## ! HINWEIS

Die Wartung, der Austausch oder die Reparatur von emissionsmindernden Vorrichtungen und Systemen darf nur von Fachleuten durchgeführt werden.

Führen Sie alle geplanten Wartungsarbeiten rechtzeitig durch. Beheben Sie alle Probleme, bevor Sie den Generator in Betrieb nehmen.

## Motorwartung

Um ein versehentliches Starten zu verhindern, entfernen und erden Sie das Zündkerzenkabel, bevor Sie eine Wartung durchführen.

## Öl

Wechseln Sie das Öl, wenn der Motor warm ist. Lesen Sie die Ölspezifikation, um die richtige Ölart für Ihre Betriebsumgebung auszuwählen.

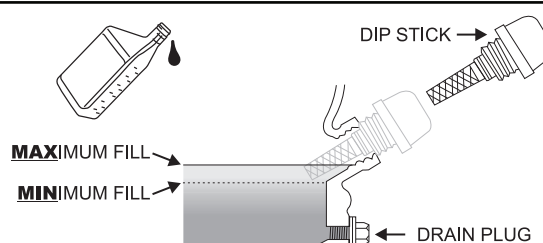
1. Stellen Sie den Generator auf eine Werkbank oder einen Tisch.
2. Lösen Sie die Deckelschrauben und entfernen Sie die Wartungsabdeckung.
3. Öffnen Sie den Gummipropfen von unten unter der Ablassschraube.
4. Entfernen Sie die Ablassschraube.
5. Kippen Sie den Generator auf seiner Seite und lassen Sie das Öl vollständig ablaufen.
6. Setzen Sie die Ablassschraube wieder ein.
7. Fügen Sie Standardmotorenöl hinzu und ersetzen Sie den Öleinfülldeckel/Messstab. NICHT ÜBERFÜLLEN.

## Öl Fortsetzung

8. Montieren Sie die Wartungsabdeckung wieder und ziehen Sie die Deckelschrauben an.
9. Entsorgen Sie Altöl in einer zugelassenen Entsorgungseinrichtung.

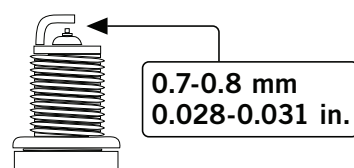
## ! HINWEIS

Seichtaktkontrolle zeigen, dass das Öl ca. 1-2 Gewindegänge aus der Einfüllöffnung ausläuft. Wenn Sie den Ölmesstab zur Ölstandskontrolle verwenden, schrauben Sie den Ölmesstab während der Kontrolle NICHT ein.



## Zündkerze

1. Entfernen Sie das Zündkerzenkabel von der Zündkerze.
2. Verwenden Sie einen Zündkerzenschlüssel (nicht im Lieferumfang enthalten), um die Kerze zu entfernen.
3. Überprüfen Sie die Elektrode am Stecker. Er muss sauber und nicht abgenutzt sein, um den für die Zündung erforderlichen Funken zu erzeugen.
4. Stellen Sie sicher, dass die Zündkerzenlücke 0,7 - 0,8 mm oder (0,028 - 0,031 in.) beträgt.



5. Beachten Sie beim Austausch der Kerze die Zündkerzenempfehlungstabelle.
6. Den Stopfen vorsichtig in den Motor einschrauben.
7. Verwenden Sie die Zündkerzenstecker (nicht im Lieferumfang enthalten), um die Kerze festzuziehen.
8. Befestigen Sie das Zündkerzenkabel an der Kerze.

## 73001i-DF(EU)

OEM-Zündkerze: NHSP F6RTC

Ersatz-Zündkerze: NGK BPR6ES oder gleichwertig

Stellen Sie sicher, dass die Zündkerzenlücke 0,7 - 0,8 mm oder (0,028 - 0,031 in.) beträgt.

## Wartung Ventilspielraum

- Einlass 0.06 - 0.12 mm (0.002 - 0.005 in.)

- Auspuff: 0.08 - 0.14 mm (0.003 - 0.006 in.)

# WARTUNG & LAGERUNG

## Luftfilter

1. Entfernen Sie die Wartungsabdeckung.
2. Suchen Sie die Kunststoffabdeckung des Luftfilters.
3. Lösen Sie das Verriegelungsgelenk am Deckel.
4. Entfernen Sie den alten Filter.
5. Setzen Sie den neuen Filter in die Baugruppe ein.
6. Setzen Sie das Scharnier an der Luftfilterabdeckung wieder ein.
7. Montieren Sie die Wartungsabdeckung wieder und ziehen Sie die Deckelschraube fest an.

## Funkenschutz

1. Lassen Sie den Motor vollständig abkühlen, bevor Sie den Funkenschutz warten.
2. Entfernen Sie die beiden Schrauben, die die Abdeckplatte halten, die das Ende des Funkenschutzes am Schalldämpfer hält.
3. Entfernen Sie das Sieb des Funkenschutzes.
4. Entfernen Sie die Kohlenstoffablagerungen vom Funkenschutzsieb vorsichtig mit einer Drahtbürste.
5. Ersetzen Sie den Funkenschutz, wenn er beschädigt ist.
6. Positionieren Sie den Funkenschutz im Schalldämpfer und befestigen Sie ihn mit den beiden Schrauben.

### ! VORSICHT

Wenn der Funkenschutz nicht gereinigt wird, führt dies zu einer Verschlechterung der Motorleistung.

## Reinigung

### ! VORSICHT

Besprühen Sie den Generator NICHT mit Wasser.

Wasser kann das Kraftstoffsystem verunreinigen.

Verwenden Sie ein feuchtes Tuch, um die Außenflächen des Generators zu reinigen. Verwenden Sie eine weiche Borstenbürste, um Schmutz und Öl zu entfernen. Verwenden Sie einen Luftkompressor (25 PSI), um Schmutz und Ablagerungen aus dem Generator zu entfernen.

## Anpassungen

Das Luft-Kraftstoff-Gemisch ist nicht einstellbar. Manipulationen am Regler können Ihren Generator und Ihre elektrischen Geräte beschädigen und führen zum Erlöschen der Garantie.

## Wartungsplan

Befolgen Sie die in der folgenden Wartungsübersicht angegebenen Wartungsintervalle.

Warten Sie Ihren Generator häufiger, wenn Sie unter widrigen Bedingungen arbeiten.

Alle 8 Stunden oder täglich	
	Ölstand prüfen
	Reinigen Sie den Lufteinlass und den Schalldämpfer.
	Kontrollieren Sie die Slangen auf Leckagen
Erste 5 Stunden	
	Ölwechsel
Alle 50 Stunden oder zu jeder Jahreszeit	
	Luftfilter reinigen
	Ölwechsel, bei Betrieb unter hoher Last oder in heißer Umgebung
Alle 100 Stunden oder zu jeder Jahreszeit	
	Ölwechsel
	Zündkerze reinigen/einstellen
	Ventilspiel prüfen/einstellen*.
	Funkenschutz reinigen
	Kraftstofftank und Filter reinigen*.
Alle 250 Stunden	
	Brennkammer reinigen*
Alle 3 Jahre	
	Ersetzen Sie die Kraftstoffleitung und den LPG-Schlauch.

\*Ausführung durch sachkundige, erfahrene Eigentümer oder von Champion Power Equipment zertifizierte Händler.

## Generator-Batterie

Dieses Produkt ist mit einer automatischen Batterieladeschaltung ausgestattet. Die Batterie erhält bei laufendem Motor eine Ladespannung. Die Batterie hält die Ladung aufrecht, wenn das Gerät regelmäßig (etwa alle zwei Wochen) benutzt wird. Wenn die Batterie seltener verwendet wird, sollte sie an ein Erhaltungsladegerät (im Lieferumfang enthalten) angeschlossen werden, um die Batterie ordnungsgemäß aufzuladen. Wenn die Batterie nicht in der Lage ist, den Motor zu starten, kann durch manuelles Ziehen am Seilzug gestartet werden. Wenn die Batteriespannung extrem niedrig ist, kann der Ladekreis die Batterie möglicherweise nicht wieder aufladen. In diesem Fall muss die Batterie an ein handelsübliches Batterieladegerät angeschlossen werden, um sie wieder aufzuladen, bevor sie verwendet werden kann.

## Laden der Batterie

Bei einem Generator, der mit Batterien für den elektrischen Start ausgestattet ist, ist die ordnungsgemäße Wartung und Lagerung der Batterie zu beachten. Zum Aufladen der Batterie sollte ein automatisches Ladegerät (im Lieferumfang enthalten) mit automatischer Ladefunktion verwendet werden. Die maximale Ladeleistung sollte 1,5 Ampere nicht überschreiten. Befolgen Sie die Anweisungen, die dem Batterieladegerät beiliegen. Die Batterie sollte mindestens einmal im Monat vollständig geladen werden.

### HINWEIS

Ein Batterieladeerhaltungsgerät hält den Batteriezustand über lange Lagerzeiten aufrecht.

## Batterie abklemmen

1. Entfernen Sie die Abdeckung des Batteriefachs.
2. Entfernen Sie die Schutzabdeckung vom schwarzen/negativen Batteriekabel.
3. Trennen Sie das schwarze/negative Kabel von der schwarzen/negativen Klemme der Batterie und bewahren Sie die Zylinderschraube und die Mutter auf.
4. Wiederholen Sie die Schritte 1-2 für das rot/positive Batteriekabel.
5. Bewahren Sie die Batterie an einem kühlen, trockenen Ort auf.

## Wartung des Generators

Stellen Sie sicher, dass der Generator sauber gehalten und ordnungsgemäß gelagert wird. Betreiben Sie das Gerät nur auf einem flachen, ebenen Untergrund in einer sauberen, trockenen Betriebsumgebung. Setzen Sie das Gerät NICHT extremen Bedingungen, übermäßigem Staub, Schmutz, Feuchtigkeit oder korrosiven Dämpfen aus.

### VORSICHT

Verwenden Sie KEINEN Gartenschlauch zur Reinigung

Durch die Kühlschlitze kann Wasser in den Generator eindringen und die Generatorwicklungen beschädigen.

Verwenden Sie ein feuchtes Tuch, um die Außenflächen des Generators zu reinigen. Verwenden Sie eine weiche Borstenbürste, um Schmutz und Öl zu entfernen. Verwenden Sie einen Luftkompressor (25 PSI), um Schmutz und Ablagerungen aus dem Generator zu entfernen. Überprüfen Sie alle Lüftungsöffnungen und Kühlschlitze auf Sauberkeit und Unversehrtheit.

# WARTUNG & LAGERUNG

## Lagerung

Der Generator sollte mindestens einmal alle 14 Tage gestartet und mindestens 20 Minuten laufen gelassen werden. Für eine längerfristige Lagerung beachten Sie bitte diese Richtlinien.

### Lagerung des Generators

1. Fügen Sie einen Kraftstoffstabilisator in den Tank.
2. Stellen Sie sicher, dass alle Geräte vom Generator getrennt sind.
3. Lassen Sie den Generator für einige Minuten laufen, damit der behandelte Kraftstoff durch das Kraftstoffsystem und den Vergaser fließt.
4. Drehen Sie das Kraftstoffventil in die Position "Aus".
5. Lassen Sie den Generator laufen, bis der Kraftstoffmangel den Motor gestoppt hat. Dies dauert in der Regel einige Minuten.
6. Der Generator muss vor der Reinigung und Lagerung vollständig abgekühlt sein.
7. Entfernen Sie den Zündkerzenstecker und ziehen Sie dann 3 mal am Rückstoßgriff, um das Benzin aus den Vergaserdüsen abzulassen.
8. Wechseln Sie das Motoröl.
9. Entfernen Sie die Zündkerze und gießen Sie etwa einen Esslöffel Öl in den Zylinder. Starten Sie den Motor langsam, um das Öl zu verteilen und den Zylinder zu schmieren.
10. Setzen Sie die Zündkerze wieder ein.
11. Lagern Sie das Gerät an einem sauberen, trockenen Ort und vor direkter Sonneneinstrahlung geschützt.

### **GEFAHR**

Das Abgas des Generators enthält geruchloses und farbloses Kohlenmonoxidgas.

Um ein versehentliches oder unbeabsichtigtes Zünden Ihres Fernstartgenerators während der Lagerung zu vermeiden, sollten die folgenden Vorsichtsmaßnahmen getroffen werden:

- Wenn Sie den Generator für kurze Zeit aufbewahren, stellen Sie sicher, dass der Zündschalter, das Kraftstoffventil und der Batterieschalter auf AUS stehen.
- Bei längerer Lagerung des Generators ist darauf zu achten, dass der Zündschalter, das Kraftstoffventil und der Batterieschalter auf AUS gestellt sind und die Batterieleitungen von der Batterie getrennt wurden.

Problem	Ursache	Lösung
Der Generator startet nicht.	Kein Kraftstoff	Kraftstoff hinzufügen
	Defekte Zündkerze	Zündkerze ersetzen
	Verbraucher beim Start angeschlossen	Verbraucher vom Gerät trennen
Der Generator startet nicht; Der Generator startet, läuft aber unrund.	Niedriger Ölstand	Kurbelgehäuse auf die richtige Höhe befüllen
		Stellen Sie den Generator auf einen flachen, ebenen Untergrund.
	Choke in der falschen Position	Choke korrekt einstellen
Der Generator startet nicht per Funkstart.	Zündkerzenkabel lose	Kabel an der Zündkerze befestigen
	Die Batterie der Fernbedienung ist leer.	Batterie der Fernbedienung ersetzen
	Generatorbatterie ist leer	Generatorbatterie aufladen
Der Generator startet nicht elektrisch.	Der Batterieschalter befindet sich in der Position "OFF"	Batterieschalter auf die Position "ON" stellen.
	Generatorbatterie ist leer	Generatorbatterie aufladen
Der Generator schaltet sich während des Betriebs ab.	Der Batterieschalter befindet sich in der Position "OFF"	Batterieschalter auf die Position "ON" stellen.
	Kein Kraftstoff mehr	Kraftstofftank füllen
Der Generator kann nicht genügend Leistung liefern oder überhitzt.	Niedriger Ölstand	Kurbelgehäuse bis zum richtigen Niveau befüllen. Stellen Sie den Generator auf einen flachen, ebenen Untergrund.
	Generator ist überlastet	Überprüfen Sie die Last und passen Sie sie an. Siehe "Energiemanagement".
Keine AC-Leistung.	Unzureichende Belüftung	Überprüfen Sie die Lufteinschränkung. Stellen Sie den Generator in einen gut belüfteten Bereich.
	Kabel nicht richtig angeschlossen	Überprüfen Sie alle Verbindungen
	Angeschlossener Verbraucher ist defekt	Defekten Verbraucher ersetzen
	Der Leistungsschalter ist ausgeschaltet	Leistungsschalter zurücksetzen
	Lose Verkabelung	Überprüfen und festziehen der Kabelverbindungen
Wiederholtes Auslösen des Leistungsschalters.	Sonstiges	Kontaktieren Sie die Hotline
	Überlastung	Überprüfen Sie die Last und passen Sie sie an. Siehe "Energiemanagement".
	Fehlerhafte Kabel oder Verbraucher	Überprüfen Sie, ob die Drähte beschädigt, blank oder ausgefranst sind. Defekte Verbraucher ersetzen

DE

# INTRODUCTION

---

## Johdanto

Onnea invertterigeneraattorin hankinnasta. Säilytä nämä ohjeet asianmukaisesti.

## Kannettava virtageneraattori

Tämä laite on bensiinimoottorikäyttöinen vaihtovirtageneraattori, jota käytetään sähkön syöttöön.

## Varusteet

CPE valmistaa ja toimittaa erilaisia lisävarusteita. Lisätietoja saa paikalliselta jälleenmyyjältä.

## Tämä opas

Pidätämme oikeuden muuttaa tai parantaa tuotetta ja tätä käyttöopasta ilman erillistä ilmoitusta

---

Kirjaa malli- ja sarjanumerot sekä ostopäivä ja -paikka tulevaa tarvetta varten. Pidä nämä tiedot saatavilla osia tilattaessa ja teknisiä tai takuukyselyjä tehtäessä.

Champion Power Equipment -tuki
Mallinumero
Sarjanumero
Ostopäivä
Ostopaikka



Tutustu seuraaviin symboleihin. Turvasymbolit ja avainsanat ovat turvallisuusvaroituksia. Noudata kaikkia turvaohjeita onnettomuuksien tai loukkaantumisten välttämiseksi.

### DANGER

VAARA tarkoittaa välitöntä vaaratilannetta, joka **johtaa** kuolemaan tai vakavaan loukkaantumiseen, jos sitä ei vältetä.

### WARNING

VAROITUS tarkoittaa mahdollista vaaratilannetta, joka **voi johtaa** kuolemaan tai vakavaan loukkaantumiseen.

### CAUTION

HUOMAUTUS tarkoittaa mahdollista vaaratilannetta, joka **voi johtaa** lievään tai kohtalaiseen loukkaantumiseen.

### CAUTION

HUOMAUTUS käytettynä ilman turvahälytyssymbolia tarkoittaa mahdollisesti vaarallista tilannetta, joka **voi johtaa** omaisuusvahinkoihin, jos sitä ei vältetä.

### NOTE

Jos sinulla on kysymyksiä generaattoristasi, voimme auttaa. Ota yhteyttä paikalliseen jälleenmyyjään.

# SAFETY RULES

## WARNING

Lue tämä opas huolellisesti ennen generaattorin käyttöä. Ohjeiden noudattamatta jättäminen voi johtaa vakaviin vammoihin tai kuolemaan.

## WARNING

Tämän tuotteen moottorin pakokaasut sisältävät kemikaaleja, joiden tiedetään aiheuttavan vakavia terveysongelmia ja jopa kuoleman.

## DANGER

Generaattorin pakokaasu sisältää hiilimonoksidia eli häkää, joka on väritöntä ja hajutonta myrkykaasua. Hiilimonoksidin hengittäminen aiheuttaa pahoinvointia, huimausta, pyörtymisen tai kuoleman. Jos huomaat huimausta tai heikotusta, siirry heti raittiiseen ilmaan.

Käytä generaattoria ulkona hyvin tuulettuvassa tilassa.

ÄLÄ käytä generaattoria rakennuksen sisällä, mukaan lukien autotallit, kellarit, ryömintätilat ja suojat, kotelot tai osastot, mukaan lukien huvijoneuvon generaattoritila.

ÄLÄ päästä pakokaasuja umpinaiseen tilaan ikkunoiden, ovien, tuuletusaukkojen tai muiden aukkojen kautta.

**VAARALLISTA HÄKÄÄ:** generaattorin käyttö sisätiloissa **VOI TAPPAA MINUUTEISSA.**

## DANGER

Generaattori tuottaa tehokasta jännitettä

ÄLÄ kosketa paljaita johtoja tai pistorasioita. ÄLÄ käytä sähköjohtoja, jotka ovat kuluneet, vaurioituneet tai rispaantuneet.

ÄLÄ käytä generaattoria märällä säällä.

ÄLÄ anna lasten tai epäpätevien henkilöiden käyttää tai huoltaa generaattoria.

Käytä vikavirtasuojakytkintä (GFCI) kosteissa ja johtavaa materiaalia sisältävissä tiloissa, kuten metallikansilla.

Käytä hyväksytyjä siirtolaitteita eristämään generaattori sähkölaitteistasi ja ilmoita siitä sähköyhtiöllesi ennen generaattorin kytkemistä sähköjärjestelmään.

## WARNING

Kipinät voivat aiheuttaa tulipalon tai sähköiskun.

**Generaattoria huollettaessa:**

Irrota sytytystulpan johto ja pistoke.

ÄLÄ tarkista kipinää tulpan ollessa irrotettuna.

Käytä vain hyväksytyjä sytytystulppien testilaitteita.

## WARNING

Käynnissä olevat moottorit tuottavat lämpöä. Kosketus voi aiheuttaa vakavia palovammoja. Palava materiaali voi syttyä kosketuksesta.

ÄLÄ kosketa kuumia pintoja.

Vältä kosketusta kuumien pakokaasujen kanssa.

Anna laitteen jäähtyä ennen sen koskettamista.

Jätä vähintään 3 jalan (noin 90 cm:n) etäisyys laitteen ympärille ilmankierron varmistamiseksi.

Jätä vähintään 5 jalan (1,5 metrin) etäisyys syttyviin materiaaleihin.

## WARNING

Lääketieteelliset ja elämää ylläpitävät käyttötarkoitukset

Soita hätätilanteissa hätänumeroon.

ÄLÄ KOSKAAN käytä tätä tuotetta elämän ylläpitämiseen tai tukemiseen tarkoitettujen laitteiden virtalähteenä.

ÄLÄ KOSKAAN käytä tätä tuotetta lääkinnällisten laitteiden tai varusteiden virtalähteenä.

Ilmoita heti sähköntoimittajallesi, jos sinä tai joku kotitaloudestasi olette riippuvaisia sähkölaitteista. Ilmoita välittömästi sähkötoimittajallesi, jos virran katkeaminen aiheuttaisi sinulle tai kenellekään kotitaloudessasi hätätilanteen.

## WARNING

Tämän laitteen käyttö voi aiheuttaa kipinöitä, jotka voivat aiheuttaa tulipalon kuivassa kasvillisuudessa.

Kipinäsuojaa voidaan tarvita. Käyttäjän on otettava yhteyttä paikalliseen palontorjuntaviranomaiseen saadakseen tietoja palontorjuntaa koskevista vaatimuksista.

## DANGER

Pyörivät osat voivat takertua käsiin, jalkoihin, hiuksiin, vaatteisiin ja/tai tarvikkeisiin. Seurauksena voi olla irti repeytyminen tai vakava avohaava.

Pidä kädet ja jalat kaukana pyörivistä osista. Sido pitkät hiukset kiinni ja riisu korut. Käytä laitteita, joissa suojukset ovat paikoillaan. ÄLÄ käytä löysästi istuvia vaatteita, roikkuvia hihnoja tai mitään, mikä voi tarttua kiinni.

## WARNING

Käynnistysnarun nopea vetäminen vetää käsiä ja käsivarsia moottoria kohti nopeammin kuin voit vapauttaa narun. Tahaton käynnistys voi johtaa kiinni takertumiseen, raajojen irtoamiseen tai avohaavoihin. Seurauksena voi olla luunmurtumia, mustelmia tai nyrjähdyksiä.

Käynnistäessäsi moottoria vedä käynnistysnarusta hitaasti, kunnes tuntuu vastusta, ja vedä sitten narusta nopeasti välttääksesi takaiskun. ÄLÄ käynnistä tai pysäytä moottoria, joka on kytkettynä sähkölaitteisiin.

## CAUTION

Generaattorin käyttökapasiteetin ylittäminen voi vaurioittaa generaattoria ja/tai siihen kytkettyjä sähkölaitteita.

ÄLÄ ylikuormita generaattoria.

Käynnistä generaattori ja anna moottorin vakautua ennen sähkökuormien kytkemistä.

Kytke sähkölaitteet pois päältä ja kytke ne sitten takaisin päälle.

Sammuta sähkölaitteet ennen generaattorin sammuttamista.

ÄLÄ peukaloi säädelyä nopeutta.

ÄLÄ muuta generaattoria millään tavalla.

## CAUTION

Virheellinen käsittely tai generaattorin käyttö voi vahingoittaa sitä, lyhentää sen käyttöikää ja mitätöidä takuun.

Käytä generaattoria vain sille osoitettuihin käyttötarkoituksiin.

Käytä vain tasaisilla pinnoilla.

ÄLÄ altista generaattoria liialliselle kosteudelle, pölylle tai lialle.

ÄLÄ anna minkään materiaalin tukkia jäähdytysaukkoja.

Jos kytketyt laitteet ylikuumenevat, sammuta ne ja irrota ne generaattorista.

ÄLÄ käytä generaattoria, jos:

- Sähköä ei synny
- Laite kipinöi, savuaa tai liekehtii
- Laite tärisee voimakkaasti

# SAFETY RULES

## Polttoaineturvallisuus

### DANGER

#### **BENSIINI, BENSIINIHÖYRYT JA NESTEKAASU (LPG) OVAT HELPOSTI SYTTYVIÄ JA RÄJÄHTÄVIÄ.**

Tulipalo tai räjähdys voi aiheuttaa vakavia palovammoja tai kuoleman.

Tahaton käynnistys voi johtaa kiinni takertumiseen, raajojen irtoamiseen tai avohaavoihin.

#### **Bensiini ja bensiinihöyryt:**

- BENSIINI ON ERITTÄIN SYTTYVÄÄ JA RÄJÄHDYSSHERKKÄÄ.
- Bensiini voi aiheuttaa tulipaloon tai räjähdykseen syttyessään.
- Bensiini on nestemäinen polttoaine, mutta sen höyryt voivat syttyä.
- Bensiini on ihoa ärsyttävää, ja se on poistettava heti, jos sitä pääsee iholle tai vaatteisiin.
- Bensiinillä on selkeä hajunsa, mikä auttaa havaitsemaan mahdolliset vuodot nopeasti.
- Missä tahansa bensiinipalossa liekkiä ei tule sammuttaa ennen kuin polttoaineen syöttöventtiili on kiinni. Tämä johtuu siitä, että jos tulipalo sammuu mutta polttoaineen syöttöä ei sammuteta, räjähdysvaara on suuri.
- Bensiini laajenee tai supistuu ympäristön lämpötilojen mukaan. Älä koskaan täytä bensiinisäiliötä aivan täyteen, koska bensiinillä on oltava tilaa laajentua lämpötilan noustessa.

#### **Nestekaasu (propaani/LPG):**

- NESTEKAASU (PROPAANI) ON ERITTÄIN SYTTYVÄÄ JA RÄJÄHDYSSHERKKÄÄ.
- Paineenalainen palava kaasu voi aiheuttaa tulipaloon tai räjähdykseen.
- Nestekaasu (propaani) on ilmaa raskaampaa ja voi laskeutua mataliin paikkoihin haihtuessaan.
- Nestekaasulla (propaani) on selkeä hajunsa, mikä auttaa havaitsemaan mahdolliset vuodot nopeasti.
- Missä tahansa bensiinikaasupalossa liekkiä ei tule sammuttaa ennen kuin polttoaineen syöttöventtiili on kiinni. Tämä johtuu siitä, että jos tulipalo sammuu mutta polttoaineen syöttöä ei sammuteta, räjähdysvaara on suuri.
- Vaihtaessasi nestekaasupulloja varmista, että

kaasupullon venttiili on samaa tyyppiä.

- Pidä nestekaasupullo aina pystyssä.
- Nestekaasu polttaa ihoa, jos se joutuu kosketuksiin ihon kanssa. Pidä kaikki nestekaasut aina poissa iholta.

#### **Kun lisäät tai poistat bensiiniä:**

Sammuta generaattori ja anna sen jäähtyä vähintään kaksi minuuttia ennen polttoainesäiliön korkin irrottamista. Avaa korkkia hitaasti paineen vähentämiseksi säiliössä. Täytä tai tyhjennä polttoainetta vain ulkona hyvin tuulettuvassa tilassa.

ÄLÄ pumpkaa bensiiniä huoltoasemalla suoraan generaattoriin. Käytä hyväksyttyä säiliötä polttoaineen siirtämiseksi generaattoriin. ÄLÄ täytä polttoainesäiliötä liikaa. Pidä polttoaine aina suojassa kipinöiltä, avotulelta, merkkivaloilta, lämmöltä ja muista syttymislähteistä.

ÄLÄ sytytä tai polta savukkeita.

#### **Generaattoria käynnistettäessä:**

ÄLÄ yritä käynnistää vaurioitunutta generaattoria. Varmista, että bensiinikorkki, ilmansuodatin, sytytystulppa, polttoaineletkut ja pakojärjestelmä ovat kunnolla paikoillaan. Anna läikkyneen polttoaineen haihtua kokonaan ennen moottorin käynnistämistä. Varmista, että generaattori lepää tiukasti tasaisella pinnalla.

#### **Generaattoria käytettäessä:**

ÄLÄ siirrä tai kallista generaattoria käytön aikana. ÄLÄ kallista generaattoria tai anna polttoaineen tai öljyn vuotaa ulos.

#### **Generaattoria kuljettaessa tai huollettaessa:**

Varmista, että polttoaineen sulkuventtiili on kiinni ja polttoainesäiliö on tyhjä. Varmista, että nestekaasupullo ei ole kiinnitetty generaattoriin ja että se on turvallisesti kuljetettu pois. Irrota sytytystulpan johto.

#### **Generaattoria varastoitaessa:**

Varastoi suojassa kipinöiltä, avotulelta, merkkivaloilta, lämmöltä ja muista syttymislähteistä.

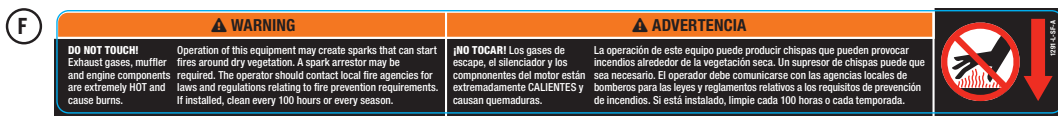
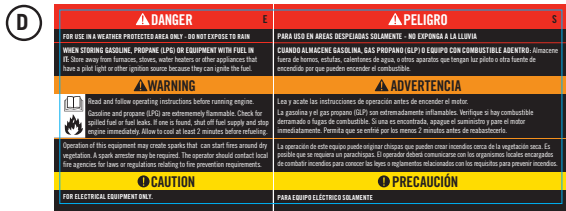
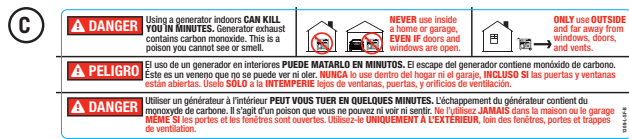
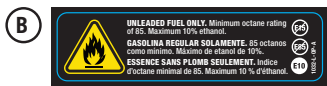
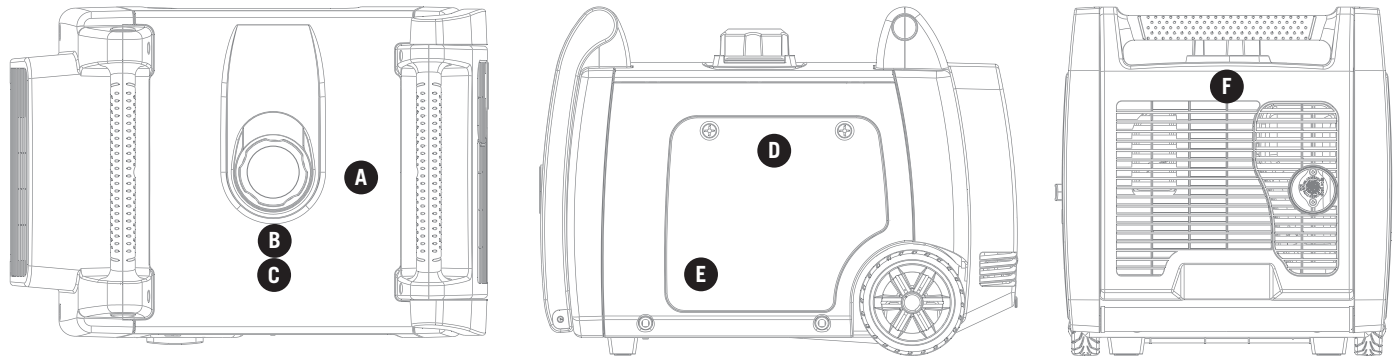
Älä säilytä generaattoria, bensiiniä tai nestekaasupulloja uunien, boilerien tai muiden laitteiden lähellä, jotka tuottavat lämpöä tai joissa on automaattinen sytytys.

### WARNING

Älä koskaan käytä bensiinisäiliötä, nestekaasulettoa, bensiinisäiliötä, nestekaasupulloa tai muita vaurioituneita tai siltä näyttäviä varusteita.

## Turvamerkintöjen sijainnit

Nämä merkinnät varoittavat mahdollisista vaaroista, jotka voivat aiheuttaa vakavia vammoja. Lue ne huolellisesti. Jos merkintä irtoaa tai sitä on vaikea lukea, ota yhteyttä jälleenmyyjään uuden hankkimiseksi.



# ASSEMBLY

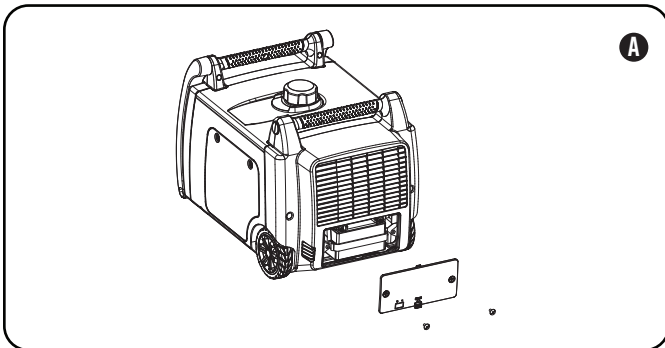
Generaattori vaatii jonkin verran kokoonpanoa. Tämä yksikkö toimitetaan tehtaalta ilman öljyä. Se on täytettävä asianmukaisesti polttoaineella ja öljyllä ennen käyttöä.

## Poista generaattori pakkauksesta

1. Aseta toimituspakkaus tukevalle, tasaiselle alustalle.
2. Poista pakkauksesta kaikki paitsi generaattori.
3. Poista generaattori varovasti laatikosta laitteen kantokahvoja käyttämällä. (Kahden ihmisen työpanos on suositeltavaa)

## Akun kytkeminen (sähköstartilla varustetut mallit)

1. Irrota kaksi (2) huoltosuojausten ruuvia ruuvitaltalla akun huoltokannesta. (A)
2. Kun ruuvit on irrotettu, kannen kuminen vetolevy voidaan vetää ulos, jotta huoltokansi löystyy ja irtoaa. (A)
3. Irrota akun huoltokansi. (A)
4. Leikkaa nippuside, joka sitoo akkukaapelit toisiinsa.



5. Kierrä akun pultti ruuvimeisselillä irti punaisesta plusnavasta (+).
6. Kytke punainen plusjohdin (+) akun plusnapaan (+) pultilla.
7. Vedä kumisuoja akkukaapelin liitännän ja akun navan päälle.
8. Toista vaiheet 5-7 mustan miinuskaapelin (-) akkukaapelin johdon ja mustan akun miinusnavan (-) kohdalla.

## Akun kytkentä, jatkoa

### NOTE

Jos akkukaapelit eivät ole näkyvissä, kun akun huoltokansi on irrotettu, huomaa, että kaapelit voivat olla kiinnitettyinä akun yläpuolelle.

## Moottoriöljyn lisääminen

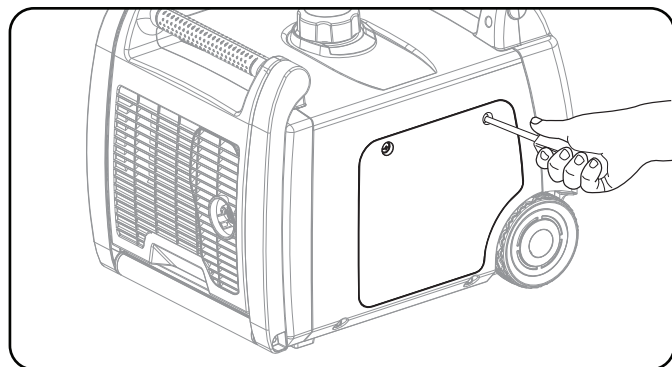
### ! CAUTION

ÄLÄ yritä pyörittää tai käynnistää moottoria ennen kuin sen öljymäärä on täynnä ja oikeaa, suositeltua tyyppiä. Näiden ohjeiden laiminlyönnistä generaattorille aiheutuvat vauriot mitätöivät takuun.

### NOTE

Suosittellemme autojen moottoriöljyä 10W-30.

1. Sijoita generaattori tasaiselle alustalle.
2. Avaa kannen ruuveja ja irrota huoltokansi.
3. Irrota öljytäyttökorkki/mittatikku öljyn lisäämiseksi.



4. Lisää öljy ja aseta öljytäyttökorkki/mittatikku paikalleen. ÄLÄ TÄYTÄ LIIKAA
5. Tarkista moottoriöljyn taso päivittäin ja lisää tarvittaessa.

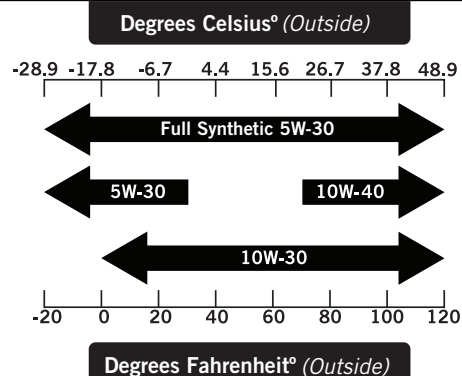
### NOTE

Kun öljyä on lisätty, silmämääräisessä tarkastuksessa tulee näkyä öljyä noin 1-2 kierteen mitalta täyttöaukosta. Jos käytät mittatikkuja öljytason tarkistamiseen, ÄLÄ ruuvaa mittatikkuja tarkistuksen aikana.

### NOTE

Tarkista öljyt usein sisäänajon aikana. Katso huolto-osioista suositellut huoltovälit.

## Moottoriöljyn lisääminen, jatkoa



### CAUTION

Moottori sammuu öljyn määrän ollessa liian vähäinen, ja käynti pysähtyy, kun kampikammion öljymäärä laskee alle kynnystason.

### NOTE

Generaattorin roottorissa on suljettu, esivoideltu kuulalaakeri, joka ei vaadi lisävoitelua koko laakerin eliniän aikana.

### NOTE

Pidämme ensimmäisiä 5 käyttötuntia yksikön sisäänajojaksona. Taukojakson aikana tulee käyttää 50 % tai vähemmän käyttötehosta. Vaihda kuormaa ajoittain, jotta staattorin käämit voivat kuumentua ja jäähtyä. Kuorman säätäminen muuttaa myös moottorin nopeutta ja auttaa männärenkaita asettumaan. Vaihda öljy 5 tunnin sisäänajojakson jälkeen.

### NOTE

Viiden tunnin sisäänajojakson jälkeen voidaan käyttää synteettistä öljyä. Synteettisen öljyn käyttö ei pidennä suositeltua öljynvaihtoväliä.

### NOTE

Sää vaikuttaa moottoriöljyn ja moottorin suorituskykyyn. Vaihda käytettyä moottoriöljytyyppiä sääolosuhteiden perusteella moottorin tarpeisiin sopivaksi.



# ASSEMBLY

## Polttoaineen lisääminen (benssiini)

1. Käytä puhdasta, tuoretta, normaalia lyijytöntä polttoainetta, jonka oktaaniarvo on vähintään 85 ja etanolipitoisuus alle 10 tilavuusprosenttia.
2. ÄLÄ sekoita öljyä polttoaineeseen.
3. Puhdista alue polttoainesäiliön korkin ympäriltä.
4. Irrota polttoainesäiliön korkki.
5. Lisää polttoainetta hitaasti säiliöön. ÄLÄ TÄYTÄ LIIKAA Polttoaine voi laajentua täyten jälkeen. Vähintään 1/4 tuumaa (6,4 mm) jäljellä olevaa tilaa polttoainesäiliössä tarvitaan polttoaineen laajenemisen varalta. Suositus on yli 1/4 tuumaa (6,4 mm). Polttoaine voi tulla ulos säiliöstä laajenemisen seurauksena, jos se on liian täynnä, ja se voi vaikuttaa tuotteen käyttäytymiseen. Kun säiliötä täytetään, on suositeltavaa jättää tarpeeksi tilaa polttoaineen laajentumiselle.
6. Ruuvaa polttoainesäiliön korkki paikalleen ja pyyhi pois vuotanut polttoaine.

### ! CAUTION

Käytä tavallista lyijytöntä benssiiniä, jonka oktaaniluku on vähintään 85.

Älä sekoita öljyä ja benssiiniä keskenään.  
Täytä säiliö noin 1/4 tuumaa (6,4 mm) ylärajasta, jotta polttoaineelle jää tilaa laajentua.  
ÄLÄ pumpkaa benssiiniä huoltoasemalla suoraan generaattoriin. Käytä hyväksyttyä säiliötä polttoaineen siirtämiseksi generaattoriin.  
ÄLÄ täytä polttoainesäiliötä sisätiloissa.  
ÄLÄ täytä polttoainesäiliötä moottorin käydessä tai ollessa kuuma.  
ÄLÄ täytä polttoainesäiliötä liikaa.  
ÄLÄ sytytä savukkeita tai tupakoi polttoainesäiliötä täytettäessä.

### ! WARNING

Polttoaineen liian nopea kaataminen polttoainesuodattimen läpi voi johtaa polttoaineen takaisinvirtaukseen.

## Polttoaineen lisääminen, jatkoa

### NOTE

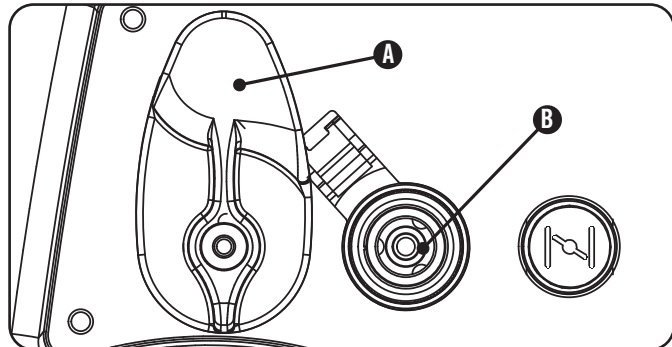
Moottorimme toimivat hyvin 10 % tai sen alle olevilla etanolisekoitepolttoaineilla. Sekoitettua polttoainetta käytettäessä on huomioitava joitain asioita:

- Etanoli-benssiiniseokset voivat imeä enemmän vettä kuin pelkkä benssiini.
- Nämä seokset voivat lopulta erottua ja jättää vettä tai vetistä lietettä säiliöön, polttoaineventtiiliin ja kaasuttimeen.
- Painovoimalla toimivissa polttoainesyötöissä tämä pilaantunut polttoaine voi imeytyä kaasuttimeen ja aiheuttaa vahinkoa moottorille ja/tai vaaratilanteita.
- On olemassa vain muutama polttoaineiden stabilointiaineiden toimittaja, joiden tuotteet on suunniteltu toimimaan etanolisekoitepolttoaineiden kanssa.
- Valmistajan takuu ei kata vaurioita tai vaaroja, jotka aiheutuvat väärän polttoaineen, väärin varastoidun polttoaineen ja/tai väärin annosteltujen stabilointiaineiden käytöstä.

Suosittellemme sammuttamaan polttoaineensyötön, ajamaan polttoaine tyhjiin ja tyhjentämään säiliön, jos laitetta ei käytetä yli 30 vuorokauteen.

## Propaani(nestekaasu)pullon kytkeminen

1. Varmista, että invertterin polttoaineenvalitsin on kello 12 asennossa (pystysuorassa). (A)
2. Liu'uta ulkorengas sormellasi takaisin nestekaasupullon pikaliittimeen (B).
3. Kun ulkorengas on takimmaisessa asennossa, aseta nestekaasuletku (sis. toimitukseen) sisääntuloon ja vapauta ulkorengas. Rengas palaa automaattisesti ja lukitsee letkun tuloaukkoon.
4. Irrota suojatulppa tai korkki pullon venttiilistä.
5. Kiinnitä letkun toinen pää nestekaasupulloon ja kiristä käsin.
6. Tarkista kaikki liitokset vuotojen varalta kostuttamalla liitososia saippua-vesiliuoksella. Esiin tulevat tai kasvavat osoittavat, että vuoto on olemassa. Jos liitoskohdassa on vuoto, sammuta säiliön kaasuventtiili ja kiristä liitos. Käännä kaasu takaisin päälle ja tarkista liitos saippua-vesiliuoksella. Jos vuoto jatkuu tai jos vuoto ei ole liitoksessa, älä käytä generaattoria vaan ota yhteyttä asiakaspalveluun.



### NOTE

- Käytä vain tavallisia 20 tai 30 paunan säiliöitä, joissa on tyypin 1 oikeanpuoleiset Acme-kierteet.
- Varmista, että säiliön tarkistuspäivämäärä ei ole vanhentunut.
- Kaikki uudet pullot on tyhjennettävä ilmasta ja kosteudesta ennen täyttöä. Käytetyt pullot, joita ei ole suljettu tai pidetty kiinni, on myös puhdistettava.
- Puhdistusprosessin suorittaa nestekaasun toimittaja. (Vaihtopullot olisi pitänyt jo puhdistaa ja täyttää oikein).
- Sijoita pullo aina siten, että venttiilin ja kaasun sisääntulon välinen yhteys ei aiheuta letkussa teräviä taitoksia tai kipunöitä.

## Nestekaasupullon kytkeminen, jatkoa

### CAUTION

Älä anna lasten koskea tai leikkiä kaasupullo- tai letkuliitoksilla.

### ! CAUTION

Käytä hyväksytyjä nestekaasupulloja, jotka on varustettu ylitäytön estävillä venttiileillä. Pidä pullo aina pystysuorassa asennossa venttiilin ollessa päällä ja pullo asennettuna maan tasolle tasaiselle alustalle. Kaasupulloja ei saa asentaa lähelle mitään lämmönlähdettä, eikä niitä saa altistaa auringolle, sateelle ja pölylle. Kuljetettaessa ja varastoitaessa pulloa pitää sammuttaa venttiili ja polttoaineventtiili ja ottaa pullo irti. Suojaa pistorasia muovisella suojakorkilla, jos sellainen on käytettävissä. Pidä pullot poissa lämmöstä ja huolehdi ajoneuvon ilmanvaihdosta kuljetuksen aikana.

### ! WARNING

Jos kaasusta lähtee voimakas haju: Sulje kaasunsyöttö pullosta. Käytä saippuavettä, joka muodostaa suuren kuplan mahdollisen vuodon kohdalle letkun ja pullon venttiilin ja generaattorin liitosten tarkistamiseksi. Älä tupakoi tai sytytä savuketta tai tarkista vuotoja tulitikulla, avoliekillä tai sytyttimellä. Ota yhteys valtuutettuun huoltoon tarkastaaksesi ja korjataksesi nestekaasujärjestelmä, jos vuoto löytyy, ennen kuin käytät generaattoria.

FI

## Maadoitus

Generaattorisi on kytkettävä oikein asianmukaiseen maadoitukseen sähköiskun estämiseksi.

### ! WARNING

Generaattorin maadoittamatta jättäminen voi johtaa sähköiskuun.

Maadoitusliitin, joka on kytketty generaattorin runkoon, on valmiiksi virtapaneelissa. Etämaadoitusta varten tulee kytkeä pitkä raskas (vähintään 12 AWG) kuparijohdin generaattorin maadoitusliittimen ja maadoituksessa kulkevien kuparitankojen väliin. Suosittelemme, että otat yhteyttä valtuutettuun sähköasentajaan varmistaaksesi paikallisten sähkömääräysten noudattamisen.

# OPERATION

## Generaattorin sijoittaminen

ÄLÄ KOSKAAN käytä generaattoria rakennuksen sisällä, mukaan lukien autotallit, kellarit, ryömintätilat ja suojat, kotelot tai osastot, mukaan lukien huviajoneuvon generaattoritila. Ota yhteys paikalliseen viranomaiseen. Joillakin alueilla generaattorit on rekisteröitävä paikallisella sähkölaitoksella. Rakennustyömailla käytettäviin generaattoreihin voidaan soveltaa lisäsääntöjä. Generaattorien tulee olla aina tasaisella pinnalla (jopa silloin, kun ne eivät ole toiminnassa). Generaattoreilla on oltava vähintään 5 jalan (1,5 metrin) väli syttyviin materiaaleihin. Kaikkien palavien materiaalien erottamisen lisäksi generaattoreilla on oltava myös vähintään 3 jalan (noin 90 cm:n) väli kaikilta sivuilta riittävän jäähdytyksen ja huollon mahdollistamiseksi. Generaattoreita ei saa koskaan käynnistää tai käyttää maastoauton, matkailuauton, perävaunun takaosassa, kuorma-auton lavalla (tavallisessa, tasaisella tai muunlaisella), portaikkojen alla, seinien tai rakennusten vieressä tai vastaavassa tilassa, joissa generaattorin ja/tai äänenvaimentimen riittävää jäähdytystä ei voida taata. ÄLÄ peitä generaattoreita käytön aikana. Anna generaattoreiden jäähtyä kunnolla ennen kuljetusta tai varastointia. Sijoita generaattori hyvin ilmastoituun tilaan. ÄLÄ sijoita generaattoria tuuletusaukkojen tai imuaukkojen läheisyyteen, josta pakokaasuja voi vetäytyä ahtaisiin tiloihin tai tiloihin, joissa on ihmisiä. Ota huomioon tuuli- ja ilmavirrat generaattoria sijoittaessasi.

**Asianmukaisten turvatoimenpiteiden noudattamatta jättäminen voi mitätöidä valmistajan takuun.**

### ⚠ WARNING

Älä käytä tai säilytä generaattoria sateessa, lumessa tai märässä.

Generaattorin tai sähkölaitteen käyttö märissä olosuhteissa, kuten sateessa tai lumessa, uima-altaan tai sprinklerijärjestelmän lähellä tai käsien ollessa märkä, voi johtaa sähköiskuun.

### ⚠ WARNING

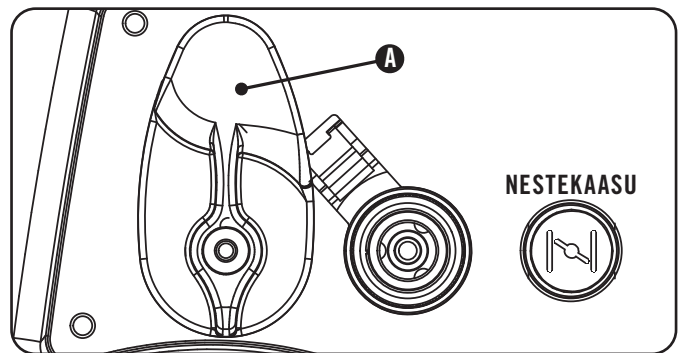
Käytön aikana äänenvaimentimet ja syntyvät pakokaasut kuumenevat. Jos riittävää jäähdytys- ja ilmankiertotilaa ei ole saatavana tai jos generaattori on tukossa tai peitetty, lämpötilat voivat kuumentua erittäin voimakkaasti ja aiheuttaa tulipalon.

## Maadoitus

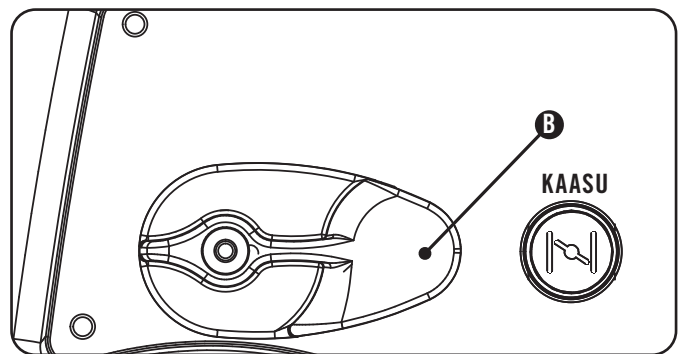
Generaattorijärjestelmän maadoitus yhdistää rungon virtapaneelin maadoitusliittimiin. Järjestelmän maadoitus on kytketty AC-neutraalijohtoon.

## Polttoaineen valintakytkin

Invertterin etupaneelissa oleva polttoaineenvalitsin on suunniteltu valitsemaan polttoainelähde, joko bensiini tai nestekaasu. Valitse haluttu polttoainelähde kääntämällä valintakytkin paneelissa olevan polttoainesymbolin kohdalle. Käännä polttoaineen valintakytkin kello 12 asentoon (pystysuoraan) nestekaasukäyttöä varten. (A)



Käännä polttoaineen valitsin asentoon 3 (vaaka) bensiinikäyttöä varten. (B)



### NOTE

Kun polttoaineen valitsin on asennossa 3, bensiinin polttoaineventtiili on AUKI. SULJE bensiinin polttoaineventtiili kääntämällä valintakytkin asentoon 12.

## Invertterin käynnistäminen

### CAUTION

Jos virtalukkoa pidetään alhaalla Start-asennossa yli 5 sekuntia, se voi vaurioittaa käynnistintä.

### NOTE

Mukana toimitettu 12 V 7 AH -akku latautuu moottorin käydessä, mutta on myös suositeltavaa, että akku ladataan täyteen vähintään kerran kuukaudessa.

### NOTE

Kun akkukytkin on ON-asennossa, kytkin syttyy, jos akku lähettää latausta. Jos kytkin ei syty, kun se on ON-asennossa, tarkista, että akkuliitanti on edelleen kunnossa.

### NOTE

Jos moottori käynnistyy, mutta ei jatka käymistä varmista, että generaattori on tasaisella pinnalla. Moottori on varustettu öljytason anturilla, joka estää moottoria käymästä, jos öljymäärä laskee kriittisen kynnyksen alapuolelle.

## Bensiini

### NOTE

Generaattori EI käynnisty bensiinillä ilman akun latausta tai asianmukaista liitintää.

1. Sijoita generaattori tasaiselle alustalle.
2. Kytke irti kaikki sähkökuormat generaattorista. Älä koskaan käynnistä tai pysäytä generaattoria, joka on kytkettynä sähköverkkoon tai päällä.
3. Käännä polttoaineen valintakytkin vaakasuoraan.
4. Vedä rikastin CHOKE-asentoon.
5. Työnnä virta-avain ON-asentoon.
6. Työnnä akkukytkin ON-asentoon.
7. SÄHKÖSTARTTI: Pidä virta-avain painettuna "START" -asentoon. Vapauta moottorin alkaessa käynnistyä. Jos moottori ei käynnisty viiden sekunnin kuluessa, vapauta kytkin ja odota vähintään kymmenen sekuntia ennen kuin yrität käynnistää moottorin uudelleen.
8. VETOSTARTTI: Vedä käynnistysnarusta hitaasti, kunnes tuntuu vastusta, ja vedä sitten narusta nopeasti.
9. Älä ryypytä liikaa. Anna moottorin lämmetä useita sekunteja, ennen kuin työnnä rikastimen vähitellen RUN-asentoon.

### NOTE

Pidä rikastin Choke-asennossa vain yhden käynnistysvedon ajan. Työnnä ensimmäisen vedon jälkeen rikastin sisään enintään 3 vedon ajan. Liian paljon ryypytystä johtaa sytytystulpan kastumiseen/ likaantumiseen tuloilman puuttumisen vuoksi. Tämän vuoksi moottori ei käynnisty.

# OPERATION

## Nestekaasu

1. Sijoita generaattori tasaiselle alustalle.
2. Kytke irti kaikki sähkökuormat generaattorista. Älä koskaan käynnistä tai pysäytä generaattoria, joka on kytkettynä sähköverkkoon tai päällä.
3. Käännä polttoaineen valintakytkin pystysuoraan nestekaasuletkun liittämistä varten.
4. Avaa nestekaasupullon polttoainenuppi kokonaan.
5. Työnnä virta-avain ON-asentoon.
6. Työnnä akkukytkin ON-asentoon.
7. SÄHKÖSTARTTI: Vedä rikastin CHOKE-asentoon.
8. Pidä virta-avain painettuna START-asentoon. Vapauta moottorin alkaessa käynnistyä. Jos moottori ei käynnisty viiden sekunnin kuluessa, vapauta kytkin ja odota vähintään kymmenen sekuntia ennen kuin yrität käynnistää moottorin uudelleen.
9. Älä ryypytä liikaa. Anna moottorin lämmetä useita sekunteja, ennen kuin työnnä rikastimen vähitellen RUN-asentoon.
10. VETOSTARTTI: Vedä rikastin CHOKE-asentoon.
11. PULL-TO-PRIME -TOIMINTO: Vedä käynnistysnarusta hitaasti, kunnes tuntuu vastusta, ja vedä sitten narusta nopeasti. Vedä rikastimesta 1-2 kertaa, kunnes tunnet muutamia palamispulsseja, jotka osoittavat, että moottori käynnistyi hetkeksi.
12. Työnnä rikastin sisään.
13. Vedä käynnistysnarusta hitaasti, kunnes tuntuu vastusta, ja vedä sitten narusta nopeasti.
14. Jos moottori ei käynnisty 1-vedolla, kun rikastin on RUN-asennossa, vedä rikastin ulos ja toista PULL-TO-PRIME -vaihe.

## Nestekaasun käynnistäminen, jatkoa

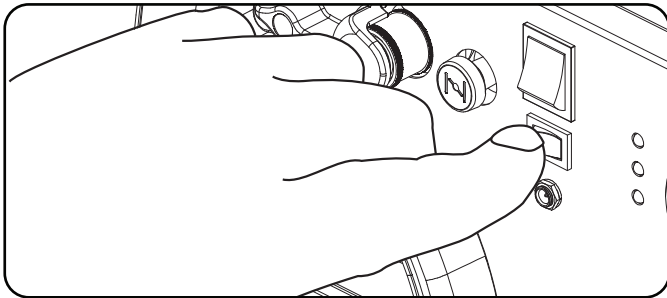
### NOTE

Huurteen havaitseminen nestekaasusäiliöissä ja säätimissä on yleistä käytön aikana, eikä se normaalisti tarkoita ongelmia. Kun nestekaasu höyrystyy ja kulkee säiliöstä generaattorin moottoriin, se laajenee. Kontin koko, käytetyn polttoaineen määrä, ilman kosteus ja muut käyttöolosuhteet voivat vaikuttaa muodostuvan huurteen määrään. Epätavallisissa tilanteissa tämä huurre voi rajoittaa kaasun virtausta generaattoriin, mikä voi heikentää suorituskykyä. Jos esimerkiksi säiliön lämpötilaa alennetaan erittäin matalalle, myös nestekaasun höyrystymisnopeus pienenee, eikä se välttämättä takaa riittävää polttoainevirtausta moottoriin. Tämä ei ole osoitus generaattorin ongelmasta, vaan vain ongelma kaasun virtauksessa nestekaasusäiliöstä. Jos generaattorin suorituskyky näyttää huononevan samalla kun huurteen muodostumista havaitaan säiliön venttiilissä, letkussa tai säätimessä, voidaan suorittaa joitain toimia tämän oireen poistamiseksi. Näissä harvinaisissa tapauksissa voi olla hyödyllistä vähentää tai poistaa kylmäpolttoainejärjestelmän vaikutukset tekemällä yksi seuraavista toimenpiteistä:

- Polttoainesäiliöiden vaihtaminen, jotta ensimmäinen säiliö voi lämmetä, toista tarvittaessa.
- Nestekaasusäiliön sijoittaminen generaattorin päähän lähelle kahvaa, jossa moottorin tuuletinilma virtaa ulos generaattorista. Tätä ilmaa kuumennetaan hiukan virtauksella moottorin yli. Säiliötä ei tule asettaa äänenvaimentimen poistoaukon polulle.
- Säiliötä voidaan lämmittää väliaikaisesti kaatamalla lämmintä vettä säiliön yläosaan.

## Säästökytkin

Economy Control -kytkin eli säästökytkin voidaan aktivoida polttoaineenkulutuksen ja melun minimoimiseksi, kun yksikköä käytetään **pienennetyn sähkötehon aikana**, jolloin moottorin nopeus voi olla joutokäynnillä. Moottorin käyntinopeus normalisoituu, kun sähköinen kuorma kytketään. Kun säästökytkin on pois päältä, moottori käy jatkuvasti normaalilla kierrosluvulla.



### ! WARNING

Jos sähkökuormitus on korkea tai hetkellinen vaihtelu suurta, säästökytkimen tulee olla kytkettynä pois päältä.

## 12V DC pistorasia

12 V DC-pistorasiaa voidaan käyttää mukana toimitetun latauskaapelin ja USB-laturin sekä muiden kaupallisesti saatavien 12 V DC: n autopistokkeiden kanssa. DC-lähtö on sääntelemätön ja voi vahingoittaa joitain tuotteita. Varmista, että lisälaitteiden tulojännitealue on vähintään 12–24 V DC. Kun käytät tasavirtapistorasiaa, käännä säästökytkin OFF-asentoon.

### ! WARNING

Älä käytä laitetta, jos se on kytketty 12 V:n tasavirtapistorasiaan.

Pitkäaikainen altistuminen moottorin pakokaasuille voi aiheuttaa vakavan vamman tai kuoleman.

### ! WARNING

Älä lataa laitetta laturilla pakokaasun puolelta. Pakokaasujen aiheuttama voimakas lämpö voi vahingoittaa laitetta ja aiheuttaa mahdollisen tulipalon.

## Sähkökuormien kytkeminen

1. Anna moottorin vakautua ja lämmitä muutama minuutti käynnistyksen jälkeen.
2. Kytke pistoke ja kytke haluamasi 120 voltin yksivaiheinen vaihtovirta, 60 Hz.
  - ÄLÄ kytke 3-vaiheisia kuormia generaattoriin.
  - ÄLÄ kytke 50 Hz kuormia generaattoriin.
  - ÄLÄ ylikuormita generaattoria.

### NOTE

Generaattorin kytkeminen sähköyhtiösi linjoihin tai muuhun virtalähteeseen saattaa olla lain vastaista. Lisäksi tämä toimenpide, jos se tehdään väärin, voi vahingoittaa generaattoriasi ja laitteitasi ja aiheuttaa vakavia vammoja tai jopa kuoleman sinulle tai työntekijälle, tai hänelle, joka työskentelee läheisillä voimalinjoilla. Jos aiot käyttää kannettavaa sähkögeneraattoria seisokin aikana, ilmoita siitä välittömästi sähköyhtiöllesi ja muista kytkeä laitteet suoraan generaattoriin. Älä kytke generaattoria kotisi pistorasiaan. Se voi muodostaa yhteyden sähköyhtiön sähkölinjoihin. Olet vastuussa siitä, että generaattorisi sähkö ei johdu takaisin sähköverkkoihin. Jos generaattori kytketään rakennuksen sähköjärjestelmään, ota yhteys paikalliseen sähköyhtiöön tai valtuutettuun sähköasentajaan. Liitäntöjen on eristettävä generaattorin virta sähköverkosta ja niiden on noudatettava kaikkia sovellettavia lakeja ja määräyksiä.

## Rinnakkaiskäyttö

Kahta (2) Champion-mallia 730011-DF (EU) voidaan käyttää samanaikaisesti kokonaistuoton lisäämiseksi. Rinnakkaiskäyttöä varten tarvitaan Champion-mallin CPGPARKIT3K rinnakkaisarja (lisävaruste). Ota yhteyttä paikallisen jälleenmyyjään saadaksesi lisätietoja sarjan saatavuudesta.

Yksityiskohtaiset ohjeet kytkettyjen generaattoreiden rinnakkaisasennuksesta ja käytöstä ovat sarjan omistajan käsikirjassa ja käyttöohjeissa.



# OPERATION

## Älä ylikuormita generaattoria

### Kapasiteetti

Noudata näitä yksinkertaisia ohjeita laskeaksesi käyttötarkoituksesi kannalta tarpeellinen käyttö- ja käynnistysteho.

1. Valitse sähkölaitteet, joita aiot käyttää samanaikaisesti.
2. Näiden kohteiden käytön aikainen wattien kokonaismäärä. Tämä on se määrä tehoa, joka tarvitaan niiden pitämiseen käynnissä.
3. Tunnista kaikkien vaiheissa 1 yksilöityjen laitteiden suurin lähtöteho. Lisää tämä numero vaiheissa 2 laskettuun numeroon. Ylijännite on ylimääräinen virranpurkaus, jota tarvitaan joidenkin sähkökäyttöisten laitteiden käynnistämiseen. Kohdassa "Virranhallinta" lueteltujen vaiheiden noudattaminen takaa, että vain yksi laite käynnistyy kerrallaan.

### Virranhallinta

Käytä seuraavaa kaavaa muuntaaksesi jännite ja ampeerit wateiksi:

$$\text{Voltti} \times \text{ampeeri} = \text{watti}$$

Voit pidentää generaattorisi ja siihen liitettyjen laitteiden käyttöikää lisäämällä sähkökuormaa seuraavia ohjeita noudattaen:

1. Käynnistä generaattori ilman sähkökuormaa.
2. Anna moottorin käydä useita minutteja tasaantumista varten.
3. Kytke virta ja käynnistä ensimmäinen laite. On parasta kiinnittää ensin laite, jolla on suurin kuorma.
4. Anna moottorin tasaantua.
5. Kytke virta ja käynnistä seuraava laite.
6. Anna moottorin tasaantua.
7. Toista vaiheet 5-6 jokaisen uuden laitteen kohdalla.

### NOTE

Älä koskaan ylitä määritettyä kapasiteettia lisääessä kuormia generaattoriin.

## Moottorin pysäyttäminen

1. Sammuta ja irrota kaikki sähkökuormat. Älä koskaan käynnistä tai pysäytä generaattoria, joka on kytkettynä sähköverkkoon tai päällä.
2. Anna generaattorin käydä ilman kuormaa useita minutteja moottorin ja generaattorin sisäisten lämpötilojen tasaamiseksi.
3. Käännä polttoaineventtiili OFF-asentoon, jos laite käy bensiinillä.
4. Käännä nestekaasupullon nuppi CLOSE- tai OFF-asentoon, jos nestekaasua käytetään.
5. Anna moottorin käydä, kunnes polttoaineen puute on pysäyttänyt moottorin. Tämä kestää yleensä muutaman minuutin.
6. Paina virta-avain OFF-asentoon.
7. Käännä akkukytin OFF-asentoon.

**Tärkeää:** Varmista aina, että polttoaineventtiili ja virta-avain ovat OFF-asennossa, kun moottoria ei käytetä.

### NOTE

Kun sammutat generaattorin nestekaasun käytön jälkeen, varmista, että nestekaasupullon nuppi on täysin kiinni.

### NOTE

Jos moottoria ei käytetä vähintään kahteen (2) viikkoon, katso kohdasta Varastointi lisätietoja moottorin ja polttoaineen asianmukaisesta varastoinnista.

### NOTE

Käännä akkukytin aina OFF-asentoon, kun yksikköä ei käytetä. Tämä estää akkua tyhjentymästä. Noudata generaattorin ja akun huolto- ja varastointiohjeita, kun laitetta ei käytetä vähintään kahteen viikkoon.

## Käyttö korkealla

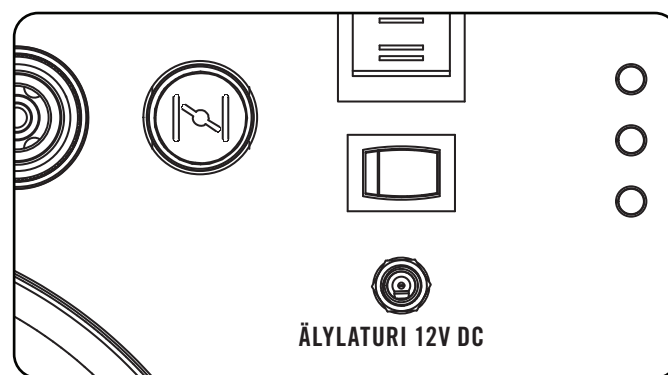
Ilman tiheys korkealla on suurempi kuin merenpinnan tasolla. Moottorin teho laskee ilmamassan ja ilman ja polttoaineen suhteen vähentyessä. Moottorin teho ja generaattorin teho vähenevät noin 3,5 % jokaista merenpinnan korkeuden ylittävää 300 metriä kohden. Tämä on luonnollista, eikä asiaa voida muuttaa säätämällä moottoria. Suurissa korkeuksissa pakokaasupäästöjen lisääntyminen voi myös johtua ilma-polttoainesuhteen lisääntyneestä rikastumisesta. Muita korkean ongelmia voivat olla kovat käynnistykset, lisääntynyt polttoaineenkulutus ja sytytystulppien likaantuminen.

## Ylikuormitussuoja

Ylikuormituksen merkkivalo syttyy, kun nimelliskuorma ylitetään. Kun maksimikuorma saavutetaan, LED-valo vilkkuu ja katkaisee virran pistokkeisiin. Virran palauttamiseksi sammuta moottori ja odota, kunnes valo sammuu. Käynnistä sitten generaattori uudelleen.

## Älylaturi

Älylaturi (sis. toimitukseen) on laite, jota käytetään generaattorin akun lataamiseen. Älylaturi kytketään generaattoriin, etupaneelin DC-tuloon ja sitten kotitalouden pistorasiaan. Laturissa palaa valo. Jos akku tarvitsee latausta, punainen valo syttyy. Jos akku on hyvä eikä sitä tarvitse ladata tai se on ladattu täyteen, vihreä valo syttyy. Älylaturi on ohjelmoitu lataamaan tai lopettamaan lataus, kun valo on vihreä. Tämä on turvaominaisuus, joka auttaa estämään akun ja generaattorin vaurioita.



### NOTE

Jos akku on kokonaan tyhjä ja ei pidä latausta, älylaturi voidaan kytkeä virtalähteeseen virran antamiseksi rikastimelle.

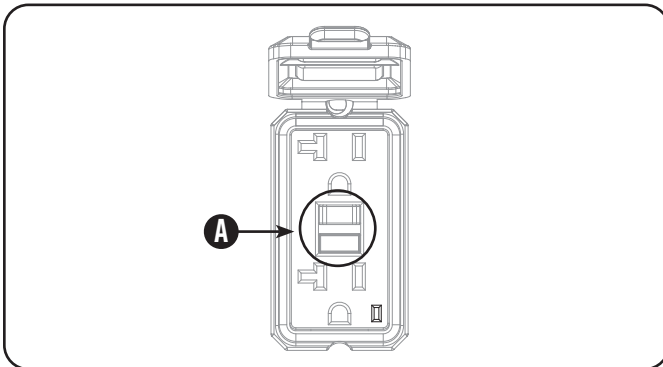
FI



# OPERATION

## GFCI

Generaattorisi on varustettu kahdella (2) vikavirtasuojakytkimellä (GFCI). Maavian sattuessa GFCI laukeaa automaattisesti virtauksen pysäyttämiseksi ja vakavien vammojen estämiseksi. Kytkimen vihreä merkkivalo sammuu samalla. Palauta sähkövirta painamalla kytkimen etuosassa olevaa nollauspainiketta. (A) Vihreä merkkivalo syttyy taas. Vikavirtasuojakytkin ei suojaa virtapiirin ylikuormitukselta. Suorita tämä testi kuukausittain varmistaaksesi



kytkimen moitteettoman toiminnan:

1. Kun generaattori on käynnissä, kytke lamppu GFCI-rasiaan. Sytytä lamppu.
2. Nollaa laite painamalla kytkimen etuosassa olevaa testipainiketta. (A) Tämän pitäisi välittömästi pysäyttää sähkön kulku ja sammuttaa lamppu. Jos sähköä ei ole katkaistu, älä käytä tätä pistorasiaa, ennen kuin se on huollettu tai vaihdettu.
3. Palauta sähkövirta painamalla kytkimen etuosassa olevaa nollauspainiketta. Jos merkkivalo ei sammuu tai syttyy uudelleen tai jos GFCI:a ei voi nollata, se on vaihdettava.

## ⚠ WARNING

Jotta GFCI toimisi kunnolla, nollajohdin on kiinnitettävä maahan tai generaattorin runkoon. Champion-generaattorisi mukana tulee nollajohto, joka on jo kiinnitetty runkoon. Jos kiinnitysjohtin poistetaan, GFCI ei enää toimi suunnitellulla tavalla. Jos nollajohdin poistetaan siirtokytkimen asennuksen ajaksi taloon tai rakennukseen kytkemistä varten, siirtokytkin ei saa kytkeä nollakytkentää maahan rakennuksen sisällä. Champion Power Equipment suosittelee, että otat yhteyttä luvan saaneeseen paikalliseen sähköasentajaan. Paikallisten vaatimusten moninaisuuden takia emme voi antaa täsmällisiä neuvoja kannettavan generaattorisi johdotuksen muutoksista.

Omistaja/käyttäjä on vastuussa kaikista määräaikaishuolloista.

## ⚠ WARNING

Älä koskaan käytä vaurioitunutta tai viallista generaattoria.

## ⚠ WARNING

Tehdasasetusten muuttaminen mitätöi takuun.

## ⚠ WARNING

Väärä huolto mitätöi takuun.

## NOTE

Päästöjenrajoituslaitteiden ja -järjestelmien huoltoa, vaihtoa tai korjausta voi suorittaa kuka tahansa korjaamo tai luvan saanut henkilö.

Suorita kaikki määräaikaishuollot oikeaan aikaan. Korjaa kaikki ongelmat ennen generaattorin käyttöä.

## Moottorin huolto

Tahattoman käynnistymisen estämiseksi pitää sytytystulpan johdin irrottaa ja maadoittaa ennen minkään huollon suorittamista.

## Öljy

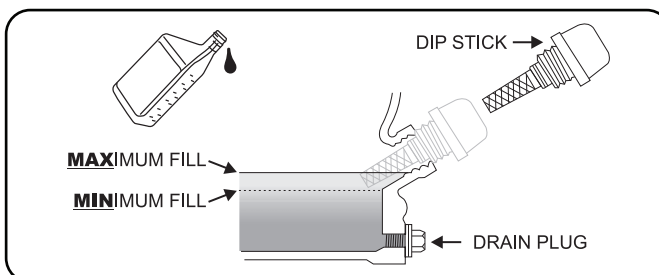
Vaihda öljy moottorin ollessa lämmin. Katso öljytiedoista sopiva öljyalaatu käyttöympäristöllesi.

1. Aseta generaattori penkin tai pöydän päälle.
2. Avaa kannen ruuveja ja irrota huoltokansi.
3. Avaa kumitulppa tyhjennyspultin alapuolelta.
4. Poista tyhjennyspultti.
5. Kallista generaattoria sivulle ja anna öljyn valua kokonaan ulos.
6. Kiinnitä tyhjennyspultti takaisin.
7. Lisää vakiomoottoriöljy ja aseta öljytäyttökorkki/ mittatikku paikalleen. **ÄLÄ TÄYTÄ LIIKAA**
8. Asenna huoltokansi takaisin ja kiristä kannen ruuvit.
9. Hävitä käytetty öljy hyväksytyssä jätehuoltolaitoksessa.

## Öljy, jatkoa

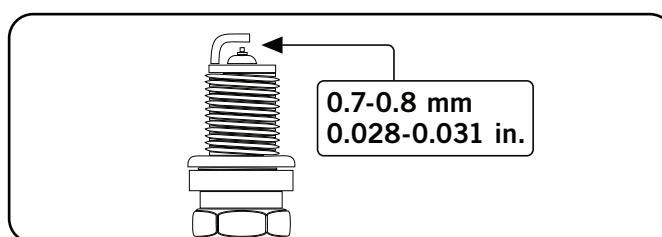
## NOTE

Kun öljyä on lisätty, silmämääräisessä tarkastuksessa tulee näkyä öljyä noin 1-2 kierteen mitalta täyttöaukosta. Jos käytät mittatikkuja öljytason tarkistamiseen, **ÄLÄ** ruuvaa mittatikkuja tarkistuksen aikana.



## Sytytystulpat

1. Irrota sytytystulpan johto.
2. Poista sytytystulppa sytytystulpan irrotustyökalulla (ei mukana).
3. Tarkasta tulpan elektrodi. Sen on oltava puhdas eikä se saa olla kulunut syttymiseen tarvittavan kipinän tuottamiseksi.
4. Varmista, että sytytystulpan rako on 0,7 - 0,8 mm (eli 0,028 - 0,031 tuumaa).
5. Katso sytytystulpan suosituksista lisätietoja tulpan



vaihtamisesta.

6. Kierrä tulppa huolellisesti kiinni.
7. Asenna tulppa tukevasti sytytystulpan pistokkeeseen (ei sisälly toimitukseen).
8. Kiinnitä sytytystulpan johto pistokkeeseen.

# MAINTENANCE AND STORAGE

## Ilmansuodatin

1. Irrota huoltokansi.
2. Paikanna ilmansuodattimen muovikansi.
3. Irrota kannen lukitussarana.
4. Poista vanha suodatin.
5. Aseta uusi suodatin paikalleen.
6. Napsauta sarana takaisin ilmansuodattimen kanteen.
7. Asenna huoltokansi takaisin ja kiristä kannen ruuvit huolellisesti.

## Puhdistaminen

### ! CAUTION

ÄLÄ suihkuta generaattoria vedellä.

Vesi voi saastuttaa polttoainejärjestelmän.

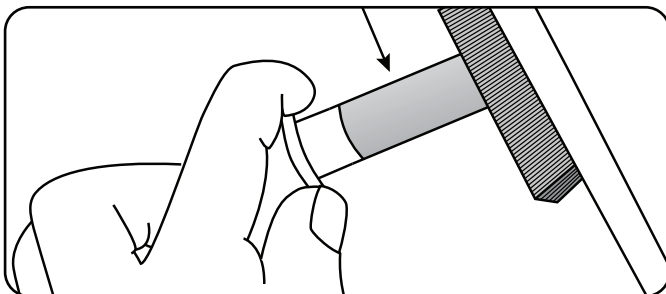
Puhdista generaattorin ulkopinnat kostealla liinalla.

Poista lika ja öljy pehmeällä harjalla.

Puhdista lika ja roskat generaattorista kompressorilla (25 PSI).

## Kipinänestin

1. Anna moottorin jäähtyä kokonaan ennen kipinänestimen huoltoa.
2. Irrota kaksi ruuvia, jotka pitävät kansilevyä kiinni, joka puolestaan pitää kipinänestimen päätä kiinni äänenvaimentimessa.
3. Irrota kipinänestin.
4. Poista hiilijäämät varovasti kipinänestimestä teräsharjalla.
5. Vaihda kipinänestin, jos se on vaurioitunut.
6. Aseta kipinänestin äänenvaimentimeen ja kiinnitä kahdella ruuvilla.



### ! CAUTION

Kipinänestimen puhdistamatta jättäminen heikentää moottorin suorituskykyä.

## Säädöt

Ilma-polttoaineseosta ei voida säätää. Säätimen muuttaminen voi vahingoittaa generaattoriasi ja sähkölaitteitasi ja mitätöidä takuun.

## Huoltovälit

Noudata seuraavassa huoltoaikataulussa ilmoitettuja huoltovälejä.

Huolla generaattoria useammin, jos työskentelet epäsuotuisissa olosuhteissa.

Aina 8 tunnin välein tai päivittäin	
	Tarkista öljyn määrä
	Puhdista ilman imuaukon ja äänenvaimentimen ympäriltä
	Tarkista letkut vuotojen varalta
Ensimmäiset 5 käyttötuntia	
	Vaihda öljy
Aina 50 käyttötunnin jälkeen tai kerran kaudessa	
	Puhdosta ilmansuodatin
	Vaihda öljy, jos työskentelet raskaalla kuormituksella tai kuumassa ympäristössä
Aina 100 tunnin välein tai kerran kaudessa	
	Vaihda öljy
	Puhdista/säädä sytytystulppa
	Tarkista/säädä venttiilin välys *
	Puhdista kipinänestin
	Puhdista polttoainesäiliö ja suodatin*
Aina 250 tunnin välein	
	Puhdista palokammio*
Aina 3 vuoden välein	
	Vaihda polttoaineletku ja nestekaasuletku

\*Suorittavat asiantuntevat, kokeneet omistajat tai Champion Power Equipment -sertifioidut jälleenmyyjät.

## Generaattorin akku

Tämä tuote on varustettu automaattisella akun latauspiirillä. Akku saa latausjännitteensä moottorin käydessä. Akku ylläpitää asianmukaista latausta, jos laitetta käytetään säännöllisesti (noin joka toinen viikko). Jos akkua käytetään harvemmin, akku on kytkettävä laturiin (sisältyy toimitukseen) tai akun ylläpitäjään, jotta akku pysyy oikein ladattuna. Jos akku ei pysty käynnistämään moottoria, moottori voidaan käynnistää vetämällä manuaalisesti moottorin käynnistysnarua. Jos akun jännite on erittäin alhainen, latauspiiri ei ehkä pysty lataamaan akkua uudelleen. Siinä tapauksessa akku on kytkettävä tavalliseen auton akkulaturiin uudelleenlatausta varten, ennen kuin sitä voidaan käyttää.

## Akun lataaminen

Akulla varustetun generaattorin kohdalla sähkökäynnistyksessä on noudatettava akkujen asianmukaista huolto- ja varastointiohjeita. Automaattista akkulaturia (sisältyy toimitukseen), jossa on automaattinen latausominaisuus, tulisi käyttää akun lataamiseen. Suurin latausnopeus ei saa ylittää 1,5 ampeeria. Noudata akkulaturin mukana toimitettuja ohjeita. Akku on ladattava täyteen vähintään kerran kuukaudessa.

### NOTE

Kelluva laturi ylläpitää akun tilaa pitkiä varastointiaikoja.

## Akun irrottaminen

1. Poista akkupaneelin suoja.
2. Poista suojakotelo akun mustasta miinusjohdosta.
3. Irrota musta / miinusjohto akun mustasta / miinusnavasta ja säilytä kantaruuvi ja mutteri.
4. Toista vaiheet 1-2 punaisen/plusjohdon kohdalla.
5. Säilytä akkua viileässä, kuivassa paikassa.

## Generaattorin huolto

Varmista, että generaattori pysyy puhtaana ja että sitä varastoidaan oikein. Käytä laitetta vain tasaisella alustalla puhtaassa ja kuivassa käyttöympäristössä. ÄLÄ altista laitetta ääriolosuhteille, liialliselle pölylle, lialle, kosteudelle tai syövyttävälle höyrylle.

Puhdista generaattorin ulkopinnat kostealla liinalla.

Poista lika ja öljy pehmeällä harjalla.

Puhdista lika ja roskat generaattorista kompressorilla (25 PSI).

Tarkasta kaikki tuuletusaukot ja jäähdytysaukot varmistaaksesi, että ne ovat puhtaat ja esteettömät.

### ! CAUTION

ÄLÄ käytä puutarhaletkua generaattorin puhdistamiseen.

Vesi voi päästä generaattoriin jäähdytysaukkojen kautta ja vaurioittaa generaattorin käämejä.

# MAINTENANCE AND STORAGE

## Varastointi

Generaattori on käynnistettävä vähintään kerran 14 päivässä ja annettava käydä vähintään 20 minuutin ajan. Noudata näitä ohjeita pidempään varastoitaessa.

### Yleinen varastointi

1. Lisää oikeaa polttoainetta säiliöön.
2. Varmista, että kaikki laitteet on irrotettu generaattorista.
3. Käytä generaattoria muutama minuutti, jotta käsitelty polttoaine ehtii kiertää polttoainejärjestelmän ja kaasuttimen läpi.
4. Käännä polttoaineventtiili OFF-asentoon.
5. Anna generaattorin käydä, kunnes polttoaineen puute on pysäyttänyt moottorin. Tämä kestää yleensä muutaman minuutin.
6. Generaattorin täytyy jäähtyä täysin ennen puhdistamista ja varastointia.
7. Irrota sytytystulpan korkki ja vedä sitten narun kahvaa 3 kertaa tyhjentääksesi bensiinin kaasuttimen suuttimista.
8. Vaihda moottoriöljy.
9. Irrota sytytystulppa ja kaada noin ruokalusikallinen öljyä sylinteriin. Kierrä moottoria hitaasti öljyn jakamiseksi tasaisesti ja sylinterin voitelemiseksi.
10. Kiinnitä sytytystulppa takaisin.
11. Säilytä laitetta puhtaassa, kuivassa paikassa, joka ei ole suorassa auringonvalossa.

### DANGER

Generaattorin pakokaasu sisältää hajutonta ja väritöntä hiilimonoksidikaasua.

Seuraavia varotoimenpiteitä on noudatettava, jotta vältetään sähkökäynnistysgeneraattorin vahingossa tapahtuva käynnistyminen varastoinnin aikana:

- Kun varastoit generaattoria lyhyemmän ajan varmista, että virta-avain, polttoaineventtiili ja akkukytkin ovat OFF-asennossa.
- Kun varastoit generaattoria pidemmän ajan varmista, että virta-avain, polttoaineventtiili ja akkukytkin ovat OFF-asennossa ja että akkukaapelit on irrotettu akusta.

Ongelma	Syy	Ratkaisu
Generaattori ei käynnisty	Ei polttoainetta	Lisää polttoainetta
	Viallinen sytytystulppa	Vaihda sytytystulppa
	Laitetta on ladattu käynnistyksen aikana	Poista laitteen kuormitus
Generaattori ei käynnisty. Generaattori käynnistyy, mutta käy karkeasti.	Öljyn määrä alhainen	Täytä kampikammio oikeaan tasoon Sijoita generaattori tasaiselle alustalle
	Rikastin on väärässä asennossa	Säädä rikastinta
	Sytytystulpan johdin löysällä	Kiinnitä johdin sytytystulppaan
Generaattori ei käynnisty sähköisesti	Generaattorin akku on tyhjä	Lataa generaattorin akku
	Akkukytin on OFF-asennossa	Käännä akkukytin ON-asentoon.
Generaattori sammuu kesken käytön	Polttoaine lopussa	Täytä polttoainesäiliö
	Öljyn määrä alhainen	Täytä kampikammio oikeaan tasoon. Sijoita generaattori tasaiselle alustalle
Generaattori ei pysty toimittamaan tarpeeksi virtaa tai ylikuumenee	Generaattori on ylikuormittunut	Tarkista kuorma ja säädä. Lue "Virranhallinta"
	Ilmankierto ei riitä	Tarkista ilmankierron esteet Siirrä hyvin tuuletettuun tilaan
Ei vaihtovirtasyöttöä	Kaapeli on väärin kytketty	Tarkista kaikki liitännät
	Liitetty laite on viallinen	Vaihda viallinen laite
	Vikavirtasuoja on avoinna	Kuittaa vikavirtasuojia
	Johdotus löysällä	Tarkista ja kiristä johtoliitokset
	Muu	Ota yhteys tukeen
Toistuva vikavirtasuojan laukeaminen	Ylikuorma	Tarkista kuorma ja säädä. Lue "Virranhallinta"
	Vialliset johdot tai laite	Tarkista vaurioiden, paljaiden tai kuluneiden johtojen varalta. Vaihda viallinen laite

# INTRODUCTION

---

## Introduksjon

Gratulerer med kjøpet av din invertergenerator. Vedlikeholdes på riktig måte.

## Bærbar strømgenerator

Denne enheten er en bensindrevet AC-generator som brukes til strømforsyning.

## Tilbehør

CPE produserer og leverer en rekke tilbehør. Kontakt din lokale forhandler for mer informasjon.

## Dette heftet

Vi forbeholder oss retten til å endre, tilføye eller forbedre produktet og denne håndboken uten nærmere varsel.

---

Skriv ned modellen og serienumrene, i tillegg til kjøpsdato og -sted for fremtidig bruk. Ha denne informasjonen tilgjengelig ved bestilling av deler og ved tekniske forespørsler eller garantispørsmål.

Champion Power Equipment Support
Modellnummer
Serienummer
Kjøpsdato
Kjøpssted

Gjør deg selv kjent med følgende symboler. Sikkerhetssymbolet og nøkkelordene er sikkerhetsadvarsler. Følg alle sikkerhetsmeldinger for å unngå ulykker eller personskade.

## DANGER

FARE indikerer en farlig situasjon som, hvis den ikke unngås, **vil** føre til død eller alvorlig personskade.

## WARNING

ADVARSEL indikerer en farlig situasjon som, hvis den ikke unngås, **kan** føre til død eller alvorlig personskade.

## CAUTION

FORSIKTIG indikerer en farlig situasjon som, hvis den ikke unngås, **kan** føre til en mindre eller moderat personskade.

## CAUTION

FORSIKTIG brukt uten symbolet for sikkerhetsvarsel indikerer en potensielt farlig situasjon, som hvis den ikke unngås, **kan** føre til skade på eiendom.

## NOTE

Dersom du har spørsmål angående generatoren din, kan vi bistå. Kontakt din lokale forhandler.



# SAFETY RULES

## WARNING

Les denne håndboken grundig før du tar i bruk generatoren din. Unnlater du å følge instruksjonene kan det føre til alvorlig personskade eller død.

## WARNING

Motoravgassene fra dette produktet inneholder kjemikalier som er kjent for å forårsake alvorlige helseproblemer og død.

## DANGER

Generatorens eksos inneholder karbonmonoksid, en fargeløs, luktfri og giftig gass. Innånding av karbonmonoksid vil føre til kvalme, svimmelhet, besvimelse eller død. Hvis du begynner å føle deg svimmel eller svak, kom deg til frisk luft umiddelbart.

Generatoren skal kun brukes utendørs, på et godt ventilert område.

IKKE bruk generatoren inne i eventuelle bygninger, inkludert garasjer, kjellere, krypkjellere og skur, lukkede rom eller liknende. Dette gjelder også generatorrommet i campingbiler.

IKKE la eksosgasser trenge inn i trange rom via vinduer, dører, ventilasjonsluker eller andre åpninger.

**FARE KARBONMONOKSID:** Å bruke en generator innendørs **KAN TA LIVET AV DEG I LØPET AV MINUTTER.**

## DANGER

Generatoren produserer kraftig spenning.

IKKE berør uisolerte ledninger og kontakter. IKKE bruk elektriske ledninger som er slitt, skadet eller frynsete.

IKKE bruk generatoren i fuktig vær.

IKKE la barn eller ukvalifisert personell betjene eller vedlikeholde generatoren

Bruk en jordfeilbryter (GFCI) i fuktige områder og områder som inneholder ledende materiale, slik som metalldekke.

Bruk godkjent overføringsutstyr til å isolere generatoren fra strømmettet, og gi beskjed til nettselskapet ditt før du kobler generatoren til strømsystemet ditt.

## WARNING

Gnister kan forårsake brann eller elektrisk støt.

### Ved service på generatoren:

Koble fra tennpluggkabelen og plasser den et sted der den ikke kan komme i kontakt med pluggen.

IKKE se etter gnist med tennpluggen tatt av.

Bruk bare godkjente tennpluggtestere.

## WARNING

Motorer som går produserer varme. Alvorlige brannskader kan oppstå ved kontakt. Brennbare materialer kan ta fyr ved kontakt.

IKKE berør varme overflater.

Unngå kontakt med varme avgasser.

La utstyret avkjøles før berøring.

Sørg for å holde minst 1 meters klaring på alle sider for å sikre tilstrekkelig kjøling.

Sørg for å holde minst 1,5 meters avstand til brennbare materialer.

## WARNING

Medisinsk bruk.

Ved nødstilfelle, ring nødetatene.  
ALDRI bruk dette produktet til å forsyne livreddende utstyr eller redningsapparater med strøm.  
ALDRI bruk dette produktet til å forsyne medisinsk utstyr med strøm.  
Informér strømleverandøren din umiddelbart hvis du eller andre i husholdningen din er avhengig av elektrisk utstyr for å holde seg i live.  
Informér strømleverandøren din umiddelbart dersom tap av strøm fører til at du eller andre i husholdningen din kan få et medisinsk nødstilfelle.

## WARNING

Drift av dette utstyret kan skape gnister som kan starte brann i tørr vegetasjon.

En gnistfanger kan være påkrevd. Brukeren bør kontakte det lokale brannvesenet for opplysninger om lover eller forskrifter relatert til brannvernstiltak.

## DANGER

Roterende deler kan ta tak i hender, føtter, hår, klær og/eller tilbehør.  
Det kan føre til alvorlige sårskader eller amputasjon.

Hold hender og føtter vekk fra roterende deler.  
Sett opp langt hår og fjern smykker.  
Utstyret skal bare brukes med vern montert.  
IKKE ha på deg løstsittende plagg, hengende snorer eller ting som kan bli fanget.

## WARNING

Rask tilbaketrekking av startsnoren trekker hånd og arm mot motoren raskere enn du klarer å slippe  
Utilsiktet oppstart kan føre til sammenfiltring, amputasjon eller sårskader.  
Det kan føre til brukne bein, frakturer, blåmerker eller forstuinger.

Ved start av motoren, dra startsnoren sakte til motstand dannes, trekk deretter raskt for å unngå tilbakeslag.  
IKKE start eller stopp motoren med elektriske apparater tilkoblet.

## CAUTION

Overskridelse av generatorens driftskapasitet kan skade generatoren og/eller eventuelle elektriske apparater som er koblet til den.

IKKE overbelast generatoren.  
Start generatoren og la motoren stabilisere seg før tilkobling av elektrisk belastning.  
Koble til elektrisk utstyr i avslått posisjon, slå det deretter på for å bruke det.  
Slå elektrisk utstyr av før generatoren stoppes.  
IKKE tukle med den innstilte hastigheten.  
IKKE modifier generatoren på noen som helst måte.

## CAUTION

Feil behandling eller bruk av generatoren kan skade den, redusere levetiden eller gjøre at garantien blir ugyldig.

Generatoren skal bare brukes til tiltenkt bruk.  
Den skal bare brukes på jevne overflater.  
IKKE utsett generatoren for overdrevne mengder fukt, støv eller smuss.  
IKKE la noe blokkere kjølepaltene.  
Hvis tilkoblede apparater overopphetes, slå dem av og koble dem fra generatoren.  
IKKE bruk generatoren hvis:

- Elektrisk utgangsspenning forsvinner
- Utstyret gnistrer, begynner å ryke eller avgir flammer
- Utstyret vibrerer overdrevent

NO

# SAFETY RULES

## Drivstoffsikkerhet

### **DANGER**

#### **BENSIN, BENSINDAMP OG LIQUID PETROLEUM GAS (LPG) ER SVÆRT LETTANTENNELIG OG EKSPLOSIVT.**

Brann eller eksplosjon kan føre til alvorlige brannskader eller død.

Utsiktet oppstart kan føre til sammenfiltring, amputasjon eller sårskader.

#### **Bensin og bensindamp (bensin):**

- BENSIN ER SVÆRT LETTANTENNELIG OG EKSPLOSIVT.
- Bensin kan forårsake brann eller eksplosjon ved antenning.
- Bensin er et flytende drivstoff, men dampen kan antenne.
- Bensin er irriterende for huden og må renses bort umiddelbart hvis det søles på hud eller klær.
- Bensin har en særegen lukt, dette vil bidra til å oppdage potensielle lekkasjer raskt.
- Ved brann med bensin skal ikke flammer slukkes med mindre drivstofforsyningsventilen kan slås AV. Dette skyldes at hvis en brann slukkes og tilførselen av drivstoff ikke slås AV, kan det oppstå eksplosjonsfare.
- Bensin utvider seg eller trekker seg sammen i sammenheng med omgivelsestemperaturen. Aldri fyll bensintanken helt full. Dette er fordi bensin må ha plass til å utvide seg hvis temperaturen øker.

#### **Liquefied Petroleum Gas (propan/LPG):**

- LPG (PROPAN) ER SVÆRT LETTANTENNELIG OG EKSPLOSIVT.
- Brennbar gass under trykk kan forårsake brann eller eksplosjon ved antenning.
- LPG (propan) er tyngre enn luft og kan samle seg på lavereliggende steder ved spredning.
- LPG (propan) har en særegen lukt, dette vil bidra til å oppdage potensielle lekkasjer raskt.
- Ved brann med petroleumsgass skal ikke flammer slukkes med mindre drivstofforsyningsventilen kan slås AV. Dette skyldes at hvis en brann slukkes og tilførselen av drivstoff ikke slås AV, kan det oppstå eksplosjonsfare.
- Ved bytte av LPG-sylindere, sørg for at

sylinderventilen er av samme type.

- Sørg alltid for at LPG-sylinderen står oppreist.
- LPG vil føre til brannskader hvis det kommer i kontakt med huden. Hold alltid LPG vekk fra huden.

#### **Ved fylling eller fjerning av bensin:**

Slå av generatoren og la den avkjøle seg i minst to minutter før bensinlokket fjernes. Løsne lokket sakte for å slippe ut trykket i tanken.

Det skal bare fylles eller tappes bensin på steder som er godt ventilert.

IKKE fyll bensin direkte på generatoren fra bensinstasjonen. Bruk en godkjent beholder til å fylle drivstoff på generatoren.

IKKE fyll for mye på bensintanken.

Drivstoff skal alltid holdes vekk fra gnister, åpne flammer, gassbrennere, varme og andre antenneskilder.

IKKE tenn opp eller røyk sigaretter.

#### **Ved oppstart av generatoren:**

IKKE forsøk å starte en skadet generator.

Påse at bensinlokket, luftfilteret, tennpluggen, drivstoffslangene og eksossystemet er på plass.

Sørg for at bensinsøl får tid til å fordampe fullstendig før motoren blir forsøkt startet.

Forsikre deg om at generatoren står på et jevnt underlag.

#### **Ved bruk av generatoren:**

IKKE beveg eller velt generatoren under drift.

IKKE velt generatoren eller søl bensin eller olje.

#### **Ved transport eller service på generatoren:**

Sørg for at drivstoffventilen står i AV-posisjon og at bensintanken er tom.

Påse at eventuelle LPG-sylindere er frakoblet generatoren og trygt lagret på behørig avstand.

Koble fra tennpluggkabelen.

#### **Ved oppbevaring av generatoren:**

Oppbevares vekk fra gnister, åpne flammer, gassbrennere, varme og andre antenneskilder.

Ikke oppbevar generatoren, bensin eller LPG-beholdere i nærheten av ovner, vannvarmere eller andre apparater som produserer varme eller har automatisk tenning.

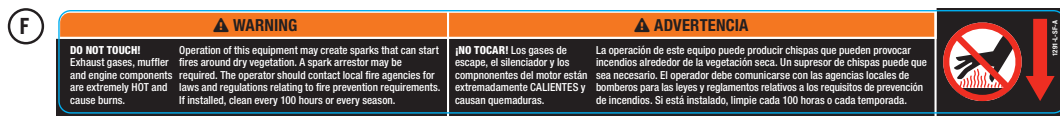
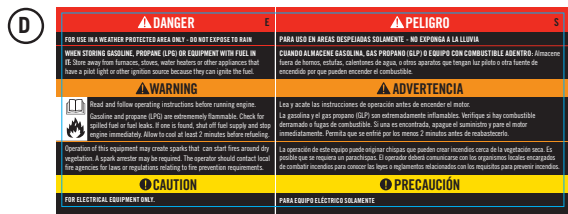
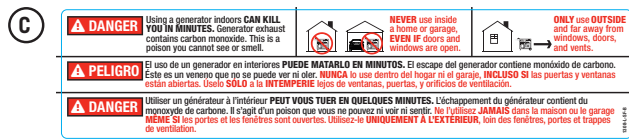
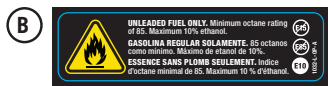
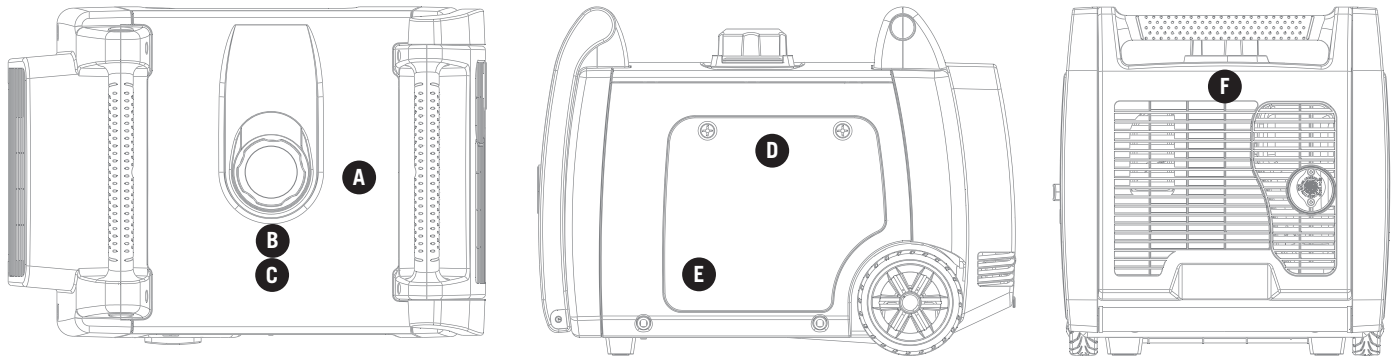
### **WARNING**

Aldri bruk en bensinbeholder, LPG-tilkoblingslange, LPG-beholder eller andre drivstoffelementer som er skadet eller fremstår som skadet.

## Plasseringer for sikkerhetsetiketter

Disse etikettene advarer deg om mulige farer som kan forårsake alvorlig skade. Les dem nøye.

Dersom en etikett løsner eller blir vanskelig å lese, kontakt den lokale forhandlerens kundeservice for mulig utskiftning.



# ASSEMBLY

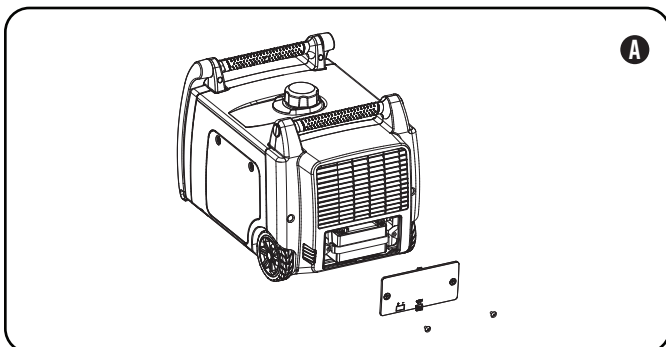
Generatoren din krever noe montering. Enheten leveres fra fabrikken vår uten olje. Den må ha drivstoff og olje før den tas i bruk.

## Fjern generatoren fra esken den ble levert i.

1. Plasser esken på et solid, flatt underlag.
2. Fjern alt fra esken unntatt generatoren.
3. Ved hjelp av bærehåndtakene på enheten, tas generatoren ut av esken. (to personer som løfter er anbefalt)

## Tilkobling av batteri (modeller med elektrisk start)

1. Bruk en skrutrekker til å fjerne de to (2) skruene fra vedlikeholdsdekselet til batteriet. (A)
2. Når skruene er fjernet, kan man dra i gumminoren på dekselet for å hjelpe til med å løsne og fjerne vedlikeholdsdekselet. (A)
3. Fjern vedlikeholdsdekselet til batteriet. (A)
4. Skjær av stripsen som holder batterikablene



sammen.

5. Bruk en skrutrekker til å skru av batteribolten i den røde, positive (+) batteriterminalen.
6. Koble den røde, positive (+) ledningen til den positive (+) terminalen på batteriet ved hjelp av bolten.
7. Dra gummihylsen over batterikabeltilkoblingen og batteriterminalen.
8. Gjenta trinn 5-7 for den sorte, negative (-) batteriledningen og den sorte, negative (-) batteriterminalen.

## Koble til batteriet (fortsatt)

### NOTE

Hvis batterikablene ikke er synlige når batteriets vedlikeholdsdeksel er fjernet, må du være oppmerksom på at kablene kan ligge over batteriet, ute av syne.

## Fyll på motorolje

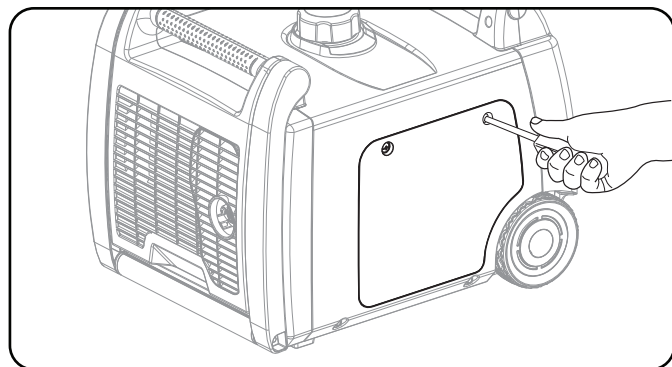
### ! CAUTION

IKKE prøv å sveive eller starte motoren før den er korrekt fylt opp med anbefalt type og mengde olje. Skade på generatoren som følge av unnlattelse i å følge disse instruksjonene ugyldiggjør garantien din.

### NOTE

Anbefalt oljetype er bilolje av typen 10W-30.

1. Plasser generatoren på et flatt, jevnt underlag.
2. Løsne skruene til dekselet og fjern vedlikeholdsdekselet.



3. Fjern oljepåfyllingslokket/peilepinnen for å fylle på olje.
4. Fyll på olje og sett på oljepåfyllingslokket/peilepinnen igjen. IKKE FYLL FOR MYE.
5. Kontroller motorens oljenivå daglig og etterfyll ved behov.

### NOTE

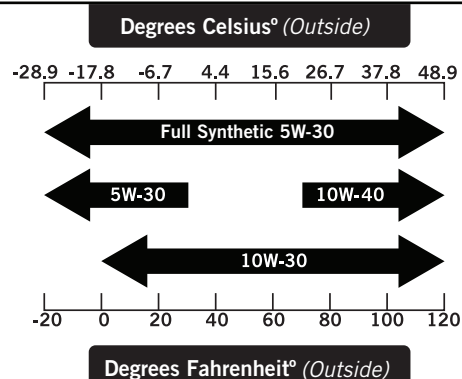
Når olje er fylt på, skal det gjøres en visuell sjekk. Den skal vise olje omtrent 1-2 gjenger ned i påfyllingshullet.

Hvis det benyttes en peilepinne til å kontrollere oljenivået, IKKE skru inn peilepinnen når du sjekker.

### NOTE

Kontroller oljen ofte i innkjøringsperioden. Se i avsnittet for vedlikehold for anbefalte serviceintervaller.

## Fyll på motorolje (fortsett)



### CAUTION

Motoren er utstyrt med oljevakt for lavt oljenivå, og slår seg av når oljenivået i veivhuset synker under terskelnivået.

### NOTE

Generatorens rotor har et forseglet, forhåndssmørt kulelager som ikke trenger mer smøring i hele lagerets levetid.

### NOTE

Vi anser de første 5 driftstimene som innkjøringsperioden for enheten. I innkjøringsperioden skal kraftuttaket ligge på eller under 50 %. Varier belastningen innimellom for at statorviklingene får varmet og avkjølt seg. Justering av belastningen gjør også at motorhastigheten varierer og bidrar til at stempelringene setter seg. Etter at innkjøringsperioden på 5 timer er over, bytt oljen.

### NOTE

Syntetisk olje kan brukes etter den første innkjøringsperioden på 5 timer. Bruk av syntetisk olje øker ikke den anbefalte intervalltiden for oljeskift.

### NOTE

Værforholdene påvirker motoroljen og motorens ytelse. Bytt motoroljetype avhengig av værforhold, slik at motorens behov ivaretas.

NO

# ASSEMBLY

## Fylle drivstoff (bensin)

1. Bruk ren, fersk vanlig blyfri bensin med et oktantal på minimum 85 og et etanolinnhold som er mindre enn 10 %, målt etter volum.
2. IKKE bland olje med drivstoff.
3. Rengjør området rundt påfyllingslokket.
4. Fjern påfyllingslokket.
5. Fyll drivstoff sakte på tanken. IKKE FYLL FOR MYE. Drivstoff kan ekspandere etter påfylling. Minimum  $\frac{1}{4}$  tomme (6,4 mm) med ledig plass i tanken kreves for at bensinen skal kunne utvide seg, det anbefales imidlertid mer enn  $\frac{1}{4}$  tomme (6,4 mm). Drivstoff kan tvinges ut av tanken som en konsekvens at det fylles for mye. Dette kan påvirke produktets stabile driftsvilkår. Ved fylling av tanken anbefales det å la det være nok plass til at bensinen kan utvide seg.
6. Skru på drivstoffpåfyllingslokket og tørk av eventuelt drivstoffsøl.

### ! CAUTION

Bruk vanlig blyfri bensin med et oktantal på minimum 85.

Ikke bland olje og bensin.

Fyll tanken til omtrent  $\frac{1}{4}$  tomme (6,4 mm) under toppnivå i tanken. Dette gjør at bensinen kan utvide seg.

IKKE fyll bensin direkte på generatoren fra bensinstasjonen. Bruk en godkjent beholder til å fylle drivstoff på generatoren.

IKKE fyll drivstofftanken innendørs.

IKKE fyll drivstofftanken mens motoren går eller er varm.

IKKE fyll for mye på bensintanken.

IKKE tenn opp sigaretter eller røyk ved fylling av drivstofftanken.

### ! WARNING

Helling av drivstoff for raskt gjennom bensinsilen kan føre til tilbakeslag av drivstoff i retning av brukeren.

## Påfylling av drivstoff (fortsett)

### NOTE

Motorene våre fungerer godt med drivstoff som er blandet med 10 % eller mindre etanol. Ved bruk av drivstoff blandet med etanol er det noen ting man må huske på:

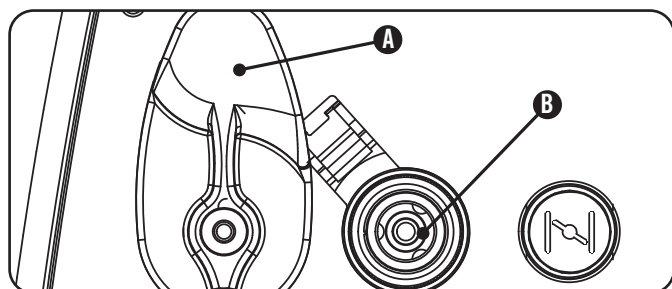
- Etanol blandet med bensin kan absorbere mer vann en ren bensin.
- Disse blandingene kan til syvende og sist skille seg og etterlate vann eller en vannaktig guffe i tanken, bensinventilen og forgasseren.
- Med falltilførsel kan det ødelagte drivstoffet trekkes inn i forgasseren og forårsake skade på motoren og/eller føre til potensielle farer.
- Det er bare noen få leverandører som produserer drivstoffstabilisatorer som er laget for å fungere sammen med bensin-etanolblandinger.
- Eventuelle skader eller farer som oppstår ved bruk av feil drivstoff, drivstoff som er lagret feil, og/eller feilproduserte stabilisatorer dekkes ikke av produsentens garanti.

Det er tilrådelig å alltid slå av drivstofftilførselen, kjøre motoren til den stopper og tømme tanken når utstyret ikke skal brukes på mer enn 30 dager.



## Tilkobling av propan (LPG)-sylinder

1. Sørg for at drivstoffvelgeren på inverteren er i klokken 12-posisjon (vertikal). (A)
2. Bruk fingrene til å skyve den ytre ringen på LPG-hurtigkoblingen tilbake (B).
3. Mens den ytre ringen er trukket tilbake settes LPG-slangen (inkludert) inn i inntaket. Slipp deretter den ytre ringen. Ringen går tilbake automatisk og låser slangen i inntaket.
4. Fjern sikkerhetspluggen eller -hetten fra ventilen på sylinderen.
5. Fest den andre enden av slangen til LPG-beholderen og stram til for hånd.
6. Sjekk alle koblinger for lekkasjer ved å fukte sammenkoblingene med en løsning av såpe og vann. Bobler eller bobler som vokser er en indikasjon på lekkasje. Hvis det oppdages en lekkasje, slå av drivstoffventilen på tanken og stram sammenkoblingen. Åpne for gassen igjen og kontroller koblingen på nytt med løsningen av såpe og vann. Dersom lekkasjen fortsetter eller hvis lekkasjen ikke er i en sammenkobling, skal ikke generatoren brukes. Kontakt kundeservice.



### NOTE

- Bruk bare standard 20 eller 30 pounds LPG-beholdere med type 1 Acme-gjenger, som går høyre.
- Påse at datostemplingen for resertifisering på beholderen ikke har gått ut.
- Alle nye beholdere må renses for luft og fukt før fylling. Brukte beholdere som ikke er pluggert igjen eller holdt stengt skal også renses.
- Renseprosessen bør utføres av en LPG-forhandler. (Beholdere fra leverandører som driver med byttesalg skal være rensed og fylt allerede).
- Plasser alltid beholderen slik at koblingen mellom ventilen på beholderen og gassinntaket ikke fører til skarpe bøyger eller knekker på slangen.

## Tilkobling av LPG-beholder (fortsett)

### CAUTION

Ikke la barn tukle med eller leke med beholderen eller slangekoblingene.

### ! CAUTION

Bruk godkjente LPG-beholdere utstyrt med OPD-ventil (overfilling prevention device). Ha alltid beholderen i vertikal posisjon med ventilen øverst og installert på bakkenivå på et jevnt underlag. Beholderne skal ikke installeres i nærheten av eventuelle varmekilder, og skal ikke utsettes for sol, regn, og støv. Under transport og lagring skal ventilen på beholderen og drivstoffventilen stenges, samt at beholderen skal kobles fra. Plugg igjen uttaket. Dette gjøres som regel med en plasthette, hvis den finnes. Hold beholderne borte fra varme, og sørg for lufting når de befinner seg i et kjøretøy.

### ! WARNING

Dersom det er sterk lukt av gass: Steng av gasstilførselen på beholderen. Bruk såpevann til å kontrollere slangen, tilkoblingene på beholderventilen og generatoren. Såpevann gjør at eventuelle lekkasjer vises som store bobler. Ikke røyk eller tenn opp sigaretter, eller se etter lekkasjer med en fyrstikk, åpen flammekilde eller lighter. Kontakt en kvalifisert tekniker for inspeksjon og reparasjon av LPG-anlegget hvis du finner en lekkasje, før du tar i bruk generatoren.

NO

## Jording

Generatoren din må kobles til en jording for å hindre elektrisk støt.

### ! WARNING

Å unnlate å jorde generatoren skikkelig kan føre til elektrisk støt.

Et jordingspunkt koblet til generatorens ramme er montert på strømpanelet. For fjernjording kobles det til en grov kobberkabel (12 AWG minimum) mellom jordingspunktet på generatoren og et kobberspyd som er stukket i jorden. Vi anbefaler på det sterkeste at du kontakter en kvalifisert elektriker for å sikre samsvar med lokale elektriske forskrifter.



# OPERATION

## Generatorens plassering

ALDRI bruk generatoren inne i eventuelle bygninger, inkludert garasjer, kjellere, krypkjellere og skur, lukkede rom eller liknende. Dette gjelder også generatorrommet i campingbiler. Kontakt lokale myndigheter. I noen områder må generatoren være registrert hos det lokale strømselskapet. Generatoren som brukes på byggeplasser kan være underlagt ytterligere regler og forskrifter.

Generatoren skal alltid stå på et flatt, jevnt underlag (også når de ikke er i bruk). Generatoren skal ha minst 5 fo. (1,5 meters) avstand til alle brennbare materialer. I tillegg til klaring til alle brennbare materialer, skal generatoren også ha minst 3 fot (91,4 cm) klaring på alle sider for tilstrekkelig kjøling, vedlikehold og service. Generatoren skal aldri startes eller brukes inne i en SUV, campingbil, tilhenger, på planet til en lastebil (vanlig, flat eller annet), under trapper/trapperom, ved siden av vegger eller bygninger, eller på andre steder der det ikke er tilstrekkelig kjøling for generatoren og/eller eksosanlegget. IKKE lukk generatoren inne under drift. La alltid generatoren avkjøle seg skikkelig før transport eller lagring.

Plasser generatoren på et sted med god ventilasjon. IKKE plasser generatoren i nærheten av ventiler eller inntak der avgass fra eksosen kan trenge inn i bebodde eller trange steder. Ta hensyn til vind og luftstrømmer ved plassering av generatoren.

**Unnlatelse i å følge sikkerhetsforskriftene kan ugyldiggjøre produsentens garanti.**

### WARNING

Ikke bruk eller oppbevar generatoren i regn, snø, eller fuktig vær.

Bruk av en generator eller et elektrisk apparat i fuktige forhold, slik som regn eller snø, i nærheten av et basseng eller et sprinklersystem, eller der hendene dine er våte, kan føre til elektrisk støt.

### WARNING

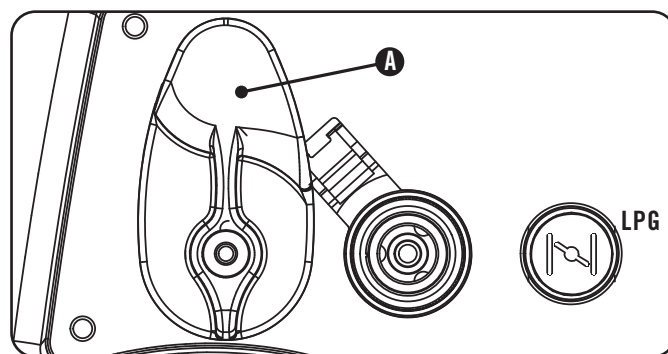
Under drift blir eksosanlegget og avgassene som produseres varme. Hvis ikke kjøling og lufting er tilstrekkelig, eller hvis generatoren blir blokkert eller stengt inne, kan temperaturen bli ekstremt opphetet, noe som kan føre til brann

## Jording

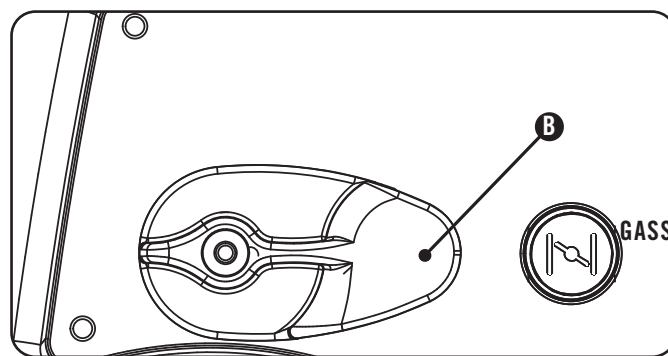
Generatorsystemets jording kobler rammen til jordingskontaktene på strømpanelet. Systemjordingen er koblet til den nøytrale AC-ledningen.

## Bryter for valg av drivstoff

Drivstoffvelgerbryteren på frontpanelet på inverteren er designet spesielt for å velge mellom ønsket drivstoffkilde, bensin eller LPG. For å velge ønsket drivstoffkilde, roterer du simpelthen velgerbryteren på panelet. Drei drivstoffvelgeren til klokken 12-posisjonen (vertikal) for LPG-drift. (A)



Drei drivstoffvelgeren til klokken 3-posisjonen (horisontal) for bensindrift. (B)



### NOTE

Når drivstoffvelgeren står i klokken 3-posisjonen, er bensinventilen ÅPEN. For å LUKKE bensinventilen, drei velgerbryteren til klokken 12-posisjonen.

## Start av inverteren

### CAUTION

Hvis tenningsbryteren holdes i "Start"-posisjonen i mer enn 5 sekunder kan det skade startmotoren.

### NOTE

Det medfølgende 12V 7AH-batteriet lader seg opp mens motoren går, men det anbefales også at batteriet lades helt opp minst en gang i måneden.

### NOTE

Når batteribryteren er i "PÅ"-stilling, lyser bryteren hvis batteriet sender ut spenning. Hvis lyset ikke lyser mens bryteren står i "PÅ"-stilling, kontroller batteritilstanden.

### NOTE

Hvis motoren starter, men ikke fortsetter å gå, sørg for at generatoren står på et flatt, jevnt underlag. Motoren er utstyrt med en sensor for lavt oljenivå. Denne hindrer motoren fra å starte hvis oljenivået faller under en kritisk terskelgrense.

## Bensin

### NOTE

Generatoren vil IKKE STARTE på bensin uten batterispenning eller en egnet tilkobling.

1. Sørg for at generatoren står på et flatt, jevnt underlag.
2. Koble alle elektriske belastninger fra generatoren. Aldri start eller stopp generatoren med elektriske apparater tilkoblet eller slått på.
3. Drei drivstoffvelgerbryteren til "horisontal"-posisjon.
4. Dra choken ut til "CHOKE"-stilling.
5. Skyv tenningsbryteren til "PÅ"-posisjon.
6. Skyv batteribryteren til "PÅ"-posisjon.
7. ELEKTRISK START: Trykk og hold inne tenningsbryteren i "START"-posisjon. Slipp når motoren starter. Hvis motoren ikke starter innen fem sekunder, slipp bryteren og vent minst ti sekunder før du prøver å starte motoren igjen.
8. SNORSTART: Dra startsnoren sakte til motstand dannes, trekk deretter raskt.
9. Ikke gi for mye choke. La motoren varme seg i flere sekunder før du gradvis skyver choken til "RUN"-stilling.

### NOTE

Ikke ha chokehendelen i "CHOKE"-posisjon mer enn ett trekk i startsnoren. Etter det første draget, dytt chokehendelen inn igjen de neste 3 dragene i snorstarten. For mye choke fører til at pluggen jukser/motoren drukner på grunn av mangel på luft. Dette gjør at motoren ikke vil starte.

NO

# OPERATION

## LPG

1. Sørg for at generatoren står på et flatt, jevnt underlag.
2. Koble alle elektriske belastninger fra generatoren. Aldri start eller stopp generatoren med elektriske apparater tilkoblet eller slått på.
3. Drei drivstoffvelgeren til "vertikal"-posisjonen og koble til LPG-slangen.
4. Åpne drivstoffkranen på LPG-beholderen helt.
5. Skyv tenningsbryteren til "PÅ"-posisjon.
6. Skyv batteribryteren til "PÅ"-posisjon.
7. ELEKTRISK START: Dra choken til "CHOKE"-stilling.
8. Trykk og hold inne tenningsbryteren i "START"-posisjon. Slipp når motoren starter. Hvis motoren ikke starter innen fem sekunder, slipp bryteren og vent minst ti sekunder før du prøver å starte motoren igjen.
9. Ikke gi for mye choke. La motoren varme seg i flere sekunder før du gradvis skyver choken til "RUN"-stilling.
10. SNORSTART: Dra choken til "CHOKE"-stilling.
11. DRA FOR Å PRIME Dra startsnoren sakte til motstand dannes, trekk deretter raskt. Dra med choken ute 1-2 ganger til du føler et par tenningspulser som indikerer at motoren starter.
12. Skyv choken inn.
13. Dra startsnoren sakte til motstand dannes, trekk deretter raskt.
14. Hvis motoren ikke starter på et drag med choken i "RUN", dra choken ut og gjenta DRA FOR Å PRIME-trinnet.

## Start på LPG (fortsett).

### NOTE

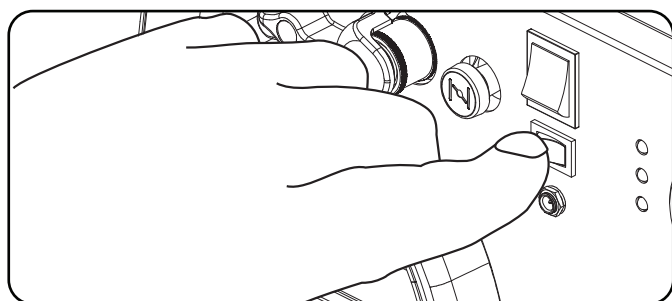
Frost på LPG-beholdere og regulatorer er normalt under bruk og er normalt ikke et tegn på at noe er galt. Når LPG går over i gassform og beveger seg fra beholderen til generatoren utvider den seg. Mengden frost som dannes kan påvirkes av størrelsen på beholderen, mengden drivstoff som brukes, fuktigheten i luften og andre driftsforhold. I uvanlige situasjoner kan denne frosten hindre gasstrømmen til generatoren, noe som kan føre til svekket ytelse. Hvis for eksempel beholdertemperaturen reduseres til et veldig lavt nivå, reduseres også hastigheten LPG-gassen fordampes. Dette kan føre til utilstrekkelig tilførsel av drivstoff til motoren. Dette er ikke en indikasjon på at noe er galt med generatoren, kun et problem med LPG-strømmen fra beholderen. Dersom generatorens ytelse påvirkes negativt samtidig som det dannes is på beholderventilen, slangen eller regulatoren, kan det iverksettes noen tiltak for å eliminere disse symptomene:

I disse sjeldne situasjonene kan det hjelpe å redusere eller eliminere effektene av kaldt drivstoffsystem ved å gjøre en av følgende ting:

- Bytte drivstoffbeholdere for å la den første varme seg opp, og gjenta etter behov
- Plassere LPG-beholderen ved håndtaket på generatoren, der motorviften blåser luft ut fra generatoren. Luften varmes en anelse når den strømmes over motoren. Beholderen skal ikke plasseres foran eksosanlegget.
- Beholderen kan midlertidig varmes opp ved å helle varmt vann over den.

## Bryter for økonomistyring

Økonomibryteren kan aktiveres for å slå på økonomimodus for å minimere drivstofforbruk og støy når enheten går med **redusert elektrisk belastning**. Dette gjør at motorhastigheten reduseres til tomgang når den ikke er i bruk. Motorhastigheten går tilbake til normal når det kobles til en elektrisk belastning. Når økonomibryteren slås av, går motoren på normal hastighet hele tiden.



### **! WARNING**

I perioder med høy elektrisk belastning eller midlertidige svingninger, bør økonomistyring være avslått.

## 12V DC-uttak

12V DC-uttaket kan brukes med den medfølgende ladekabelen og USB-laderen, samt andre kommersielt tilgjengelige 12V DC-plugger for biluttak. DC-utgangen i er ikke regulert og kan skade enkelte produkter. Bekreft at inngangsspenningen på tilbehøret ditt er minst 12-24V DC. Ved bruk av DC-uttaket, slå økonomibryteren til "AV"-posisjon.

### **! WARNING**

Ikke bruk en enhet mens den er koblet til 12V DC-uttaket.

Langvarig eksponering for motorens eksos kan forårsake alvorlig personskade eller død.

### **! WARNING**

Ved lading av en enhet, ikke plasser den på eksosiden av generatoren. Ekstrem varme fra eksosen kan skade enheten og være en mulig brannfare.

## Tilkobling av elektriske belastninger

1. La motoren stabilisere seg og varmes opp et par minutter etter oppstart.
2. Koble til og slå på ønsket elektrisk belastning på 120 volt AC i enkeltfase på 60 Hz.
  - IKKE koble 3-fasede belastninger til generatoren.
  - IKKE koble belastninger på 50 hertz til generatoren.
  - IKKE overbelast generatoren.

### **NOTE**

Tilkobling av en generator til kraftselskapets nett eller til en annen strømkilde kan stride mot lovverket. I tillegg kan denne handlingen, hvis den utføres på feil måte, skade generatoren din og apparatene dine, og forårsake alvorlig skade og død for deg eller en ansatt i strømselskapet som jobber på kraftlinjer i nærheten. Hvis du har planer om å bruke en elektrisk generator ved et strømbrudd, gi beskjed til strømselskapet ditt umiddelbart og husk å koble apparatene dine rett inn i generatoren. Ikke koble generatoren til eventuelle stikkontakter i hjemmet ditt. Dette kan føre til at du kobler deg til strømselskapets kraftlinjer. Du er ansvarlig for å påse at elektrisiteten som generatoren din produserer ikke mates tilbake i strømmettet.

Dersom generatoren skal kobles til det elektriske anlegget i en bygning, kontakt det lokale strømselskapet eller en kvalifisert elektriker. Koblingene må isolere generatorstrømmen fra strømmettet og må overholde alle gjeldende lover og forordninger.

**NO**

## Paralleldrift

To (2) Champion-generatorene av modelltypen 73001I-DF (EU) kan driftes parallelt for å øke den totale mengden tilgjengelig elektrisk kraft. Et Champion CPGPARKIT3K parallellsett (ekstrautstyr) kreves for paralleldriften. For tilgjengelige sett, kontakt kundeservice hos din lokale forhandler.

Detaljerte instruksjoner for installasjon av parallellsett og drift av de tilkoblede generatorene finnes i brukerhåndboken til parallellsettet.

# OPERATION

## Ikke overbelast generatoren

### Kapasitet

Følg disse enkle trinnene for å beregne drifts- og oppstartswatt til dine behov:

1. Velg de elektriske apparatene du skal bruke samtidig.
2. Slå sammen wattstyrken på disse. Dette er den mengden strøm du trenger for å holde enhetene dine i gang.
3. Kartlegg høyeste oppstartswatt fra alle enheter i trinn 1. Legg dette tallet til antallet beregnet i trinn 2. Oppstartswatt er den ekstra kraften som trengs akkurat i det øyeblikket enkelte elektriske apparater starter opp. Ved å følge trinnene som er listet opp under "Strømstyring" garanteres det at bare en enhet starter av gangen.

### Strømstyring

Bruk følgende formel til å konvertere volt og ampere til watt:

$$\text{Volt} \times \text{ampere} = \text{Watt}$$

For å forlenge levetiden til generatoren din og de tilkoblede enhetene, følg disse trinnene for å legge til elektrisk belastning:

1. Start generatoren uten noen elektriske belastninger tilkoblet
2. La motoren gå i noen minutter slik at den får stabilisert seg.
3. Koble til og slå på det første apparatet. Det er best å koble til det apparatet som har den største belastningen først.
4. La motoren stabilisere seg.
5. Koble til og slå på det neste apparatet.
6. La motoren stabilisere seg.
7. Gjenta trinnene 5-6 for hvert ekstra apparat.

#### NOTE

Aldri overskrid den spesifiserte kapasiteten når generatoren belastes.

## Stoppe motoren

1. Slå av og koble fra alle elektriske belastninger. Aldri start eller stopp generatoren med elektriske apparater tilkoblet eller slått på.
2. La generatoren gå uten belastning i noen minutter for å stabilisere den innvendige temperaturen på motoren og generatoren.
3. Vri drivstoffventilen til "AV"-posisjon ved bensindrift.
4. Drei hjulet på LPG-beholderen til "LUKKET" eller avslått posisjon ved LPG-drift.
5. La motoren gå til den stopper på grunn av drivstoffmangel. Dette tar som regel et par minutter.
6. Skyv tenningsbryteren til "AV"-posisjon.
7. Skyv batteribryteren til "AV"-posisjon.

**Viktig:** Påse alltid at drivstoffventilen og tenningsbryteren er i "AV"-posisjon når motoren ikke er i bruk.

#### NOTE

Når generatoren slås av etter drift på LPG-drift, påse at knotten på LPG-beholderen er i helt lukket posisjon.

#### NOTE

Hvis generatoren ikke skal brukes i mer enn to (2) uker eller mer, se avsnittet for lagring for riktig lagring av motor og drivstoff.

#### NOTE

Slå alltid batteribryteren til "AV"-posisjon når enheten ikke er i bruk. Dette hindrer at batteriet tappes. Følg vedlikeholds- og lagringsinstruksene for generatoren og batteriet når enheten ikke skal brukes på 2 uker eller mer.

## Drift i stor høyde

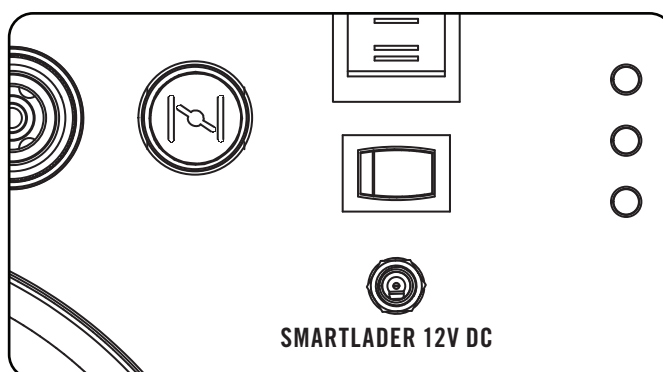
Lufttettheten i stor høyde er mindre enn ved havnivå. Motorkraften reduserer i takt med at luftmengden og blandingsforholdet mellom drivstoff og luft minsker. Motorkraft og generatorens effekt reduseres med omtrent 3½% for hver 1000. fot med stigning over havnivået. Dette er naturlig og kan ikke endres på ved å justere på motoren. I store høyder kan økte eksosutslipp også oppstå på grunn av økt berikelse av blandingsforholdet mellom luft og drivstoff. Andre problemer som kan oppstå i stor høyde er startvansker, økt bensinforbruk og svikt i tennpluggen.

## Overbelastning

Lyset for overbelastning slås på når angitt maksimal belastning overskrides. Når maksimal belastning nås, blinker LED-lampen og kutter strømmen til kontaktene. For å slå på strømmen igjen, slå av motoren, vent til lyset slår seg av og start generatoren på nytt.

## Smartlader

Smartladeren (inkludert) er en enhet som brukes til å lade generatorbatteriet. Smartladeren kobles til generatoren, i DC-inngangen på frontpanelet, deretter inn i en stikkontakt i veggen. Det er et lys på laderen. Hvis batteriet har behov for lading, lyser den røde lampen. Hvis batteriet er bra og ikke trenger lading eller er fulladet lyser den grønne lampen. Smartladeren er programmert til å ikke lade eller til å stoppe ladingen når lampen er grønn. Dette er en sikkerhetsfunksjon som bidrar til å forhindre skade på batteriet og generatoren.



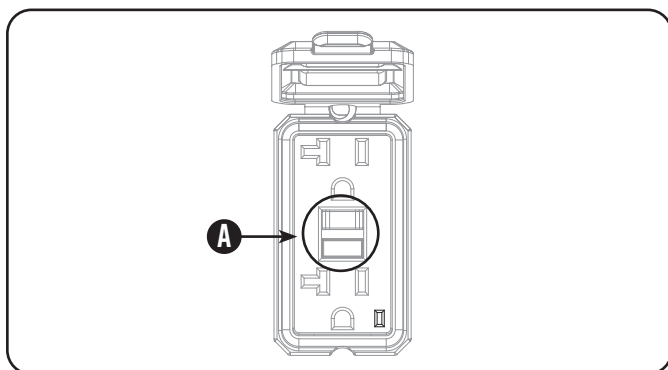
### NOTE

Hvis batteriet er helt dødt og ikke tar i mot lading, kan smartladeren kobles til en strømkilde for å gi strøm til choken.

# OPERATION

## GFCI

Generatoren din er utstyrt med to (2) jordfeilbryterduplekser (GFCI). Ved jordfeil, slår jordfeilbryteren inn og stopper elektrisiteten, noe som igjen hindrer alvorlig personskade. Den grønne lampen på kontakten slås også av. Trykk på tilbakestillingsknappen foran på kontakten for å gjenopprette strømmen. (A) Den grønne indikatorlampen slår seg også på. Jordfeilbryteren beskytter ikke mot overbelastninger.



For å sikre at GFCI-dupleksen fungerer som den skal, utfør denne testen månedlig:

1. Sett en lampe inn i GFCI-kontakten mens generatoren står og går. Slå lampen på.
2. Trykk på "Test"-knappen foran på kontakten for å utløse enheten. (A) Dette stopper elektrisiteten umiddelbart og slår av lampen. Dersom elektrisiteten ikke kuttes, skal ikke denne kontakten brukes før den er reparert eller skiftet ut.
3. Trykk på tilbakestillingsknappen foran på kontakten for å gjenopprette strømmen. Hvis indikatorlampen ikke slukker eller slår seg på igjen, eller hvis jordfeilbryteren ikke kan nullstilles, må den skiftes ut.

## WARNING

For at GFCI-kontaktene skal fungere som de skal må den nøytrale ledningen være koblet til jord eller generatorrammen. Champion-generatoren din leveres med nøytralkabelen ferdig festet til rammen. Hvis denne kabelen fjernes, virker ikke lenger GFCI-kontaktene slik de var ment å gjøre. Hvis den nøytrale kabelen fjernes for å få plass til en overføringsbryter for tilkobling til et hus eller et bygg, må overføringsbryteren ikke slå av nøytraltilkoblingen til jordingen i bygningen. Champion Power Equipment anbefaler at du kontakter en godkjent, lokal elektriker. På grunn av de mange forskjellige lokale forskriftene, kan vi ikke spesifikt rådgi deg angående modifisering av koblingene på den bærbare generatoren din.



Eieren/brukeren er ansvarlig for alt periodisk vedlikehold. Utfør alt planlagt vedlikehold på riktig måte. Korriger

## **WARNING**

Aldri bruk en skadet eller defekt generator.

## **WARNING**

Tukling med den fabrikkinnstilte styringen for blanding av luft og drivstoff ugyldiggjør garantien din.

## **WARNING**

Feil vedlikehold gjør garantien din ugyldig.

## **NOTE**

Vedlikehold, utskiftning eller reparasjon av styringsenheter for avgassutslipp og systemer kan utføres av alle motorverksteder eller individer som ikke driver med kjøretøy.

eventuelle feil før generatoren tas i bruk.

## Motorvedlikehold

For å forhindre utilsiktet start, fjern og koble tennpluggen til jord før eventuell service utføres.

### Olje

Bytt olje når motoren er varm. Se på oljespesifikasjonen for å velge riktig oljeviskositet til akkurat ditt driftsmiljø.

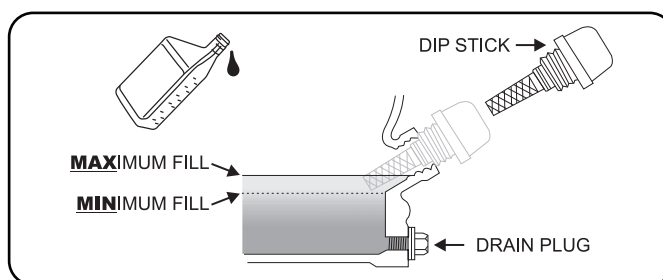
1. Sett generatoren opp på en arbeidsbenk eller et bord.
2. Løsne skruene til dekselet og fjern vedlikeholdsdekselet.
3. Ta ut vedlikeholdspluggen av gummi, nedenfor tappepluggen.
4. Fjern tappepluggen.
5. Vipp generatoren over på siden og la oljen renne fullstendig ut.
6. Sett inn tappepluggen igjen.
7. Fyll på vanlig motorolje og sett på oljepåfyllingslokket/peilepinnen igjen. **IKKE FYLL FOR MYE.**

### Olje (fortsett)

8. Sett på vedlikeholdsdekselet igjen og stram skruene til dekselet.
9. Avhend brukt olje på et godkjent oppsamlingssted.

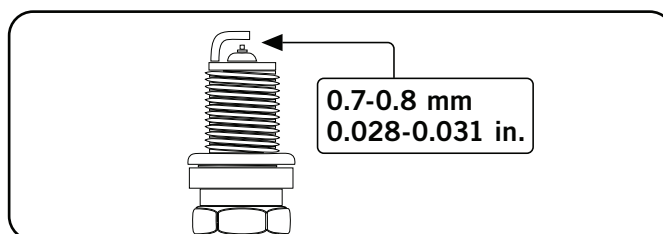
## **NOTE**

Når olje er fylt på, skal det gjøres en visuell sjekk. Den skal vise olje omtrent 1-2 gjenger ned i påfyllingshullet. Hvis det benyttes en peilepinne til å kontrollere oljenivået, **IKKE** skru inn peilepinnen når du sjekker.



### Tennplugger

1. Fjern pluggledningen fra tennpluggen.
2. Bruk en tennpluggnøkkel eller en pipe (ikke inkludert) til å fjerne pluggen med.
3. Undersøk elektroden på pluggen. Den skal være ren og ikke slitt for å lage gnisten som kreves for tenning.
4. Påse at tennpluggspalten er 0,7 - 0,8 mm eller (0.028 - 0.031 tommer.).
5. Se i oversikten over anbefalte tennplugger ved



- utskiftning av pluggen.
6. Skru pluggen forsiktig inn i motoren.
7. Bruk pluggnøkkelen (medfølger ikke) til å stramme pluggen med.
8. Fest pluggledningen på tennpluggen.

**NO**



# MAINTENANCE AND STORAGE

## Luftfilter

1. Fjern vedlikeholdsdekselet
2. Finn plastdekselet til luftfilteret.
3. Løsne låsehengselen på dekselet.
4. Fjern det gamle filteret.
5. Sett det nye filteret på plass.
6. Sett på hengselen på luftfilterdekselet.
7. Sett på vedlikeholdsdekselet igjen og stram skruen til dekselet godt.

## Rengjøring

### ! CAUTION

IKKE sprut vann på generatoren.

Vann kan forurense drivstoffsystemet.

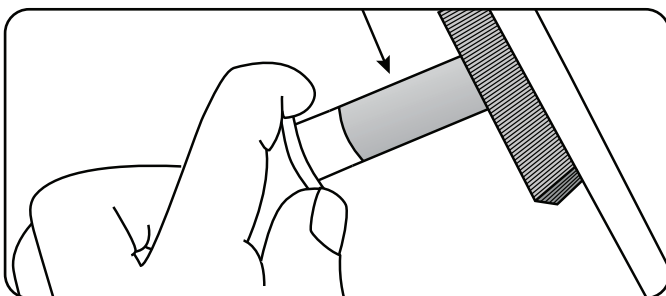
Bruk en fuktig klut for å rengjøre de utvendige flatene på generatoren.

Bruk en børste med myk bust til å fjerne smuss og olje.

Bruk en luftkompressor (25 PSI) til å fjerne smuss og rusk fra generatoren.

## Gnistfanger

1. La motoren avkjøle seg fullstendig før det utføres service på gnistfangeren.
2. Fjern de to skruene som holder dekselet som fester enden av gnistfangeren til eksosanlegget.
3. Fjern duken fra gnistfangeren.
4. Fjern forsiktig karbonavleiringene fra gnistfangerduken med en stålbørste.
5. Bytt ut gnistfangeren hvis den er skadet.
6. Sett gnistfangeren på eksosanlegget og fest med de to skruene.



### ! CAUTION

Ved å unnlate å rengjøre gnistfangeren reduseres motorens ytelse.

## Justeringer

Blandingen av luft og drivstoff er ikke justerbar. Tukling med styringen for blanding av luft og drivstoff kan skade generatoren og de elektriske apparatene din, og ugyldiggjør garantien din.

## Vedlikeholdsplan

Følg serviceintervallene som er indikert på følgende vedlikeholdsplan.

Ta service hyppigere på generatoren din når den brukes under ugunstige forhold.

Hver 8. time eller daglig	
	Sjekk oljenivået
	Rengjør rundt luftinntaket og eksosanlegget
	Sjekk slanger for lekkasjer
De første 5 timene	
	Bytt olje
Hver 50. time eller hver sesong	
	Rengjør luftfilteret
	Bytt olje ved høy belastning eller ved bruk i varme omgivelser
Hver 100. time eller hver sesong	
	Bytt olje
	Rens/juster tennpluggen
	Kontroller/juster ventilklingen*
	Rengjøring av gnistfanger
	Rengjøring av bensintank og filter*
Hver 250. time	
	Rengjøring av forbrenningskammer*
Hvert 3. år	
	Skift ut drivstoffslange og LPG-slange

\*Skal utføres av kunnskapsrike, erfarne eiere eller CPE-sertifiserte servicesentre.

## Generatorbatteri

Dette produktet er utstyrt med en automatisk batteriladekrets. Batteriet tar i mot ladespenning mens motoren går. Batteriet opprettholder riktig lading hvis enheten brukes regelmessig (omtrent en gang annenhver uke). Hvis det brukes sjeldnere, bør batteriet kobles til en vedlikeholdslader (inkludert) eller batterilader for å holde batteriet tilstrekkelig oppladet. Hvis batteriet ikke er i stand til å starte motoren, kan det startes ved å trekke manuelt i snorstarten. Hvis batterispenningen er ekstremt lav, kan det hende at batteriladekretsen ikke er i stand til å lade opp batteriet. Hvis så er tilfelle, må batteriet kobles til en standard billader for opplading før det kan brukes.

## Lading av batteriet

For en generator utstyrt med batterier for elektrisk start, bør prosedyrer riktig batterivedlikehold og lagring følges. En automatisk batterilader (inkludert) med automatisk lading bør brukes til å lade batteriet. Maksimal lading bør ikke overskride 1,5 ampere. Følg instruksjonene som følger med batteriladeren. Batteriet skal lades helt opp minst en gang i måneden.

### NOTE

En vedlikeholdslader opprettholder batteriets tilstand over lengre lagringsperioder.

## Frakobling av batteriet

1. Fjern paneldekselet til batteriet.
2. Fjern beskyttelsesdekselet fra den sorte/negative ledningen på batteriet.
3. Koble fra den sorte/negative ledningen fra den sorte/negative terminalen på batteriet og legg hetteskruen og mutteren til side.
4. Gjenta trinn 1-2 for den røde/positive batteriledningen.
5. Lagre batteriet på et kjølig, tørt sted.

## Vedlikehold av generatoren

Sørg for at generatoren holdes ren og lagres riktig.

Enheten skal bare brukes på et flatt, jevnt underlag i et rent, tørt driftsmiljø. IKKE utsett enheten for ekstreme forhold, overdrevne støvmengder, smuss, fukt eller etsende damp.

Bruk en fuktig klut for å rengjøre de utvendige flatene på generatoren.

Bruk en børste med myk bust til å fjerne smuss og olje.

Bruk en luftkompressor (25 PSI) til å fjerne smuss og rusk fra generatoren.

Inspiser alle luftventiler og kjølespalter for å sikre at de er rene og ikke tilstoppet av noe.

### CAUTION

IKKE bruk hageslangen til å rengjøre generatoren med.

Vann kan trenge inn i generatoren via kjølespaltene og skade generatorviklingene.

NO

# MAINTENANCE AND STORAGE

---

## Lagring

Generatoren skal startes minst en gang hver 14. dag og la den gå i minst 20 minutter.

For langtidslagring, følg disse retningslinjene.

### Lagring av generatoren

1. Fyll en drivstoffstabilisator som er riktig formulert på tanken.
2. Sørg for at alle apparater er koblet fra generatoren.
3. Kjør generatoren i et par minutter slik at det behandlede drivstoffet går gjennom drivstoffsystemet og forgasseren.
4. Vri drivstoffventilen til "Av"-posisjon.
5. La generatoren gå til den stopper på grunn av drivstoffmangel. Dette tar som regel et par minutter.
6. Generatoren må avkjøles helt før rengjøring og lagring.
7. Fjern pluggetten, deretter drar du 3 ganger i snorstarten for å tømme bensin fra dysene i forgasseren.
8. Skifte motoroljen.
9. Fjern tennpluggen og hell omtrent en spiseskje med olje inn i sylindren. Sveiv motoren sakte for å fordele oljen og smøre sylindren.
10. Sett på tennpluggen igjen.
11. Oppbevar enheten på et rent, tørt sted, skjermet mot direkte sollys.

### **DANGER**

Generatoreksos inneholder karbonmonoksid, en fargeløs og luktfri gass.

For å hindre at din generator med elektrisk start ikke tenner utilsiktet ved lagring, bør følgende forhåndsregler følges:

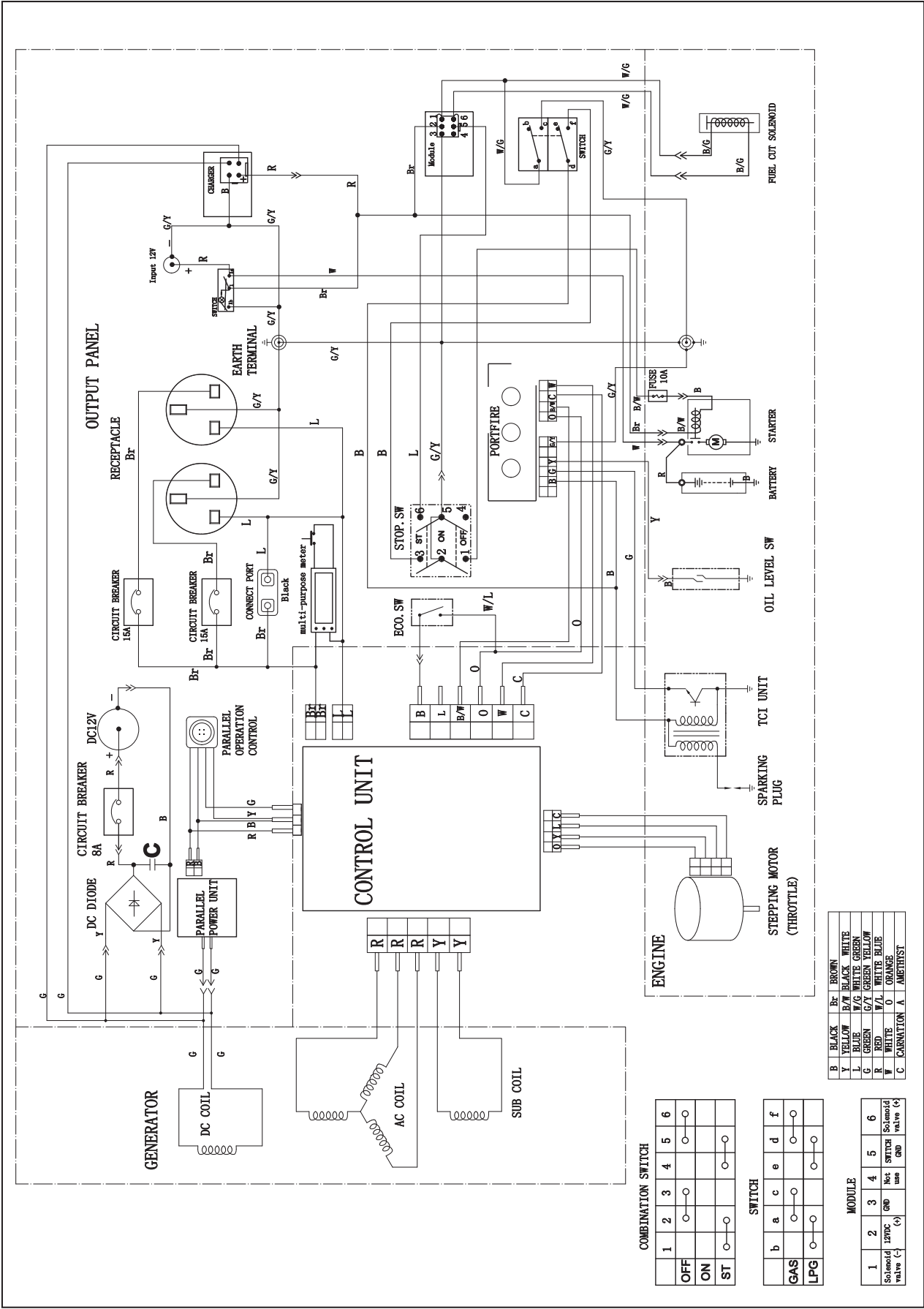
- Ved lagring av generatoren i kortere tidsperioder, sørg for at tenningsbryteren, drivstoffventilen og batteribryteren er i AV-stilling.
- Ved lagring av generatoren i lengre tidsperioder, sørg for at tenningsbryteren, drivstoffventilen og batteribryteren er i AV-stilling, og at ledningene er koblet fra batteriet.

Problem	Årsak	Løsning
Generatoren starter ikke	Ikke noe drivstoff	Fyll på drivstoff
	Svikt i tennplugg	Skift ut tennpluggen
	Enhet belastet under oppstart	Fjern belastning fra enheten
Generatoren starter ikke: Generatoren starter, men går ujevnt.	Lavt oljenivå.	Fyll veivhuset til riktig nivå.
		Plasser generatoren på et flatt, jevnt underlag.
	Choken er i feil posisjon.	Juster choken.
	Pluggkabelen er løs.	Fest ledningen til tennpluggen.
Generatoren starter ikke:	Generatorbatteri er dødt	Lad opp generatorbatteriet
	Batteribryteren er i "AV"-posisjon.	Vri batteribryteren til "PÅ"-posisjon.
Generatoren slår seg av under drift.	Tomt for drivstoff	Fyll tanken med drivstoff.
	Lavt oljenivå.	Fyll veivhuset til riktig nivå. Plasser generatoren på et flatt, jevnt underlag.
Generatoren klarer ikke å levere nok strøm eller den overopphetes	Generatoren er overbelastet.	Se over belastningen og juster. Se "Strømstyring"
	Utilstrekkelig ventilasjon	Se etter luftblokkeringer. Flytt til et område med god ventilasjon
Ingen AC-strøm	Kabel ikke skikkelig tilkoblet	Kontroller alle tilkoblinger
	Tilkoblet enhet er defekt	Skift ut defekt enhet
	Effektbryter er åpen	Tilbakestill effektbryter
	Løse kabler	Inspiser og stram kabelkoblinger
	Annet	Kontakt hjelpetelefonen
Gjentatte utslag på effektbryter	Overbelastning	Se over belastningen og juster. Se "Strømstyring"
	Svikt i ledninger eller enhet	Se etter ødelagte, bare, eller frynsete ledninger. Skift ut defekt enhet

# SPECIFICATIONS

SPECIFICATIONS	73001i-DF-EU/SC
Gasoline Starting Watts	3500W
Gasoline Running Watts	3200W
Propane Starting Watts	3150W
Propane Running Watts	2880W
Gasoline Starting Amps at 120V	15.91A
Gasoline Running Amps at 120V	14.55A
Propane Starting Amps at 120V	14.32A
Propane Running Amps at 120V	13.09A
Volts	220
Frequency	50Hz
Outlets	220V 16A Euro 2Pin
GFCI Outlets	No
Covered Outlets	Yes
Gasoline Run Time at 1/4 Load	7.5 h.
Propane Run Time at 1/4 Load	14.5 h.
Noise Level	59.0 dBA
Inverter	Yes
Parallel Capability	Yes
DC Operation	Yes
Voltmeter	No
Automatic Voltage Regulation	No
Battery	Yes
Start Type	Recoil, Electric
Engine Brand	Champion
Engine Size	192cc
Engine Type	4-stroke
Engine Speed	Variable
Fuel Type	Gasoline, Propane (LPG)
Fuel Gauge	No
Gasoline Capacity	6L
Gasoline Tank Material	Steel
Engine Oil Type	10W-30
Engine Oil Capacity	0.6 L
Engine Oil Included	No
Low Oil Shut-Off	Yes
Wheels	Yes
Wheel Type	Solid
Wheel Diameter	5.5 in.
CE Approved	Yes

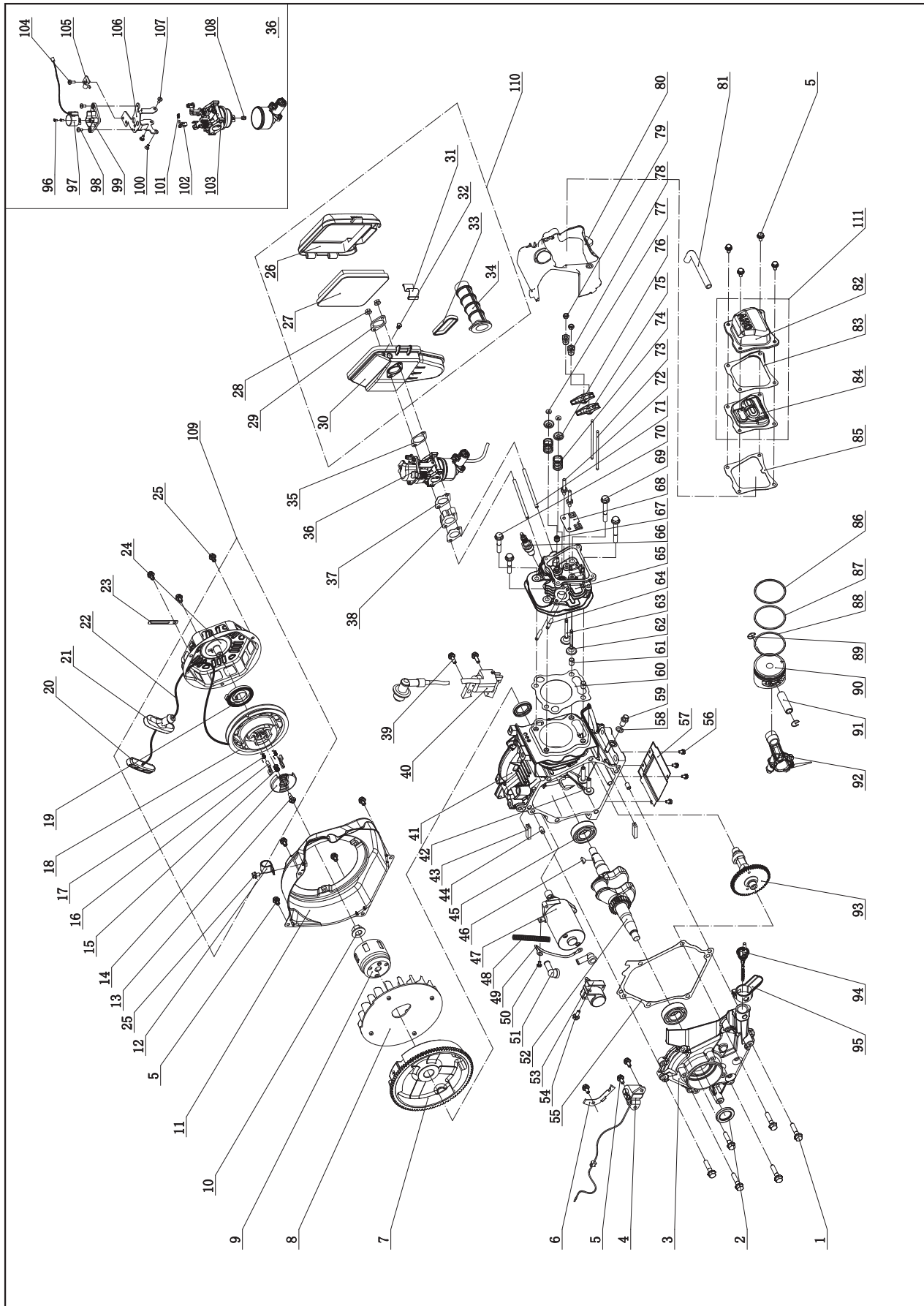
73001I-DF (EU/SC) WIRING DIAGRAM



EN

# TECHNICAL DIAGRAMS

## 73001I-DF (EU/SC) PARTS DIAGRAM



## 73001I-DF (EU/SC) PARTS LIST

No	Part Number	Description	QTY
1	1.5789.0835	Flange Bolt, M8 x 35	6
2	2.11.014	Oil Seal	2
3	83.030007.01	Cover, Crankcase	1
4	83.127000.01	Oil Level Sensor	1
5	1.5789.0612	Flange Bolt, M6 x 12	11
6	83.030010.01	Plate, Coil	1
7	83.120100.02	Flywheel	1
8	83.080001.01	Cooling Fan	1
9	83.060001.01	Pulley, Starter	1
10	2.02.006	Flange Nut, M14 x 1.5	1
11	87.080100.01.2	Fan Cover	1
12	2.06.029	Clamp, Ø17	1
13	45.060008.00	Screw, Ratchet Guide	1
14	45.060007.00	Ratchet Guide	1
15	45.060009.00	Spring, Ratchet Guide	1
16	45.060002.00	Starter Ratchet, Iron	2
17	45.060003.00	Spring, Ratchet	2
18	21.061001.01	Reel, Recoil Starter	1
19	21.061005.00	Spring, Recoil Starter	1
20	81.061010.01	Holder, Rope	1
21	81.061006.00	Grip, Rubber	1
22	2.10.001	Rope, Ø4 x 1570	1
23	2.05.050	Clamp, 100 mm, Wire	1
24	83.061100.01.2	Cover, Recoil Starter	1
25	1.5789.0608	Flange Bolt, M6 x 8	4
26	83.091200.01	Cover, Air Cleaner	1
27	83.091300.01	Element, Air Cleaner	1
28	1.6177.1.06	Lock Nut M6, Flange	2
29	83.090001.01	Flange, Steel	1
30	83.091100.01	Base, Air Cleaner	1
31	83.091006.01	Buckle	1
32	83.091008.01	Plug, Air Cleaner Base	1
33	83.091002.02	Seal	1
34	83.090004.01	Pipe, Air Cleaner	1
35	83.130004.01	Gasket, Air Cleaner	1
36	87.130000.01	Carburetor Assembly	1
37	83.130002.01	Gasket, Insulator	2
38	83.130001.01	Insulator, Carburetor	1
39	1.5789.0620	Flange Bolt, M6 x 20	2
40	28.123000.00	Ignition Coil	1
41	28.030100.01	Crankcase	1
42	83.040013.01	Lifter, Valve	2
43	83.030013.01	Seal Strip, Crankcase Cover	2
44	2.04.002	Dawl Pin, 8 x 14	2
45	1.276.6205	Bearing 6205	2
46	2.14.017	Woodruff Key, 4 x 6.5 x 16	1
47	83.125100.01	Starter Motor	1
48	5.1320.010	Plastic Corrugated Pipe, Ø6.8 x Ø10 x 100	1
49	5.1900.065	Red Wire, 130 mm	1
50	1.9074.3.0508	Screw/Washer Assembly, M5 x 8	1
51	152.200013.01	Sheath, Rubber	2
52	83.050100.01	Crankshaft	1
53	83.125200.01	Relay, Starter	1
54	1.5789.0615	Flange Bolt, M6 x 15	1
55	83.030008.01	Gasket, Crankcase Cover	1
56	1.9074.4.0510	Screw/Washer Assembly, M5 x 10	4

No	Part Number	Description	QTY
57	83.080014.01.01	Air Guide Board	1
58	2.03.016	Washer, Ø10 x Ø16 x 1.5, Drain Bolt	1
59	2.08.037	Bolt, M10 x 1.25 x 25, Drain	1
60	28.030009.00	Gasket, Cylinder Head	1
61	2.04.003	Dowel Pin, Ø10 x 14	2
62	83.040006.01	Valve, Exhaust	1
63	83.040002.01	Valve, Intake	1
64	2.01.017	Stud Bolt, M6 x 32	2
65	28.010100.00	Cylinder Head	1
66	2.15.008	Spark Plug, F7RTC	1
67	83.040017.01	Oil Seal, Valve	1
68	83.040004.01	Guide Plate, Push Rod	1
69	1.5789.0865	Flange Bolt, M8 x 65	2
70	1.5789.0850	Flange Bolt, M8 x 50	2
71	2.01.020	Stud Bolt, M6 x 97	2
72	83.040010.01	Bolt, Rocker Arm	2
73	83.040005.01	Push Rod	2
74	83.040003.01	Spring, Valve	2
75	83.040009.01	Rocker Arm, Valve	2
76	83.040001.01	Retainer, Valve Spring	2
77	83.040014.01	Valve Collet	2
78	21.040020.00	Adjusting Nut, Valve	2
79	21.040021.00	Nut, Lock	2
80	83.080200.01	Air Shroud, Cylinder	1
81	23.020001.01	Breather Tube	1
82	83.021101.01	Cover, Cylinder Head	1
83	83.021001.01	Gasket, Cylinder Head Element	1
84	83.021200.01	Element Component, Head Cover	1
85	83.020002.01	Gasket, Cylinder Head Cover	1
86	28.050301.00	Ring, First Piston	1
87	28.050302.00	Ring, Second Piston	1
88	28.050303.00	Ring, Oil	1
89	2.09.002	Circlip, Ø16 x Ø1	2
90	28.050005.00	Piston	1
91	83.050003.01	Wrist Pin	1
92	83.050200.01	Connecting Rod Assembly	1
93	83.040100.01	Camshaft	1
94	83.031000.01	Oil Dipstick Assembly	1
95	83.030035.01	Oil Nipple	1
96	1.818.0306.1	Screw, M3 x 6, Black	2
97	81.132200.00	Stepper Motor	1
98	1.9074.1.0408	Screw/Washer Assembly, M4 x 8	2
99	82.132100.00	Base, Stepper Motor	1
100	1.819.0508	Screw, M5 x 8	1
101	81.130010.00	Spring, Connector	1
102	81.130008.00	Connector, Choke Valve Axis	1
103	83.131000.05	Carburetor	1
104	1.9074.3.0512	Screw/Washer Assembly, M5 x 12	1
105	81.130007.00	Pressure Plate, Choke Control Line	1
106	83.130005.03	Support, Stepper Motor	1
107	1.9074.3.0508	Screw/Washer Assembly, M5 x 8	2
108	83.131017.01	Main Jet, Standard	1
	83.131017.01.01	Main Jet, Altitude	/
109	83.061000.01	Recoil Assembly	1
110	83.091000.01	Air Cleaner Assembly	1
111	83.021000.01	Cylinder Head Cover Assembly	1

EN

The part numbers above are used for both UK and EU versions of the generator.

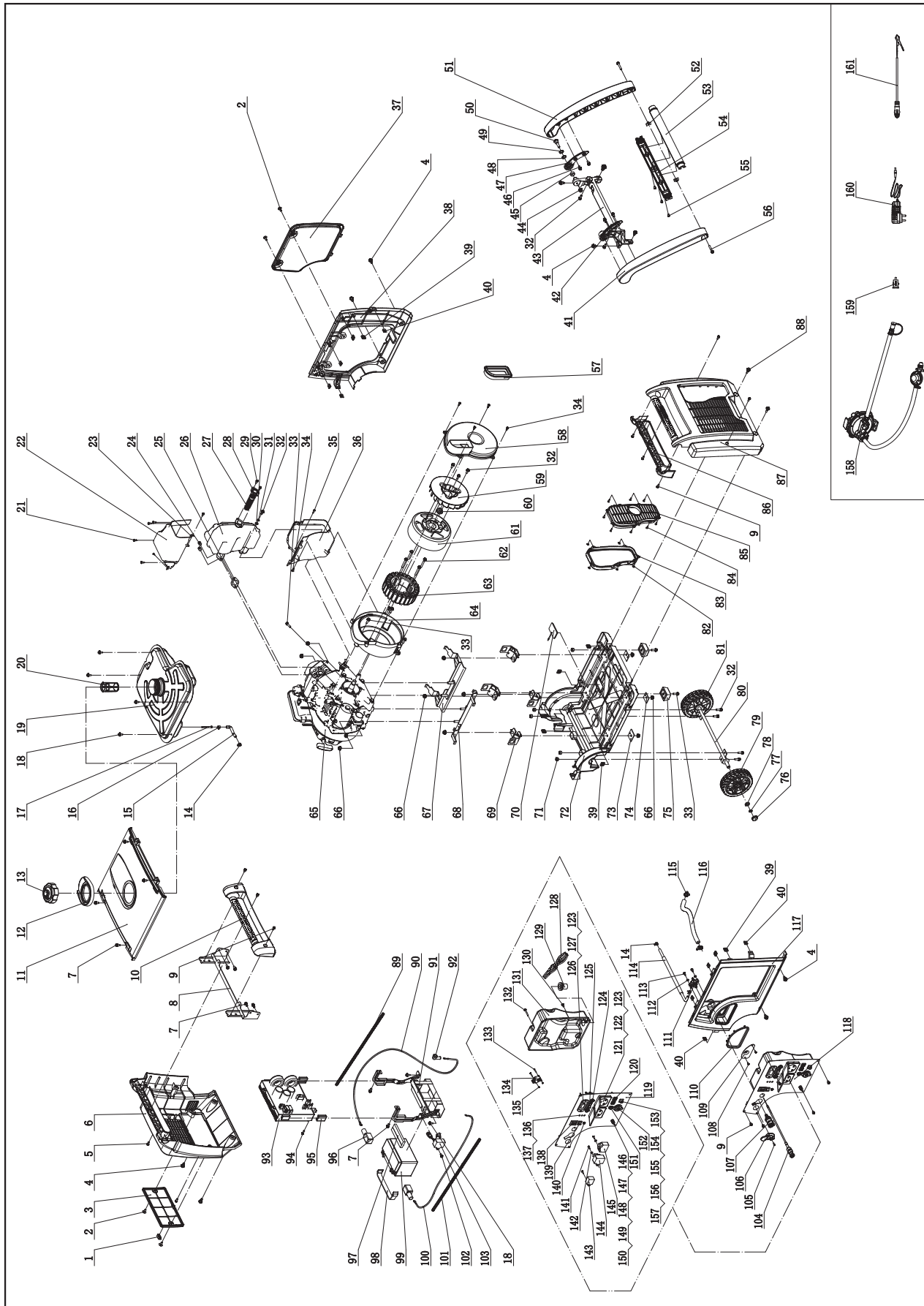
### Additional UK parts:

PART	DESCRIPTION
83.221000.00	240v 50hz Control unit
5.1110.000	240v 13amp Receptacle



# TECHNICAL DIAGRAMS

## 73001I-DF (EU/SC) PARTS DIAGRAM



## 73001I-DF (EU/SC) PARTS LIST

No	Part Number	Description	QTY
1	83.200205.02	Hasp, Maintenance Cover	1
2	2.08.055.1	Bolt, Maintenance Cover, Black	4
3	83.200204.02.2	Maintenance Cover, Battery, Black	1
4	2.08.052.1	Bolt, M6 x 16	10
5	1.9074.4.0516.1	Screw/Washer Assembly, M5 x 16, Black	4
6	83.200201.02.2	Cover, Left, Black	1
7	1.5789.0612	Flange Bolt, M6 x 12	11
8	83.201600.06	Supporter, Left	1
9	1.9074.4.0512.1	Screw/Washer Assembly, M5 x 12, Black	11
10	83.200701.02.2	Handle, Left, Black	1
11	83.200500.01.2	Cover, Top, Black	1
12	83.200502.01	Spillway, Fuel Tank	1
13	83.070100.02	Cap, Fuel Tank	1
14	2.06.016	Clamp, Ø8.7 x b8	3
15	83.070011.01	Fuel Pipe, Fuel Tank To Fuel Valve	1
16	2.06.018	Clamp, Ø10.5 x b8	1
17	111.070300.01	Fuel Filter, Fuel Pipe	1
18	2.08.068.2	Flange Bolt, M5 x 13	6
19	83.071000.02	Fuel Tank	1
20	83.070300.01	Fuel Filter, Fuel Tank	1
21	1.845.4213	Screw, ST4.2 x 13	6
22	83.081400.01	Muffler Protector Assembly, Upper	1
23	83.081004.01	Plate	1
24	2.02.001	Nut M6, Long	2
25	28.100001.00	Gasket, Exhaust	1
26	83.101100.01	Muffler Assembly	1
27	46.101300.08	Spark Arrester Assembly	1
28	46.101503.08	Plate, Spark Arrester	1
29	1.9074.4.0514	Screw/Washer Assembly, M5 x 14	2
30	1.97.1.06	Washer, Ø6	1
31	1.93.06	Lock Washer, Ø6	4
32	1.5789.0615	Flange Bolt, M6 x 15	10
33	1.5789.0620	Flange Bolt, M6 x 20	6
34	1.845.4816	Screw, ST4.8 x 16	6
35	1.845.4219	Screw, ST4.2 x 19	1
36	83.081500.01	Muffler Protector Assembly, Lower	1
37	83.200402.01.2	Protector, Rear Cover, Black	1
38	83.200401.01.2	Supporter, Rear Cover, Black	1
39	2.02.014	Nut M6, Square	12
40	2.02.010	Cage Nut, M5	8
41	83.200701.03.2	Handle, Left, Black	1
42	83.200704.01.2	Bracket, Left, Black	1
43	83.201600.05	Supporter, Right	1
44	1.6187.1.08	Lock Nut M8, Flange	2
45	2.13.001	Bushing, Ø13.3 x Ø19.3 x 8	2
46	1.5789.0612.1	Flange Bolt, M6 x 12, Black	4
47	83.200704.02.2	Bracket, Right, Black	1
48	2.03.001	Bushing, Ø13.3 x Ø19.3 x 2	2
49	2.03.002	Washer, Ø13 x Ø20 x 2.5	2
50	2.08.002	Bolt, M8 x 28	2
51	83.200701.04.2	Handle, Right, Black	1
52	2.02.002	Nut M6, T-Style	2
53	83.200705.01.2	Handle, Upper, Black	1
54	83.200705.02.2	Handle, Lower, Black	1
55	1.9074.3.0512.1	Screw/Washer Assembly, M5 x 12, Black	3
56	1.5789.0635.1	Flange Bolt, M6 x 35, Black	2
57	83.190006.01	Rubber Sleeve, End Cover	1
58	83.190003.01	End Cover, Generator	1
59	83.190001.01	Fan, Generator	1
60	2.02.006	Flange Nut, M14 x 1.5	1
61	83.191100.01	Rotor Assembly	1
62	1.5789.0645	Flange Bolt, M6 x 45	4
63	83.191200.15	Stator Assembly	1
64	83.190002.01	End Cover, Mortor	1
65	28.691	Engine	1
66	1.6177.1.08	Lock Nut M8, Flange	12
67	83.201600.02	Supporter, Left	1
68	83.201600.01	Supporter, Right	1
69	83.201200.01	Motor Mount	4
70	83.200607.01	Plug, Oil Drain Hole	1
71	1.6182.06	Lock Nut M6	6
72	83.200601.01	Base Setting Component	1
73	83.200609.02	Steel Plate 2	2
74	83.200609.01	Steel Plate 1	2
75	83.201400.01	Rubber Pad	2
76	83.201702.01	Plug, Wheel	2
77	1.894.1.12	Retaining Ring, Ø12	2
78	1.848.12	Washer, Ø12	2
79	83.201701.02	5.5 in. Wheel, Right	1
80	83.201500.01	Axle	1

No	Part Number	Description	QTY
81	83.201701.01	5.5 in. Wheel, Left	1
82	83.200305.01	Spring Patch	5
83	83.200304.01	Rubber Seal, Muffler Cover	1
84	1.845.3595	Screw, ST3.5 x 9.5	8
85	83.200303.01.2	Muffler Cover, Black	1
86	83.200701.01.2	Handle, Right, Black	1
87	83.200302.01.2	Cover, Right Side, Black	1
88	2.08.075.1	Bolt, M6 x 20, Black	2
89	5.1320.023	Plastic Corrugated Pipe, Ø6.8 x Ø10 x 530	1
90	5.1900.019	Red Wire, Battery, 600 mm	1
91	83.200018.01	Holder, Control Unit and Battery	1
92	152.200013.01	Sheath, Rubber	1
93	83.221000.94	Control Unit, 3.1KW, 240V/50Hz, Parallel	1
94	1.16674.0516	Flange Bolt, M5 x 16	1
95	81.220001.00	Protector, Control Unit	2
96	122.200013.01	Sheath, Rubber	2
97	83.200908.01	Fixation Bar, Sponge	1
98	122.200904.00	Pinch, Rubber	1
99	9.1000.070	Battery, 149.5 x 85 x 94, 7AH	1
100	5.1900.060	Black Wire, Battery, 600 mm	1
101	5.1320.022	Plastic Corrugated Pipe, Ø6.8 x Ø10 x 450	1
102	1.16674.0512	Flange Bolt, M5 x 12	1
103	5.1800.003	Rectifier	1
104	83.130200.01	Pull Choke Assembly	1
105	1.823.0410	Screw, M4 x 10	1
106	87.070001.01	Knob, Fuel Valve	1
107	87.070021.01	Quick Coupler	1
108	1.823.0408	Screw, M4 x 8	2
109	83.061200.01.2	Guide Plate, Rope, Black	1
110	83.200106.01	Protector, Front Cover	1
111	83.070400.01	Fuel Valve	1
112	1.97.1.05	Washer, Ø5	2
113	1.845.4819	Screw, ST4.8 x 19	2
114	83.070011.02	Fuel Pipe, Fuel Valve To Carburetor	1
115	2.06.023	Clip, Ø20	2
116	87.070012.01	Pipe, 280mm	1
117	87.200101.01.2	Front Cover, Dual Fuel, Black	1
118	73001I-DF.21	Control Panel Assembly	1
119	83.019.44.45	Control Panel, Yellow	1
120	83.210001.00.1	Connect Port, 125V/25A, Black	2
121	5.1120.011	Receptacle	1
122	1.819.0414	Screw M4 x 14	8
123	1.6177.1.04.1	Lock Nut M4, Flange, Black	10
124	5.1200.215	A.C 15A Breaker, Push Button	2
125	5.1000.000.3	Switch, Battery, Red	1
126	5.1430.002	Intelligauge	1
127	1.9074.4.0414.1	Screw M4 x 14, Black	2
128	73001I-DF.21.10	Wire Assembly	1
129	122.210003.01	Grommet	1
130	1.9074.4.0512	Screw/Washer Assembly, M5 x 12	1
131	87.210002.01	Control Box	1
132	1.9074.1.0535	Screw/Washer Assembly, M5 x 35	1
133	1.823.0325	Screw, M3 x 25	2
134	5.1050.000	Switch	1
135	1.6170.03	Nut M3	2
136	83.210016.00	Speed Limiter	1
137	1.818.0514.3	Screw, M5 x 14, Green	2
138	5.1000.001	Ignition Switch, Red	1
139	5.1010.003.1	Switch, Economy, Black	1
140	5.1110.006	Receptacle, Battery Charger	1
141	1.845.3516	Screw, ST3.5 x 16	3
142	1.97.1.04	Washer, Ø4	2
143	5.1840.002	Case, Power Supply	1
144	5.1820.001	Charger	1
145	5.1800.004	Rectifier	1
146	1.5783.0520.3	Bolt, M5 x 20, Green	1
147	1.862.05	Lock Washer, Ø5, Toothed	1
148	1.6170.05.3	Nut M5, Green	2
149	1.93.05.3	Lock Washer, Ø5, Green	2
150	1.97.1.05.3	Washer, Ø5, Green	2
151	5.1200.308	8Amp Circuit Breaker, Push Button	1
152	5.1110.005	Receptacle, DC.12V	1
153	5.1910.001	Special Receptacle	1
154	1.818.0210.3	Screw M2 x 10, Green	4
155	1.93.02.3	Spring Washer Ø2, Green	4
156	1.97.1.02.3	Washer Ø2, Green	4
157	1.6170.02.3	Nut M2, Green	4
158	87.130000.93	LPG Hose With Regulator	1
159	9.1700.003	Plug, USB 5V/2.1A	1
160	9.1700.006	Smart Charger, 12V	1
161	9.1600.012	Cables, 12V, 2m	1

EN

Page intentionally left blank.

Page intentionally left blank.

**CHAMPION**

**GLOBAL POWER EQUIPMENT**

TM-MC