



PRODUCT DATA SHEET

DGI 02.06.02

REFERENCE

DESCRIPTION

REV

DATE

SCG60

ELECTROLYSIS OF SALT For POOL UNTIL 60 m3

0

29/10/18

CHARACTERISTICS

EAN13 CODE: 8412081273662

CONTROL BOX SIZE : 19.5 x 13 x 26 cm

CONTROL BOX WEIGHT : 2,760 kg

CHLORINATOR SIZE: Ø 16 x 16 x 34 cm

CHLORINATOR WEIGHT: 1,300 kg

WITHOUT PLUG

For POOL UNTIL 60 m3

CHLORINE PRODUCTION: 12 gr / h

GRE SALT SYSTEM



PACKAGING

UNITS: 1

PACKAGING SIZE: 48 x 26 x 34 cm

PACKAGE VOLUME: 0,042 m³

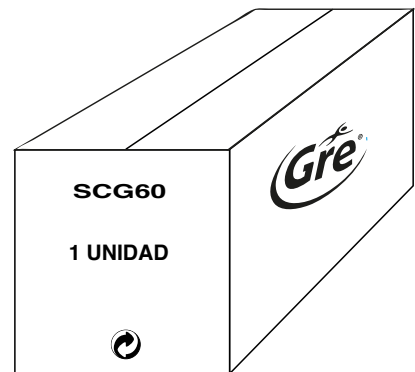
UNIT WEIGHT: 6,880 kg

BOX WEIGT : 0,480 kg

CONTENT 2 BOXES:

CHLORINATOR BOX: 45 x 24.5 x 15 cm (260 g)

CELULA BOX: 33 x 17 x 18.5 cm (220 g)



PALETS

PALET SIZE: 120 X 80 X 15 cm

TOTAL SIZE PALET: 120 X 80 X 151 cm

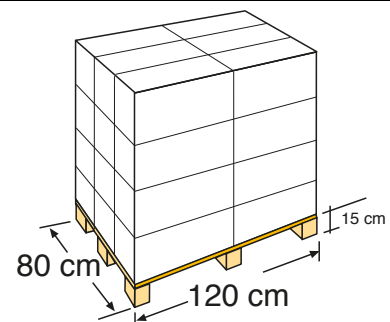
TOTAL VOLUME: 1,44 m³

4 LAYERS X 6 BOXES

TOTAL PACKAGES PALET: 24

UNITS PALET: 24

TOTAL WEIGHT PALET: 185,120 kg



NOTES

FOR ABOVE GROUND AND IN GROUND POOLS