

# FISKARS®

**File name:** 1069101\_X-series\_X13\_Hiking axe  
**Project:** Wood prep | X-series 5th Generation  
**Designer | Agency:** Chris Bell | Aivan Oy  
**Revised by:** Peter Kaitila | Aivan Oy

**Design date:** 04.10.2021  
**Revision date:** **05.07.2023 10:27**

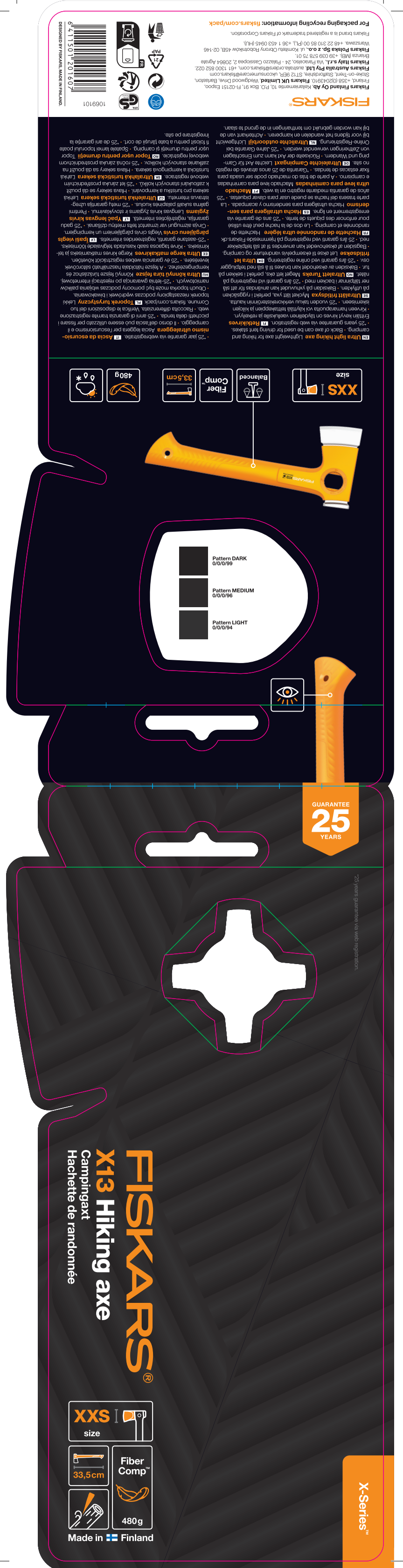
**Artwork version:** 6.0  
**Approver:** Evalyna Nganga | Fiskars Terra

**Blank size:** 104 x 440 mm  
**Packaging spec:** S45635  
**Spec revision:** 03/08/2022

**Amount of colours:** 5  
**Used colours:** PMS 144 C  
 CMYK

**Surface treatment:** Matt Antislip varnish  
**Note:** Do not use mineral oil based colours or varnishes

**Other info:** New diecut 18.08.2022  
 SAP code added 18.08.2022  
 EAN code added 18.08.2022  
 Icons turned clockwise 26.08.2022  
 Modified PL/DK texts, added italian recycle information and general recycling URL, made changes to icons, updated inside axe chart 02.12.22  
 Corrected inside info and blade size in the front, adjusted background pattern, hid the GS-marking 13.03.23  
 Added GS-marking 29.05.23  
 Corrected accent grey to 0/0/0/60 05.07.2023



# FISKARS®

**File name:** 1069101\_X-series\_X13\_Hiking axe  
**Project:** Wood prep | X-series 5th Generation  
**Designer | Agency:** Chris Bell | Aivan Oy  
**Revised by:** Peter Kaitila | Aivan Oy  
 Miska Seppänen | Fiskars  
**Design date:** 04.10.2021  
**Revision date:** **05.07.2023 10:27**  
**Artwork version:** 6.0  
**Approver:** Evalyna Nganga | Fiskars Terra











**Blank size:** 104 x 440mm  
**Packaging spec:** S45635  
**Spec revision:** 03/08/2022

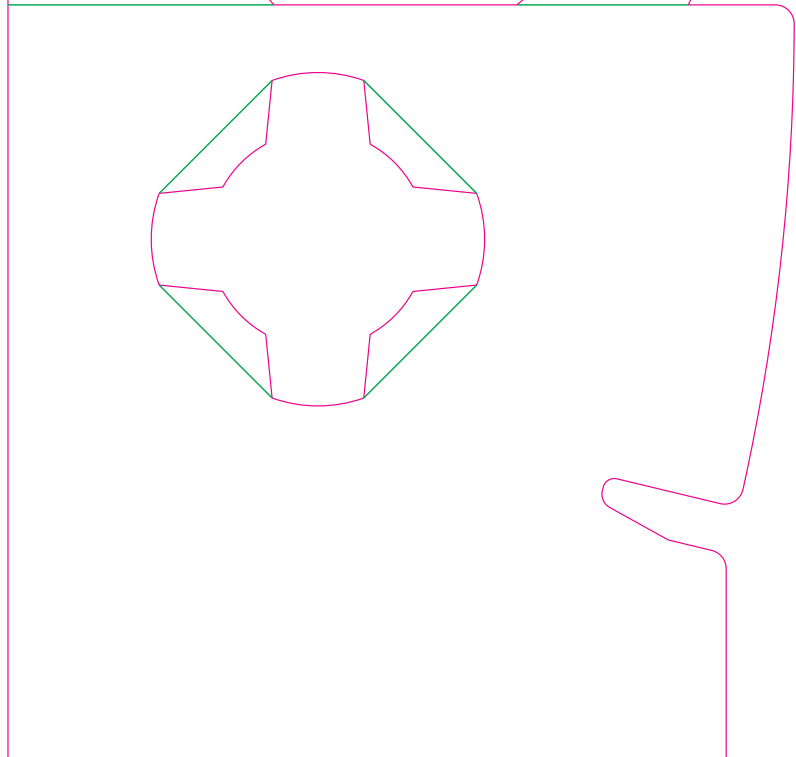
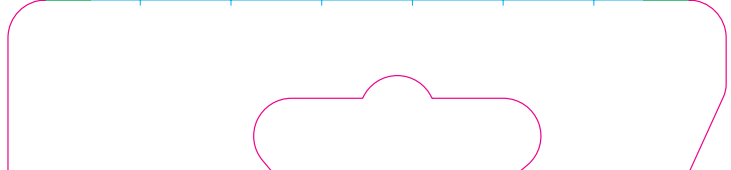
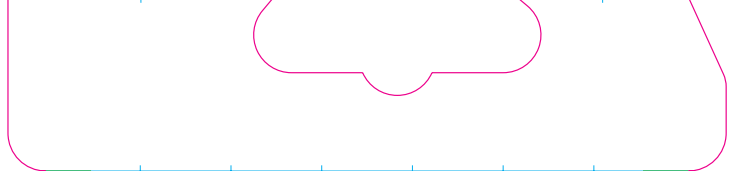
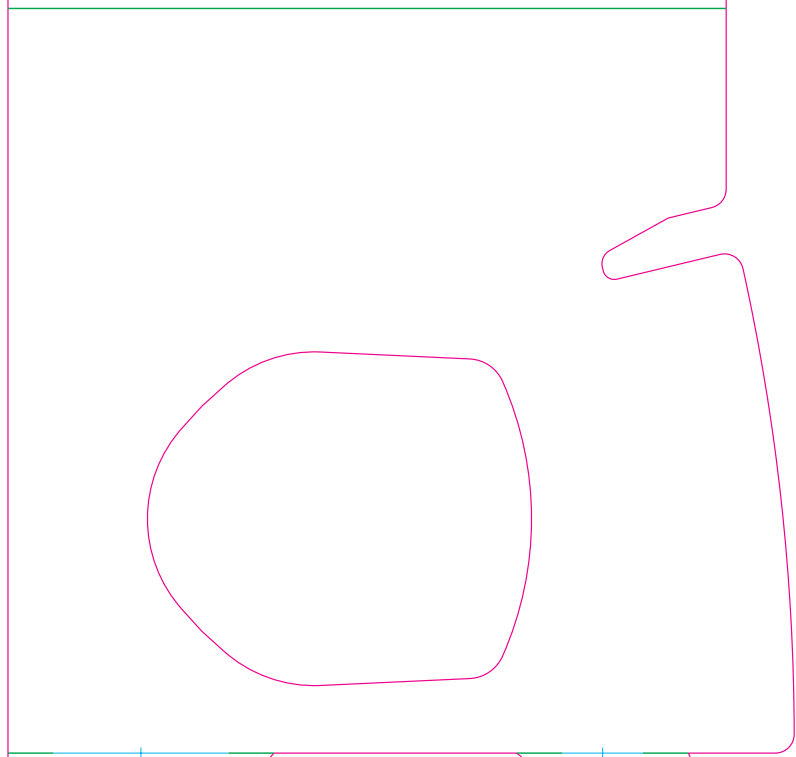
**Amount of colours:** 4  
**Used colours:** CMYK  
**Surface treatment:** Matt Antislip varnish  
**Note:** Do not use mineral oil based colours or varnishes










**Other info:** New diecut 18.08.2022  
 SAP code added 18.08.2022  
 EAN code added 18.08.2022  
 Icons turned clockwise 26.08.2022  
 Modified PL/DK texts, added italian recycle information and general recycling URL, made changes to icons, updated inside axe chart 02.12.22  
 Corrected inside info and blade size in the front, adjusted background pattern 13.03.23  
 Added GS-marking 29.05.23  
 Corrected accent grey to 0/0/0/60 05.07.2023



## Fiskars X-series™

	<b>X13</b> 33,5 cm 0,48 kg log ø <3 cm 	 <b>XXS</b> size	
	<b>X14</b> 35,5 cm 0,74 kg log ø <7 cm 	 <b>XS</b> size	
	<b>X18</b> 44,5 cm 1 kg log ø <10 cm 	 <b>S</b> size	
	<b>X24</b> 60 cm 1,6 kg 	 <b>M</b> size	



	<b>X24S</b> 60 cm 1,3 kg log ø 10-20 cm	 <b>S</b> size	
	<b>X24M</b> 60 cm 1,7 kg log ø 20-30 cm	 <b>M</b> size	
	<b>X28</b> 71 cm 1,8 kg log ø 20-30 cm	 <b>M</b> size	
	<b>X32</b> 81,5 cm 2,4 kg log ø >30 cm	 <b>L</b> size	
	<b>X36</b> 91,5 cm 2,5 kg log ø >30 cm	 <b>L</b> size	