



PRODUCT DATA SHEET

DGI 02.06.02

REFERENCE	DESCRIPTION	REV	DATE
UVC25	GRE 25W UV CLARIFIER - EU / DESINFECTADOR ULTRA VIOLETA	0	20/4/21

NEW COLLECTION 2022

CHARACTERISTICS

EAN CODE: 8412081319087

GRE 25W UV CLARIFIER - EU / DESINFECTADOR ULTRA VIOLETA

POWER: 25 W

MEASURE: 55 x 20 x 9 cm

WEIGHT: **3,300** Kg.

ELECTRIC WEIGHT:



PACKAGING

UNTIS: 1

PACKAGING MEASURE: 66 X 32 X 14 cm

PACKAGING VOLUME: 0,081 m³

UNIT WEIGHT: **3,500** kg

WEIGHT EMPTY PACKAGING: **0,200** kg

1 LABEL PER PACKAGING

TOTAL CARTON: ? g. - TOTAL PLASTIC: ? g.



PALLETIZATION

MEASURES PER PALLET: 120 X 80 X 15 cm

MEASURES INCL. PALLET: 120 X 84 X 125 cm

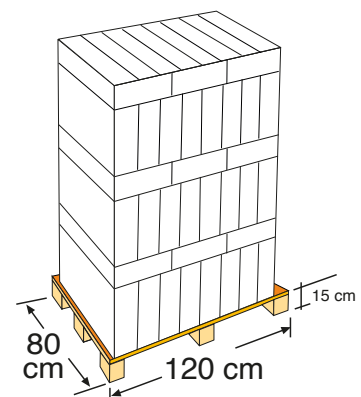
FULL PALLET VOLUME: 1,2 m³

33 BOXES

TOTAL UNITS PER PALLET: 33

WHITE IDENTIFICATION LABEL

TOTAL WEIGHT WITH PALLET: **135,5** kg



NOTES

PARTIDA ARANCELARIA: 84212100